



Chipsmall Limited consists of a professional team with an average of over 10 year of expertise in the distribution of electronic components. Based in Hongkong, we have already established firm and mutual-benefit business relationships with customers from,Europe,America and south Asia,supplying obsolete and hard-to-find components to meet their specific needs.

With the principle of “Quality Parts,Customers Priority,Honest Operation,and Considerate Service”,our business mainly focus on the distribution of electronic components. Line cards we deal with include Microchip,ALPS,ROHM,Xilinx,Pulse,ON,Everlight and Freescale. Main products comprise IC,Modules,Potentiometer,IC Socket,Relay,Connector.Our parts cover such applications as commercial,industrial, and automotives areas.

We are looking forward to setting up business relationship with you and hope to provide you with the best service and solution. Let us make a better world for our industry!



Contact us

Tel: +86-755-8981 8866 Fax: +86-755-8427 6832

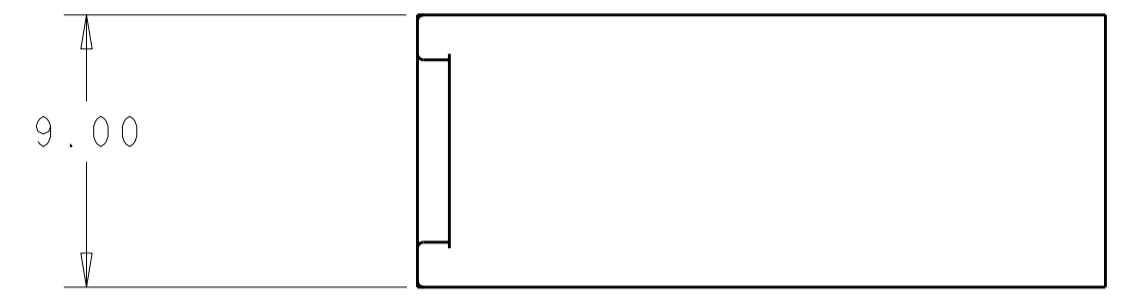
Email & Skype: info@chipsmall.com Web: www.chipsmall.com

Address: A1208, Overseas Decoration Building, #122 Zhenhua RD., Futian, Shenzhen, China

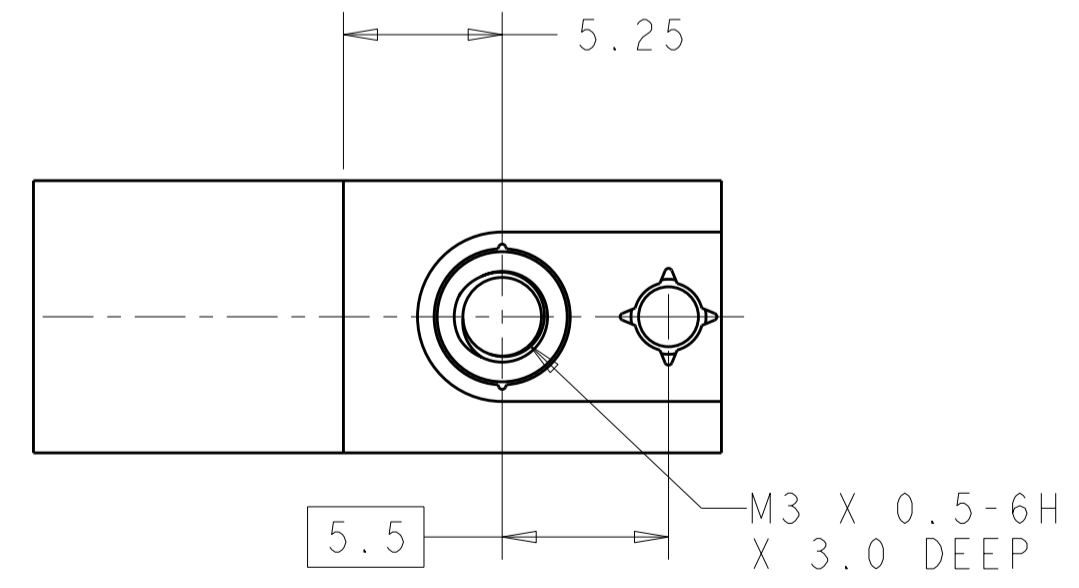
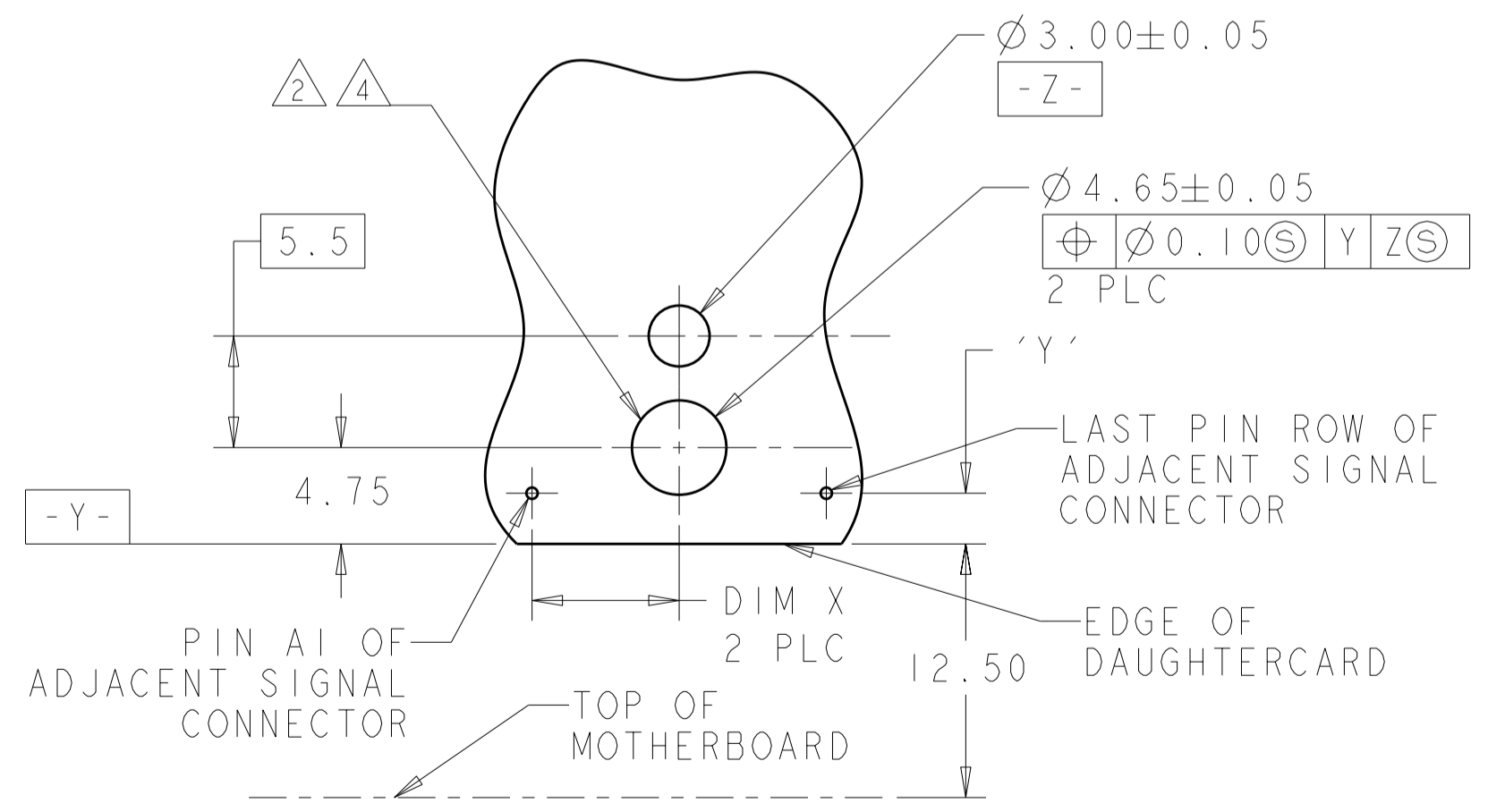
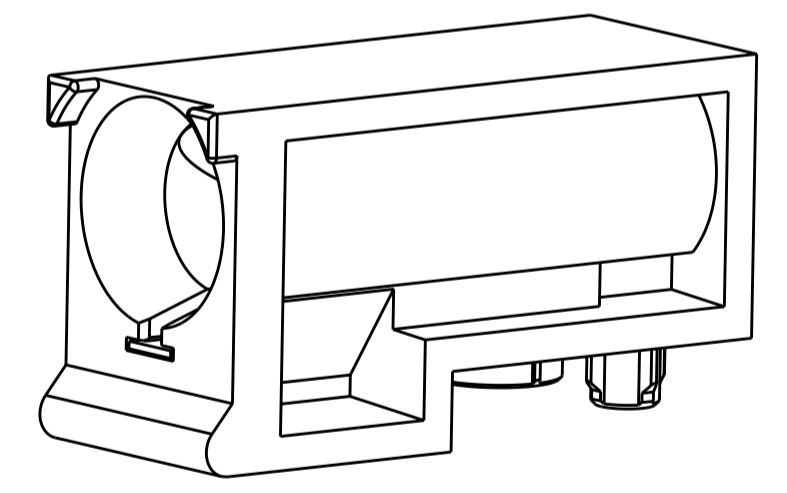
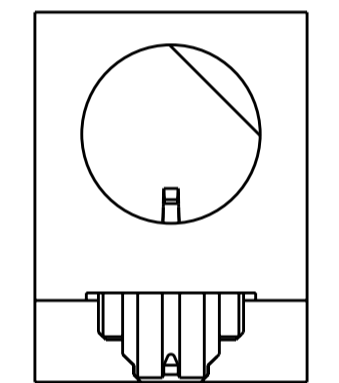
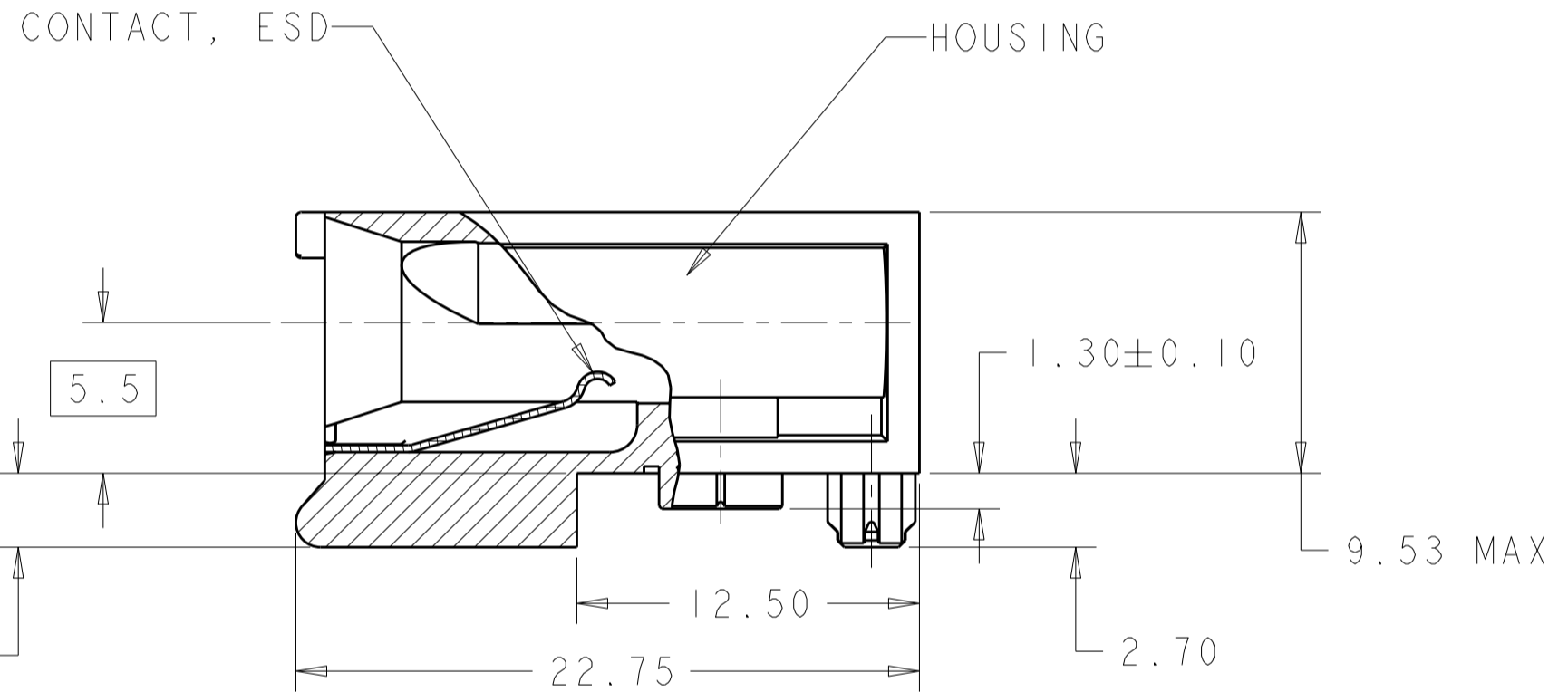
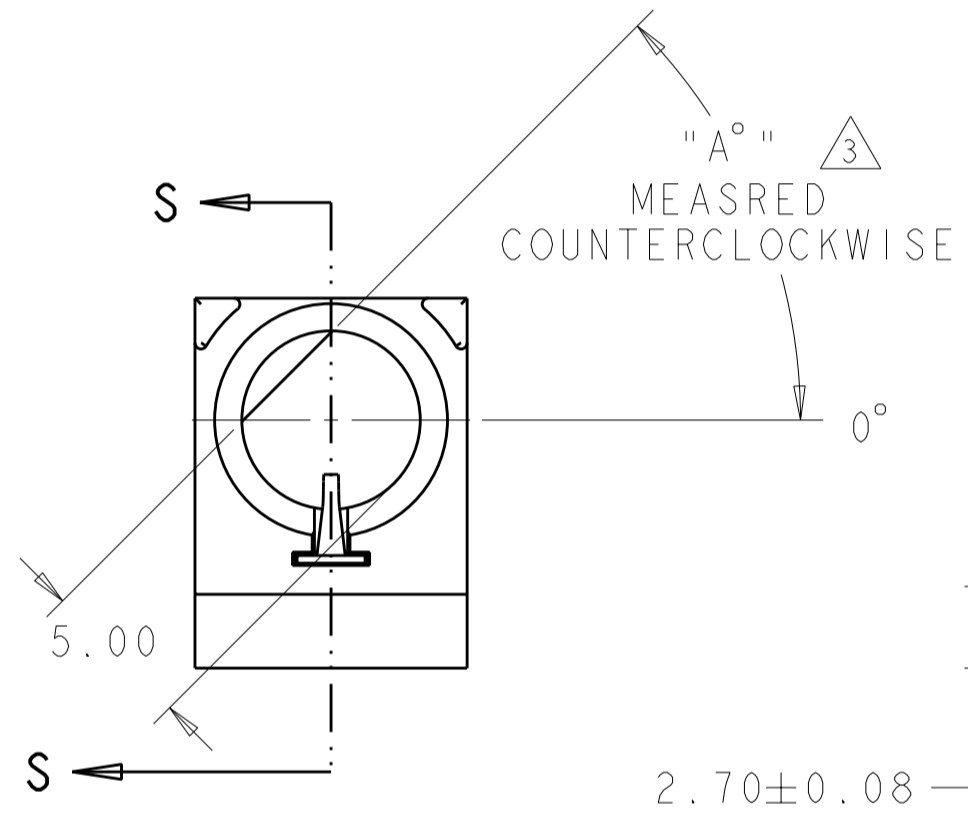


LOC	DIST	REVISIONS			
P	LTR	DESCRIPTION	DATE	DWN	APVD
AD	00	A	RELEASED PER RTS 359806.1	04AUG2010	WS RP

PART NO.	"A" °	HOUSING	CONTACT
1410338-1	0°	△5	△6
1410338-2	45°	△5	△6
1410338-3	90°	△5	△6
1410338-4	270°	△5	△6
1410338-5	315°	△5	△6
1410338-6	△7	△5	△6



- 1 MATERIAL: HOUSING: ZINC ALLOY DIE CASTING, ZAMAK 3; CONTACT: PHOSPHOR BRONZE
- 2 HOLE FOR POSITIVE RETENTION SCREW.
- 3 DASH NUMBERS INDICATE KEY ORIENTATION (P/N 1410338-2 SHOWN ON DRAWING)
- 4 GROUND PAD Ø5mm ON BOTH SIDE OF PCB.
- 5 FINISH: 3.0µm MIN NICKEL OVER COPPER
- 6 CONTACT FINISH: 1.27µm MINIMUM NICKEL ALL OVER
- 7 GUIDE MODULE W/O KEYING
GUIDE PIN 1410337 SERIES MUST BE ORIENTED TO PROVIDE PROPER ESD PERFORMANCE



7.25	1410338
DIM X ADJACENT TO TIER 1 OR TIER 2 ASSEMBLY	PART NO

'Y'	PRODUCT
2.5	TIER 1
2.25	TIER 2
1.50	TIER 2 (7-ROW)

THIS DRAWING IS A CONTROLLED DOCUMENT FOR TYCO ELECTRONICS CORPORATION IT IS SUBJECT TO CHANGE AND THE CONTROLLING ENGINEERING ORGANIZATION SHOULD BE CONTACTED FOR THE LATEST REVISION.		DWN: 04AUG2010 W. SOURBEER CHK: 04AUG2010 B. PATERSON APVD: -	Tyco Electronics Harrisburg, PA 17105-3608
DIMENSIONS: mm 	TOLERANCES UNLESS OTHERWISE SPECIFIED: 0 PLC ±.5 1 PLC ±.13 2 PLC ±.01 3 PLC ±.01 4 PLC ±0.0001 ANGLES FINISH	PRODUCT SPEC: 108-2072 APPLICATION SPEC: 114-13056 WEIGHT: -	NAME: MULTIGIG GUIDE MODULE/STANDOFF, RIGHT ANGLE, 20.3mm, DAUGHTERCARD SIZE: A2 CAGE CODE: 00779 DRAWING NO: 1410338 RESTRICTED TO: -
MATERIAL: △1 -		CUSTOMER DRAWING SCALE 4:1 SHEET OF REV A	