



Chipsmall Limited consists of a professional team with an average of over 10 year of expertise in the distribution of electronic components. Based in Hongkong, we have already established firm and mutual-benefit business relationships with customers from,Europe,America and south Asia,supplying obsolete and hard-to-find components to meet their specific needs.

With the principle of "Quality Parts,Customers Priority,Honest Operation,and Considerate Service",our business mainly focus on the distribution of electronic components. Line cards we deal with include Microchip,ALPS,ROHM,Xilinx,Pulse,ON,Everlight and Freescale. Main products comprise IC,Modules,Potentiometer,IC Socket,Relay,Connector.Our parts cover such applications as commercial,industrial, and automotives areas.

We are looking forward to setting up business relationship with you and hope to provide you with the best service and solution. Let us make a better world for our industry!



Contact us

Tel: +86-755-8981 8866 Fax: +86-755-8427 6832

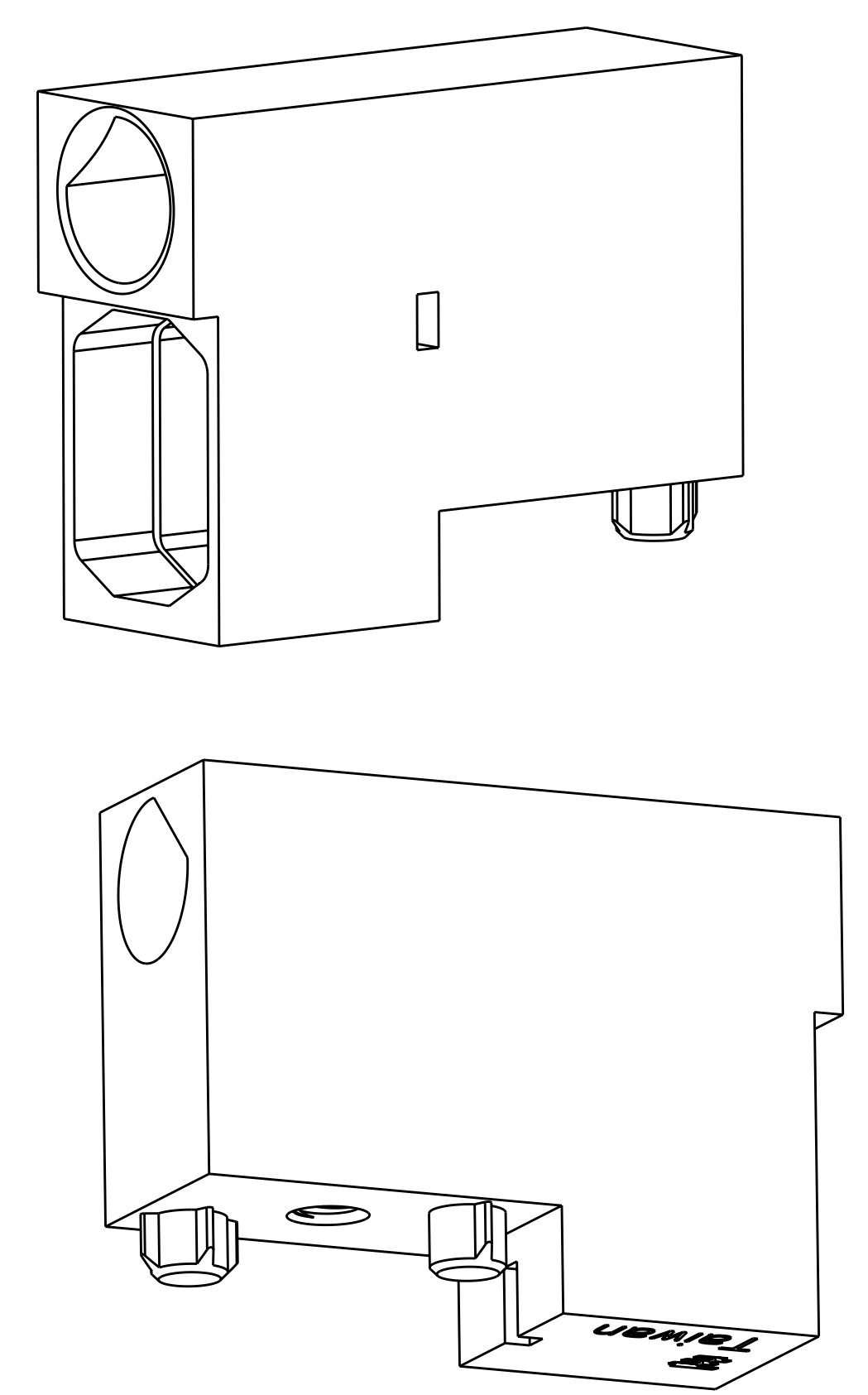
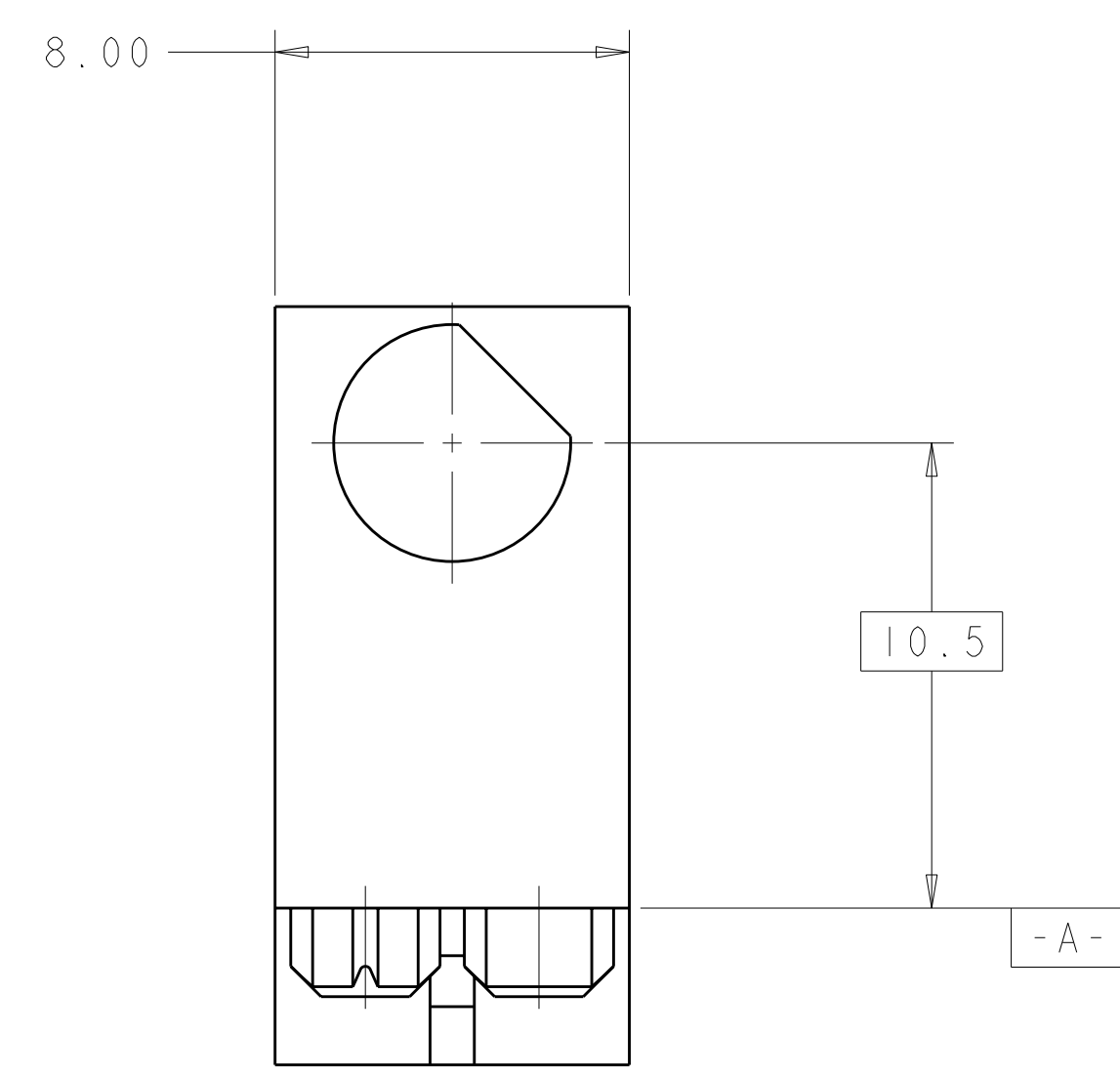
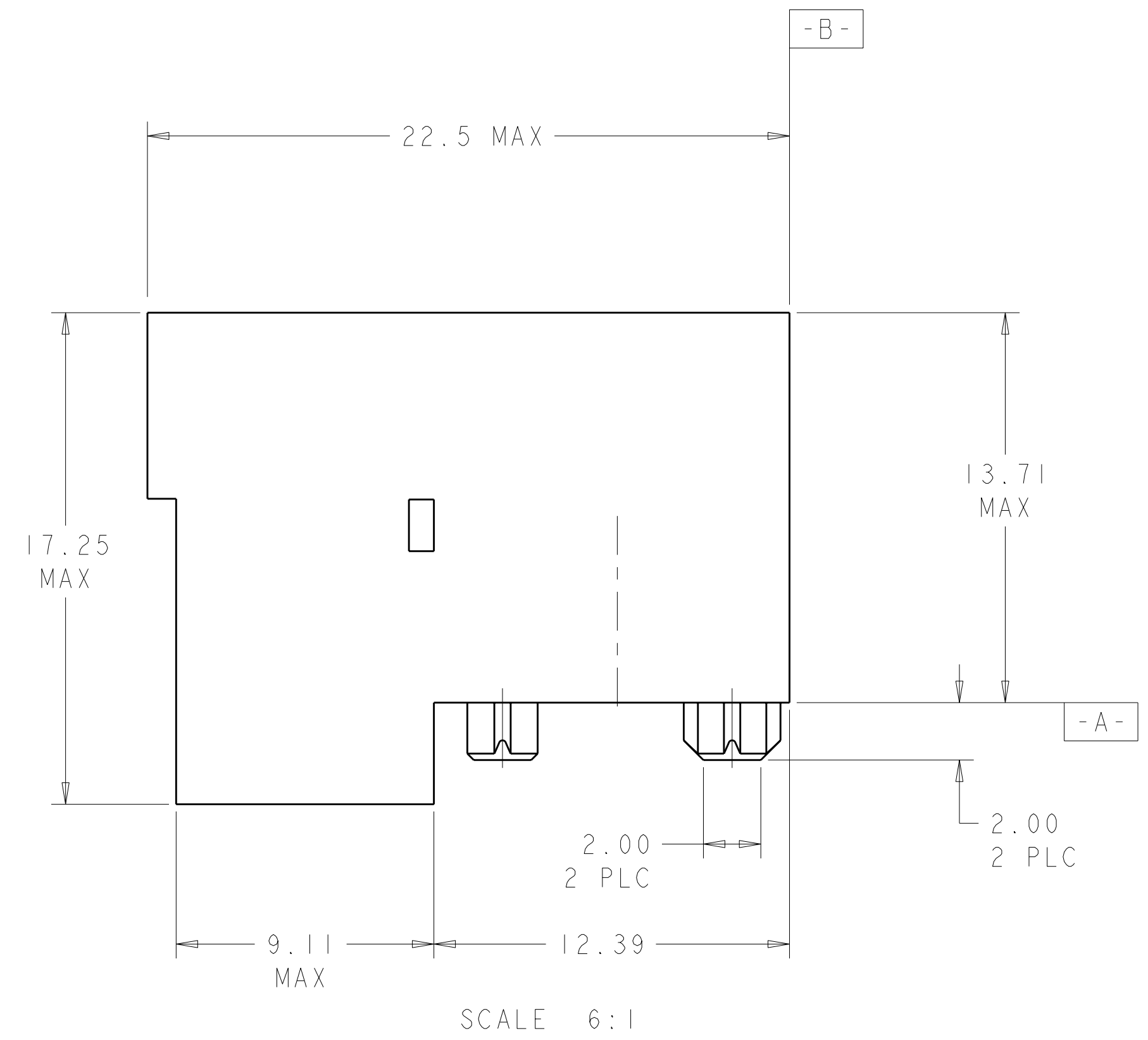
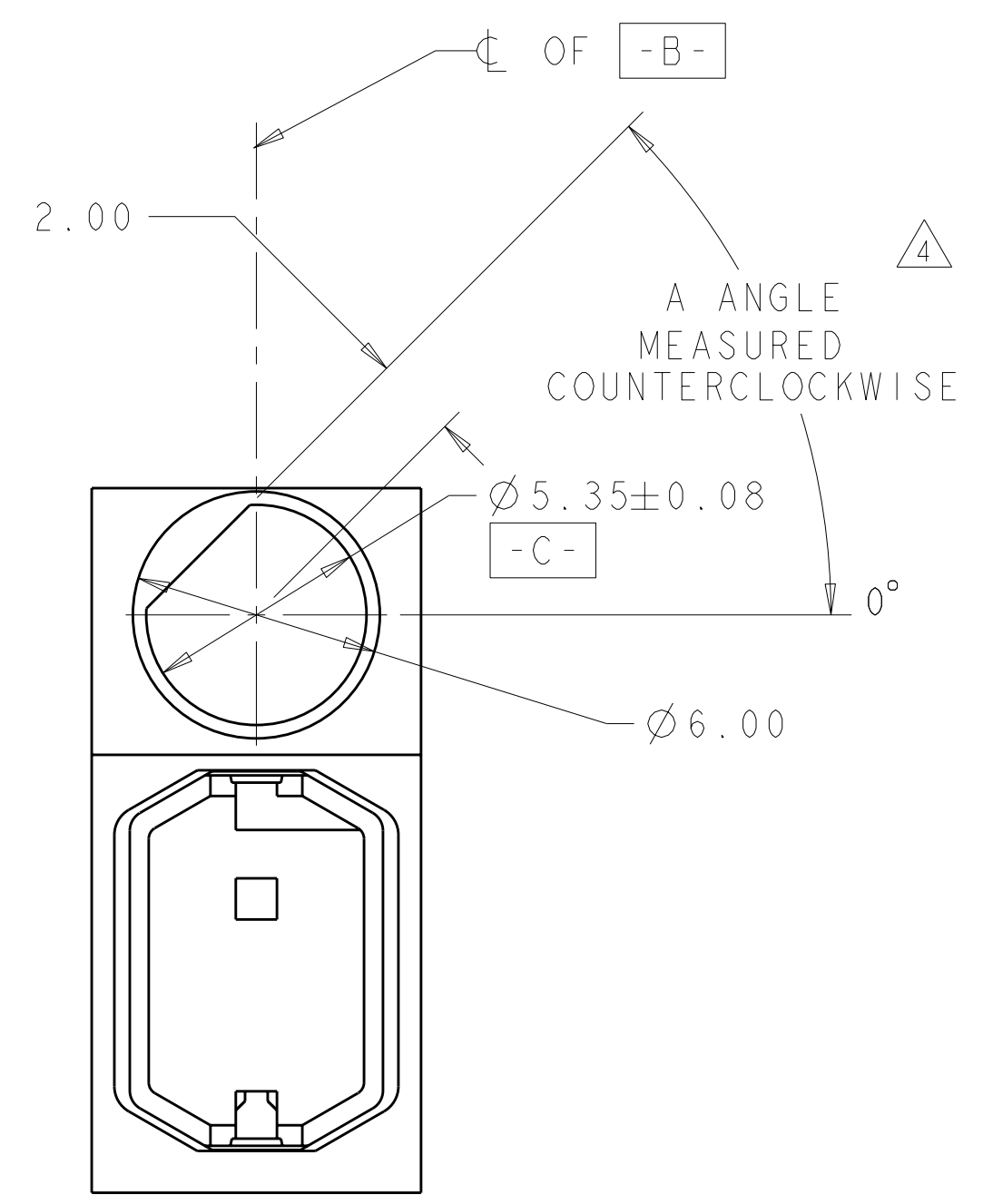
Email & Skype: info@chipsmall.com Web: www.chipsmall.com

Address: A1208, Overseas Decoration Building, #122 Zhenhua RD., Futian, Shenzhen, China

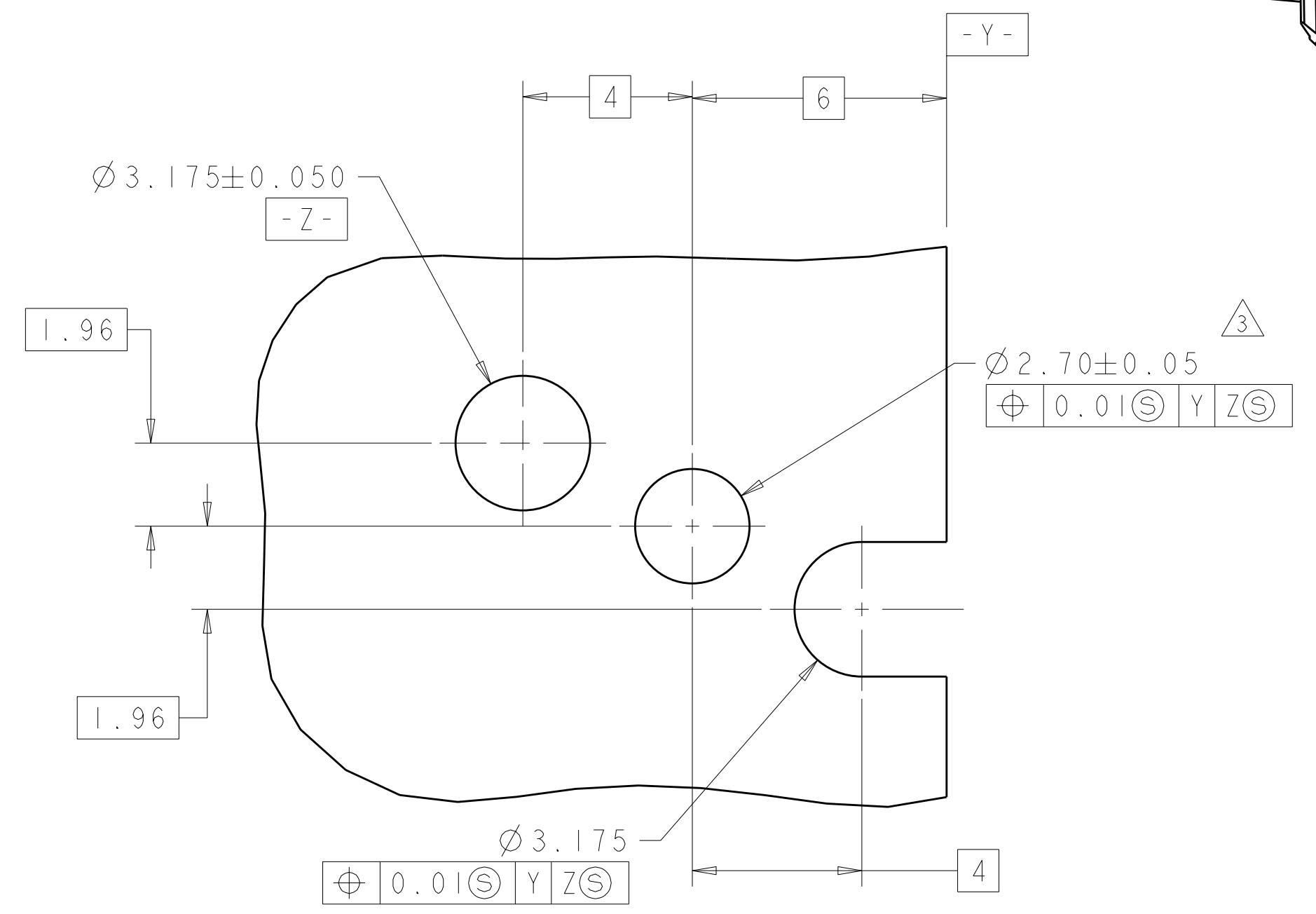
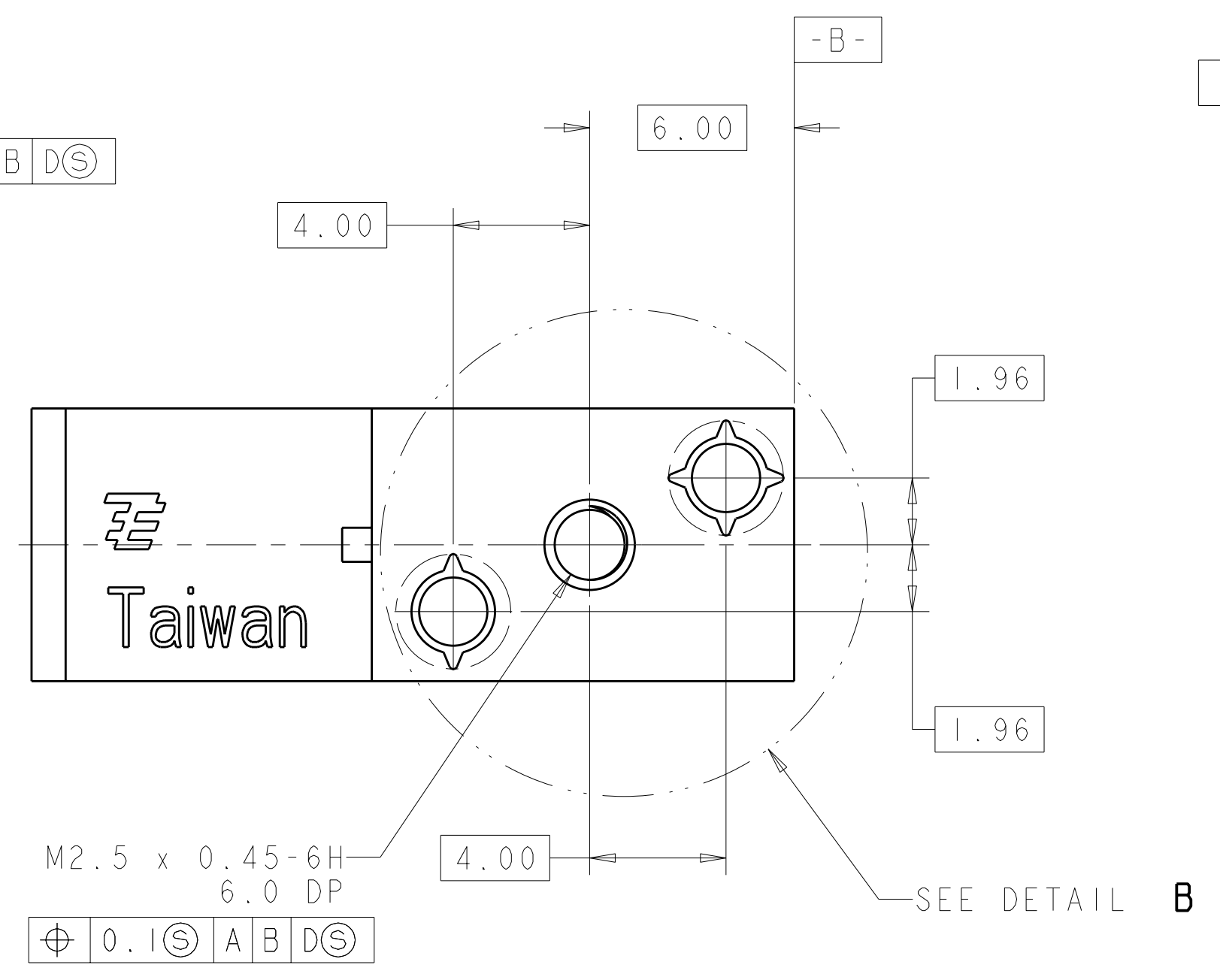
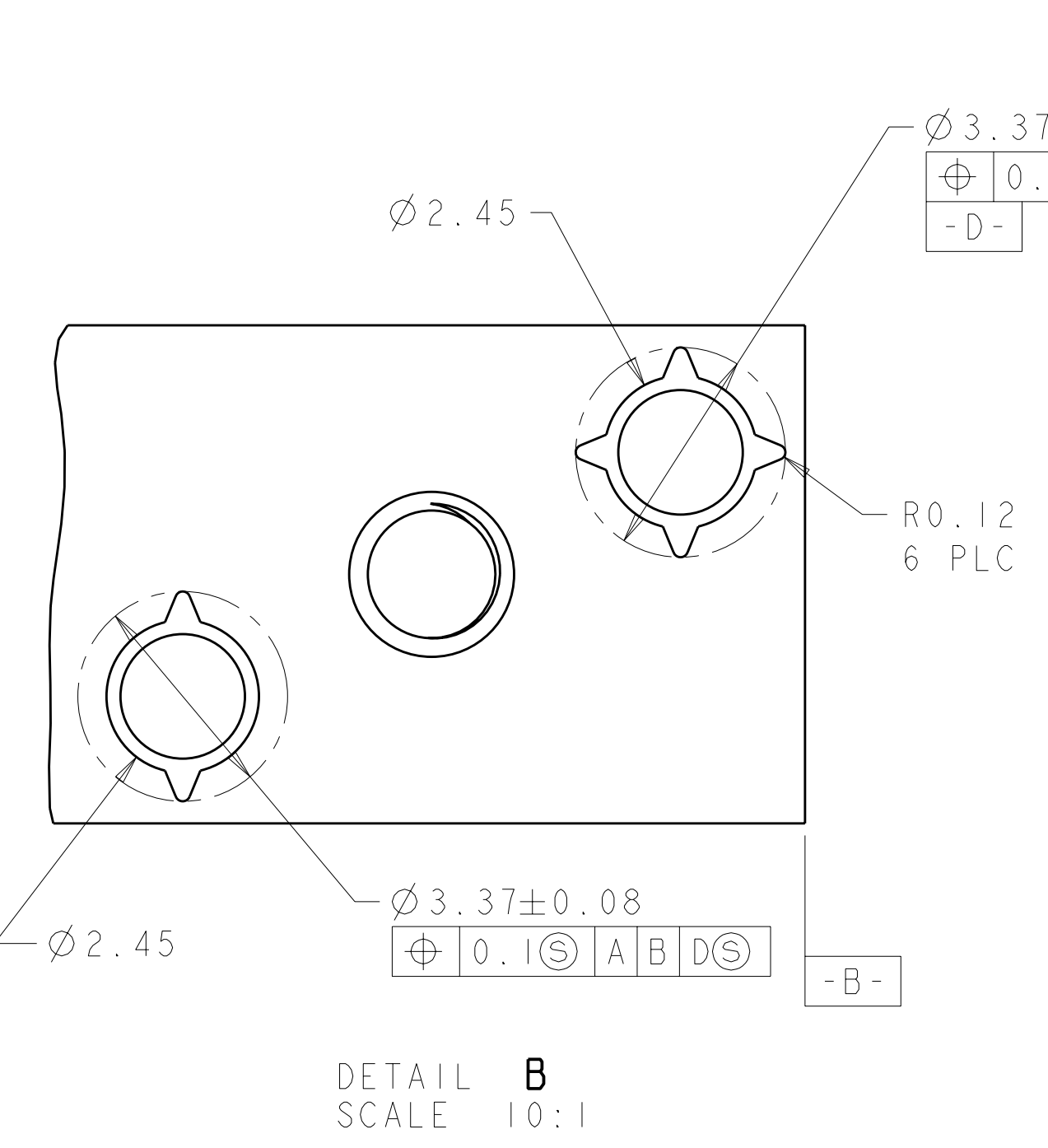


REVISONS		DATE	DWN	APVD
1	PROPOSED	24APR09	RT	GG
2	REVISED NOTE 1 AND 2	12MAY2009	RT	GG
A	RELEASED	16JUN2009	RT	RP
B	REV PER ECO-10-006114	13APR2010	BC	DY

- ZINC ALLOY
 - FINISH: CLEAR CHROMATE
- △ HOLE FOR POSITIVE RETENSION SCREW
- △ DASH NUMBERS INDICATE KEY ORIENTATION



SHOWING 1410465-2



PCB LAYOUT
CONNECTOR SIDE
ALL HOLES AND FEATURES
(ARE NON PLATED THROUGH HOLES)

FINISH	ANGLE	PART NUMBER
NO FLAT	1410465-9	
315°	1410465-8	
270°	1410465-7	
225°	1410465-6	
180°	1410465-5	
135°	1410465-4	
90°	1410465-3	
45°	1410465-2	
0°	1410465-1	

DWN: R. TREA 24APR2009		Tyco Electronics Harrisburg, PA 17105-3608	
CHK: G. GRIFFITH 24APR2009		NAME: KEYING/GUIDE RECEPTACLE, VITA 41	
APVD: D. YI 13APR2010		SIZE: CAGE CODE: DRAWING NO: A100779C=1410465	
DIMENSIONS: mm		RESTRICTED TO	
TOLERANCES UNLESS OTHERWISE SPECIFIED:		SCALE: 5:1 SHEET 1 OF 1 REV B	
9 PLC ±		CUSTOMER DRAWING	
1 PLC ±0.13			
5 PLC ±0.013			
4 PLC ±			
ANGLES ±			
FINISH			