



Chipsmall Limited consists of a professional team with an average of over 10 year of expertise in the distribution of electronic components. Based in Hongkong, we have already established firm and mutual-benefit business relationships with customers from,Europe,America and south Asia,supplying obsolete and hard-to-find components to meet their specific needs.

With the principle of “Quality Parts,Customers Priority,Honest Operation,and Considerate Service”,our business mainly focus on the distribution of electronic components. Line cards we deal with include Microchip,ALPS,ROHM,Xilinx,Pulse,ON,Everlight and Freescale. Main products comprise IC,Modules,Potentiometer,IC Socket,Relay,Connector.Our parts cover such applications as commercial,industrial, and automotives areas.

We are looking forward to setting up business relationship with you and hope to provide you with the best service and solution. Let us make a better world for our industry!



Contact us

Tel: +86-755-8981 8866 Fax: +86-755-8427 6832

Email & Skype: info@chipsmall.com Web: www.chipsmall.com

Address: A1208, Overseas Decoration Building, #122 Zhenhua RD., Futian, Shenzhen, China



Connector - PRC 3-FC-FS6 8-12 - 1410658

Please be informed that the data shown in this PDF Document is generated from our Online Catalog. Please find the complete data in the user's documentation. Our General Terms of Use for Downloads are valid (<http://phoenixcontact.com/download>)



PRC connector, black, 3-pos., 1.5 mm² ... 6 mm²/630 V/35 A, with screw connection, for cables with a diameter of 8 mm ... 12 mm.



Key Commercial Data

Packing unit	1 STK
Weight per Piece (excluding packing)	80.0 g
Custom tariff number	85366990
Country of origin	Germany

Technical data

General data

Number of positions	3
Protection class	II
Color	black
Locking type	Snap-in locking
Insertion/withdrawal cycles	50
Pull-out-force	150 N ± 50 N
Insertion force	30 N ± 10 N
Degree of protection (when plugged in)	IP66 / IP68 (2m / 24h)

Connection data

Rated current	35 A (with 6 mm ² conductor cross section)
Rated voltage (III/2)	690 V
Conductor cross section flexible min.	1.5 mm ²
Conductor cross section flexible max.	6 mm ²

Connector - PRC 3-FC-FS6 8-12 - 1410658

Technical data

Connection data

Conductor cross section solid min.	1.5 mm ²
Conductor cross section solid max.	6 mm ²
Stripping length	12 mm
Torque	1 Nm
Type of contact	Socket
Stripping length of the sheath	50 mm

Material data

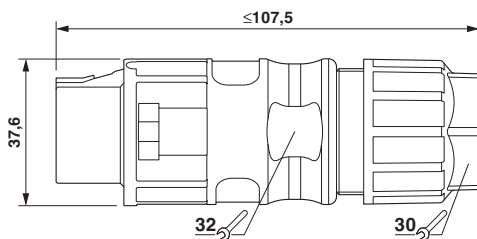
Contact material	Cu
Contact surface material	silver-plated
Contact carrier material	mPPE
Material of grip body	mPPE
Flammability rating according to UL 94	V0

Standards and Regulations

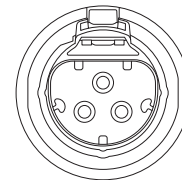
Flammability rating according to UL 94	V0
--	----

Drawings

Dimensional drawing



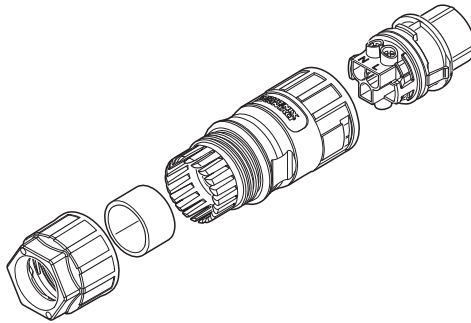
Schematic diagram



Connector pin assignment

Connector - PRC 3-FC-FS6 8-12 - 1410658

Schematic diagram



Classifications

eCl@ss

eCl@ss 4.1	27140816
eCl@ss 5.1	27143423
eCl@ss 6.0	27279220
eCl@ss 8.0	27440102
eCl@ss 9.0	27440103

ETIM

ETIM 4.0	EC002641
ETIM 5.0	EC002635

Approvals

Approvals

Approvals

UL Listed / cUL Listed / EAC / cULus Listed

Ex Approvals

Approvals submitted

Approval details

Connector - PRC 3-FC-FS6 8-12 - 1410658

Approvals

UL Listed	
mm ² /AWG/kcmil	14-10
Nominal current I _N	35 A
Nominal voltage U _N	600 V

cUL Listed	
mm ² /AWG/kcmil	14-10
Nominal current I _N	35 A
Nominal voltage U _N	600 V

EAC

cULus Listed	
--------------	--

Accessories

Accessories

Circular connector (cable-side)

Protective cap - PRC COVER F - 1409236



Protective cap for 3 and 5-pos. PRC field plugs