



Chipsmall Limited consists of a professional team with an average of over 10 year of expertise in the distribution of electronic components. Based in Hongkong, we have already established firm and mutual-benefit business relationships with customers from,Europe,America and south Asia,supplying obsolete and hard-to-find components to meet their specific needs.

With the principle of “Quality Parts,Customers Priority,Honest Operation,and Considerate Service”,our business mainly focus on the distribution of electronic components. Line cards we deal with include Microchip,ALPS,ROHM,Xilinx,Pulse,ON,Everlight and Freescale. Main products comprise IC,Modules,Potentiometer,IC Socket,Relay,Connector.Our parts cover such applications as commercial,industrial, and automotives areas.

We are looking forward to setting up business relationship with you and hope to provide you with the best service and solution. Let us make a better world for our industry!



Contact us

Tel: +86-755-8981 8866 Fax: +86-755-8427 6832

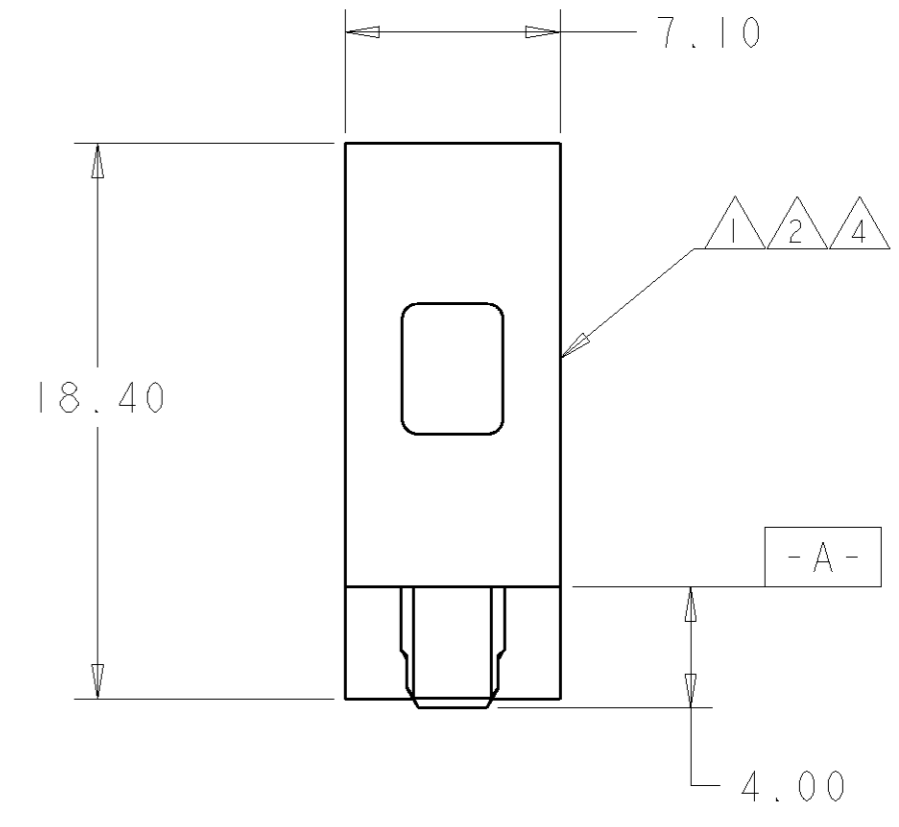
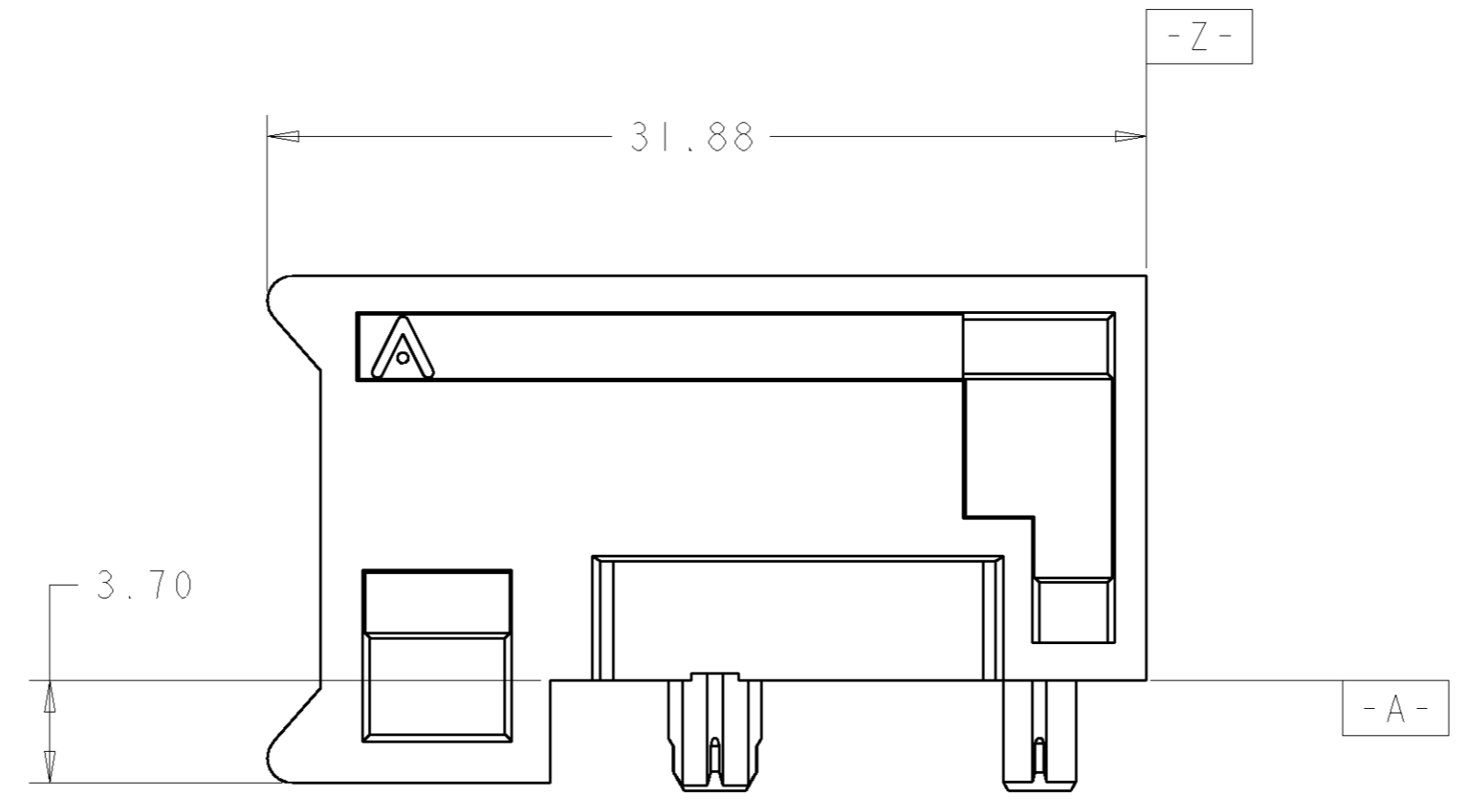
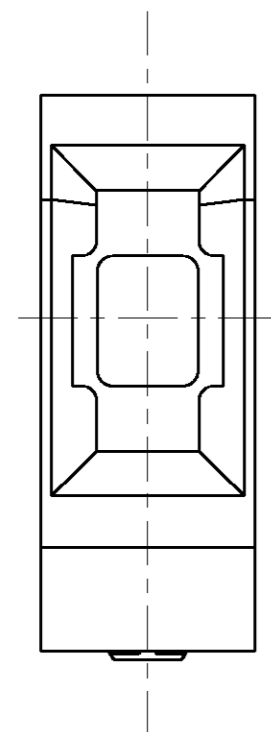
Email & Skype: info@chipsmall.com Web: www.chipsmall.com

Address: A1208, Overseas Decoration Building, #122 Zhenhua RD., Futian, Shenzhen, China

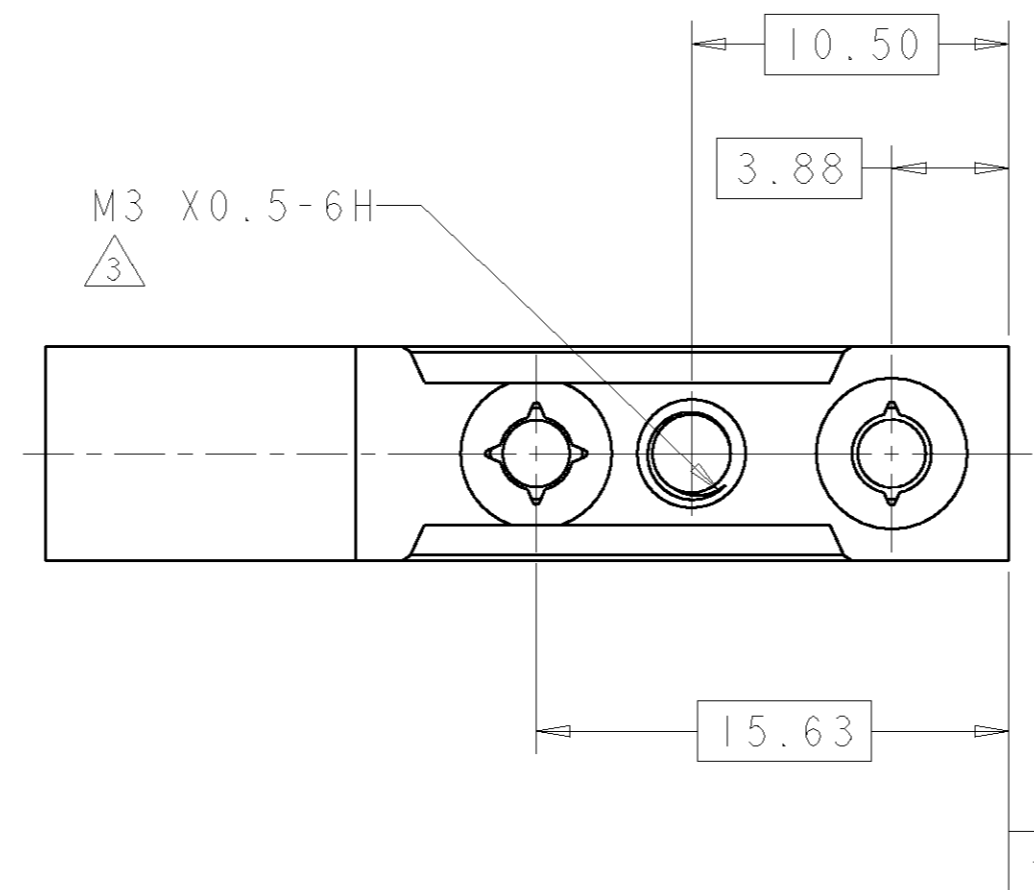


THIS DRAWING IS UNPUBLISHED. RELEASED FOR PUBLICATION 20
 © COPYRIGHT 20 BY TYCO ELECTRONICS CORPORATION. ALL RIGHTS RESERVED.

LOC	DIST	REVISIONS					
		P	LTR	DESCRIPTION	DATE	DWN	APVD
CG	00		A	REV PER ECO-06-008747	18APR2006	BC	GG
			B	REV PER ECO-06-025222	27OCT2006	BC	GG



SCALE 4:1



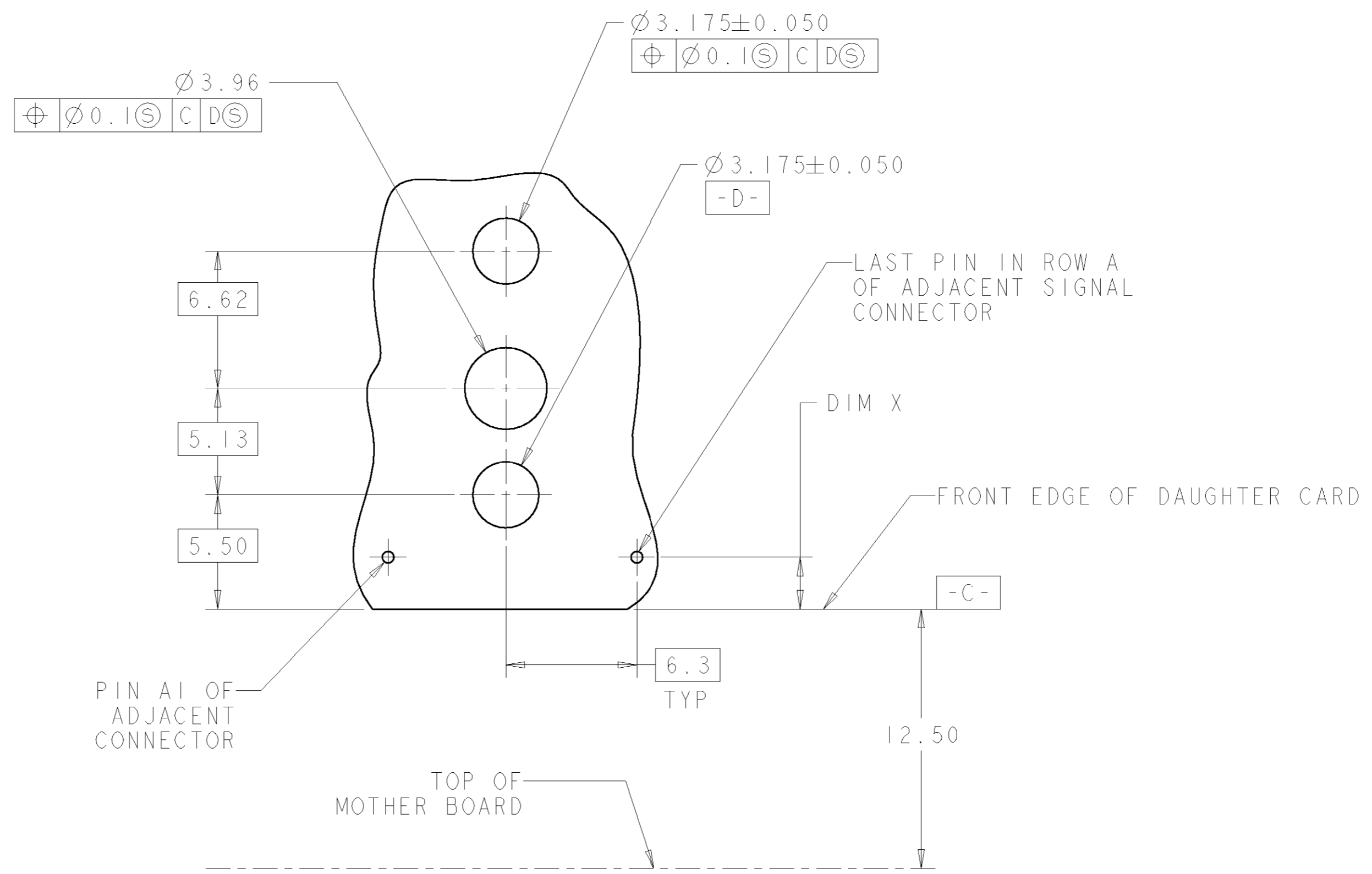
- ① MATERIAL:
HOUSING: ZINC ALLOY
- ② FINISH:
HOUSING: HEXAVALENT CHROMATE CONVERSION.
- ③ HOLE FOR POSITIVE RETENTION SCREW.
- ④ FINISH:
HOUSING: TRIVALENT CHROMIUM CONVERSION COATING.

④	1410714-3
②	1410714-2
FINISH	PART NUMBER

THIS DRAWING IS A CONTROLLED DOCUMENT FOR TYCO ELECTRONICS CORPORATION IT IS SUBJECT TO CHANGE AND THE CONTROLLING ENGINEERING ORGANIZATION SHOULD BE CONTACTED FOR THE LATEST REVISION.		DWN E. MORANA 22JUL2002	Tyco Electronics Harrisburg, PA 17105-3608	
DIMENSIONS: mm		CHK - 22JUL2002		
TOLERANCES UNLESS OTHERWISE SPECIFIED:		APVD - 22JUL2002	NAME 7.2MM GUIDE MODULE DAUGHTER CARD ROLLING THUNDER	
0 PLC ± 1 PLC ±0.5 2 PLC ±0.13 3 PLC ±.05 4 PLC ±.0001 ANGLES ±1 FINISH		PRODUCT SPEC -	SIZE A2	
MATERIAL -		APPLICATION SPEC -	CAGE CODE 00779	DRAWING NO 1410714
		WEIGHT -	RESTRICTED TO -	
		CUSTOMER DRAWING	SCALE 5:1 SHEET 1 OF 2 REV B	

THIS DRAWING IS UNPUBLISHED. RELEASED FOR PUBLICATION 20
 © COPYRIGHT 20 BY TYCO ELECTRONICS CORPORATION. ALL RIGHTS RESERVED.

LOC	DIST	REVISIONS					
CG	00	P	LTR	DESCRIPTION	DATE	DWN	APVD
		-		SEE SHEET 1	-	-	-



PCB LAYOUT
CONNECTOR SIDE
SCALE 5:1

DIM X	2.5	2.25
	TIER 1	TIER 2

THIS DRAWING IS A CONTROLLED DOCUMENT FOR TYCO ELECTRONICS CORPORATION. IT IS SUBJECT TO CHANGE AND THE CONTROLLING ENGINEERING ORGANIZATION SHOULD BE CONTACTED FOR THE LATEST REVISION.		DWN E. MORANA 22JUL2002	Tyco Electronics Harrisburg, PA 17105-3608	
DIMENSIONS: mm		CHK - 22JUL2002		
TOLERANCES UNLESS OTHERWISE SPECIFIED: 0 PLC ± 1 PLC ±0.5 2 PLC ±0.13 3 PLC ±.05 4 PLC ±.0001 ANGLES ±1		APVD - 22JUL2002	NAME 7.2MM GUIDE MODULE DAUGHTER CARD ROLLING THUNDER	
MATERIAL -		FINISH -	PRODUCT SPEC -	APPLICATION SPEC -
		WEIGHT -	SIZE A2	CAGE CODE 00779
		CUSTOMER DRAWING	DRAWING NO. 1410714	RESTRICTED TO -
		SCALE 5:1	SHEET 2	OF 2
			REV B	