



Chipsmall Limited consists of a professional team with an average of over 10 year of expertise in the distribution of electronic components. Based in Hongkong, we have already established firm and mutual-benefit business relationships with customers from,Europe,America and south Asia,supplying obsolete and hard-to-find components to meet their specific needs.

With the principle of “Quality Parts,Customers Priority,Honest Operation,and Considerate Service”,our business mainly focus on the distribution of electronic components. Line cards we deal with include Microchip,ALPS,ROHM,Xilinx,Pulse,ON,Everlight and Freescale. Main products comprise IC,Modules,Potentiometer,IC Socket,Relay,Connector.Our parts cover such applications as commercial,industrial, and automotives areas.

We are looking forward to setting up business relationship with you and hope to provide you with the best service and solution. Let us make a better world for our industry!



Contact us

Tel: +86-755-8981 8866 Fax: +86-755-8427 6832

Email & Skype: info@chipsmall.com Web: www.chipsmall.com

Address: A1208, Overseas Decoration Building, #122 Zhenhua RD., Futian, Shenzhen, China



Sensor/Actuator cable - SAC-2P-SUSMS/ 5,0-PUR - 1410755


Please be informed that the data shown in this PDF Document is generated from our Online Catalog. Please find the complete data in the user's documentation. Our General Terms of Use for Downloads are valid (<http://phoenixcontact.com/download>)



Sensor/Actuator cable, 2-position, PUR halogen-free, black-gray RAL 7021, free cable end, on Plug straight Superseal Clip locking, Cable length: 5 m



Key Commercial Data

| | |
|--------------|---|
| Packing unit | 1 STK |
| GTIN |  4 046356 924443 |
| GTIN | 4046356924443 |

Technical data

Dimensions

| | |
|-----------------|-----|
| Length of cable | 5 m |
|-----------------|-----|

Ambient conditions

| | |
|---------------------------------|------------------------------|
| Ambient temperature (operation) | -20 °C ... 85 °C (Superseal) |
| Degree of protection | IP67 |

General

| | |
|------------------------------|--------------|
| Rated current at 40°C | 8 A |
| Rated voltage | 24 V |
| Number of positions | 2 |
| Insulation resistance | ≥ 100 MΩ |
| Coding | A - standard |
| Status display | No |
| Protective circuit/component | Unwired |

Material

| | |
|--|-------|
| Flammability rating according to UL 94 | HB |
| Contact material | CuZn |
| Contact carrier material | PA 66 |

Sensor/Actuator cable - SAC-2P-SUSMS/ 5,0-PUR - 1410755

Technical data

Material

| | |
|-----------------------|---------------|
| Material of grip body | PA |
| Material, knurls | not available |
| Sealing material | Silicon |

Standards and Regulations

| | |
|--|----|
| Flammability rating according to UL 94 | HB |
|--|----|

Cable

| | |
|---|---------------------------------------|
| Cable type | PUR halogen-free black |
| Cable type (abbreviation) | PUR |
| Cable abbreviation | Li9Y11Y |
| UL AWM style | 20549 / 10493 (80°C/300 V) |
| Conductor cross section | 2x 0.75 mm ² (Signal line) |
| AWG signal line | 18 |
| Conductor structure signal line | 42x 0.15 mm |
| Core diameter including insulation | 1.69 mm ±0.05 mm (Signal line) |
| Thickness, insulation | ≥ 0.21 mm |
| Wire colors | brown, blue |
| Overall twist | 2 wires, twisted |
| External sheath, color | black-gray RAL 7021 |
| Outer sheath thickness | ≥ 0.38 mm |
| External cable diameter D | 4.8 mm ±0.15 mm |
| Minimum bending radius, fixed installation | 5 x D |
| Minimum bending radius, flexible installation | 10 x D |
| Number of bending cycles | 4000000 |
| Bending radius | 48 mm |
| Traversing path | 10 m |
| Traversing rate | 3 m/s |
| Acceleration | 10 m/s ² |
| Cable weight | 33 kg/km |
| Outer sheath, material | PUR |
| Material conductor insulation | PP |
| Conductor material | Bare Cu litz wires |
| Insulation resistance | ≥ 1 GΩ*km (at 20 °C) |
| Conductor resistance | ≤ 26 Ω/km (at 20 °C) |
| Nominal voltage, cable | ≤ 300 V AC |
| Test voltage, cable | ≥ 3000 V AC (Spark test) |
| Special properties | flexible |
| | Flexible cable conduit capable |
| Flame resistance | according to UL 758/1581 (horizontal) |
| | in accordance with UL 758/1581 FT2 |
| | according to DIN EN 60332-2-2 |

Sensor/Actuator cable - SAC-2P-SUSMS/ 5,0-PUR - 1410755

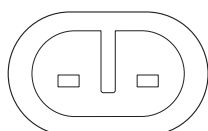
Technical data

Cable

| | |
|---------------------------------|--|
| Halogen-free | in accordance with DIN VDE 0472 part 815 |
| | in accordance with DIN EN 50267-2-1 |
| Resistance to oil | According to DIN EN 60811-2-1, 168 h at 100°C |
| | According to UL 758, 168 h at 60°C |
| Other resistance | hydrolysis and microbe resistant |
| | partly UV-resistant in accordance with DIN EN ISO 4892-2-A |
| | Low adhesion |
| | abrasion-resistant |
| Ambient temperature (operation) | -40 °C ... 80 °C (cable, fixed installation) |
| | -25 °C ... 80 °C (cable, flexible installation) |

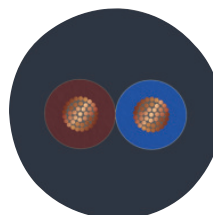
Drawings

Schematic diagram



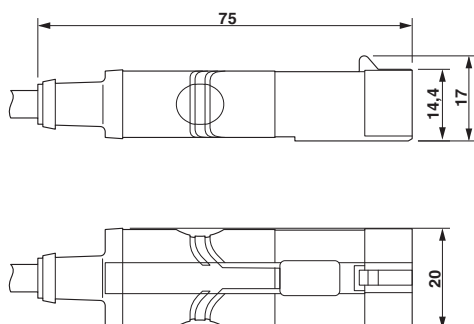
Super seal plug pin assignment, 2-pos.

Cable cross section



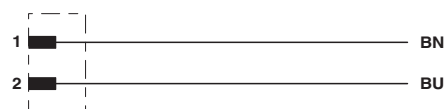
PUR halogen-free black [PUR]

Dimensional drawing



Superseal, plug, view from above and side

Circuit diagram



Contact assignment of the super seal plug

Phoenix Contact 2017 © - all rights reserved
<http://www.phoenixcontact.com>

PHOENIX CONTACT GmbH & Co. KG
Flachmarktstr. 8
32825 Blomberg
Germany
Tel. +49 5235 300
Fax +49 5235 3 41200
<http://www.phoenixcontact.com>