



Chipsmall Limited consists of a professional team with an average of over 10 year of expertise in the distribution of electronic components. Based in Hongkong, we have already established firm and mutual-benefit business relationships with customers from,Europe,America and south Asia,supplying obsolete and hard-to-find components to meet their specific needs.

With the principle of “Quality Parts,Customers Priority,Honest Operation,and Considerate Service”,our business mainly focus on the distribution of electronic components. Line cards we deal with include Microchip,ALPS,ROHM,Xilinx,Pulse,ON,Everlight and Freescale. Main products comprise IC,Modules,Potentiometer,IC Socket,Relay,Connector.Our parts cover such applications as commercial,industrial, and automotives areas.

We are looking forward to setting up business relationship with you and hope to provide you with the best service and solution. Let us make a better world for our industry!



Contact us

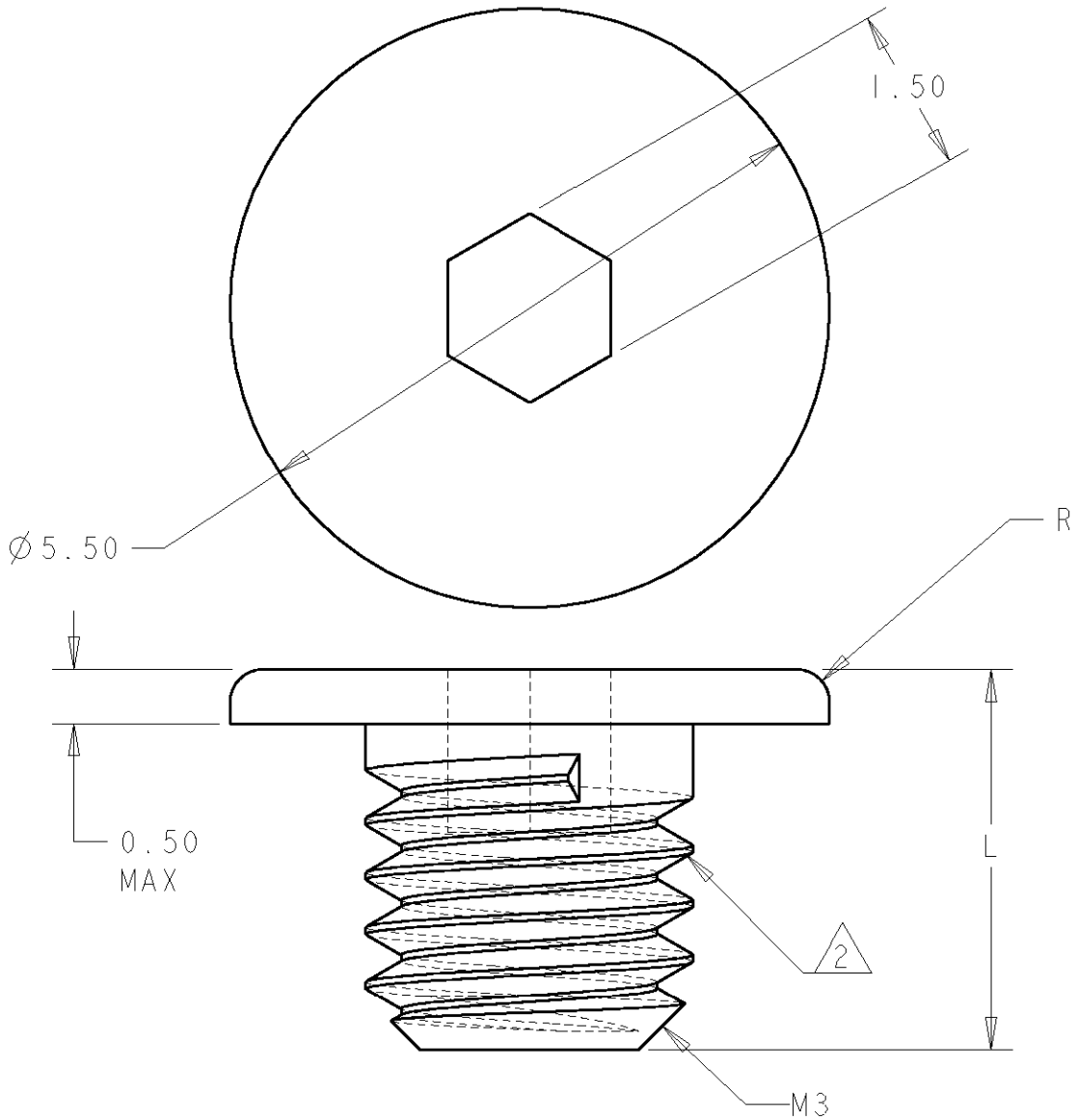
Tel: +86-755-8981 8866 Fax: +86-755-8427 6832

Email & Skype: info@chipsmall.com Web: www.chipsmall.com

Address: A1208, Overseas Decoration Building, #122 Zhenhua RD., Futian, Shenzhen, China



LOC	DIST	REVISIONS					
AD	00	P	LTR	DESCRIPTION	DATE	DWN	APVD
		B1		REVISED PER ECO-11-005294	30APR11	RK	HMR



1 MATERIAL: STAINLESS STEEL

2 YELLOW THREAD LOCKER APPLIED ON PORTION OF THREADS.

5.50	1410946-2
3.50	1410946-1
L	PART NUMBER

20

RELEASED FOR PUBLICATION


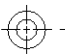
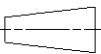
ALL RIGHTS RESERVED.

BY -

COPYRIGHT -

©

THIS DRAWING IS UNPUBLISHED.

DIMENSIONS: mm		DWN R. TREA	03AUG2004	MATERIAL	1 -	FINISH	-
TOLERANCES UNLESS OTHERWISE SPECIFIED:		CHK G.GRIFFITH	03AUG2004	 TE Connectivity			
0 PLC ±-		APVD G.GRIFFITH	03AUG2004				
1 PLC ±-		PRODUCT SPEC	-	NAME SOC. HD CAP SCREW CUSTOMIZED			
2 PLC ±0.13		APPLICATION SPEC	-	SIZE	CAGE CODE	DRAWING NO	RESTRICTED TO
3 PLC ±0.013		WEIGHT	-	A4	00779	C=1410946	-
4 PLC ±-				SCALE		SHEET	OF
ANGLES ±-		CUSTOMER DRAWING		12:1		1	1
 				REV		B1	