



Chipsmall Limited consists of a professional team with an average of over 10 year of expertise in the distribution of electronic components. Based in Hongkong, we have already established firm and mutual-benefit business relationships with customers from,Europe,America and south Asia,supplying obsolete and hard-to-find components to meet their specific needs.

With the principle of “Quality Parts,Customers Priority,Honest Operation,and Considerate Service”,our business mainly focus on the distribution of electronic components. Line cards we deal with include Microchip,ALPS,ROHM,Xilinx,Pulse,ON,Everlight and Freescale. Main products comprise IC,Modules,Potentiometer,IC Socket,Relay,Connector.Our parts cover such applications as commercial,industrial, and automotives areas.

We are looking forward to setting up business relationship with you and hope to provide you with the best service and solution. Let us make a better world for our industry!



Contact us

Tel: +86-755-8981 8866 Fax: +86-755-8427 6832

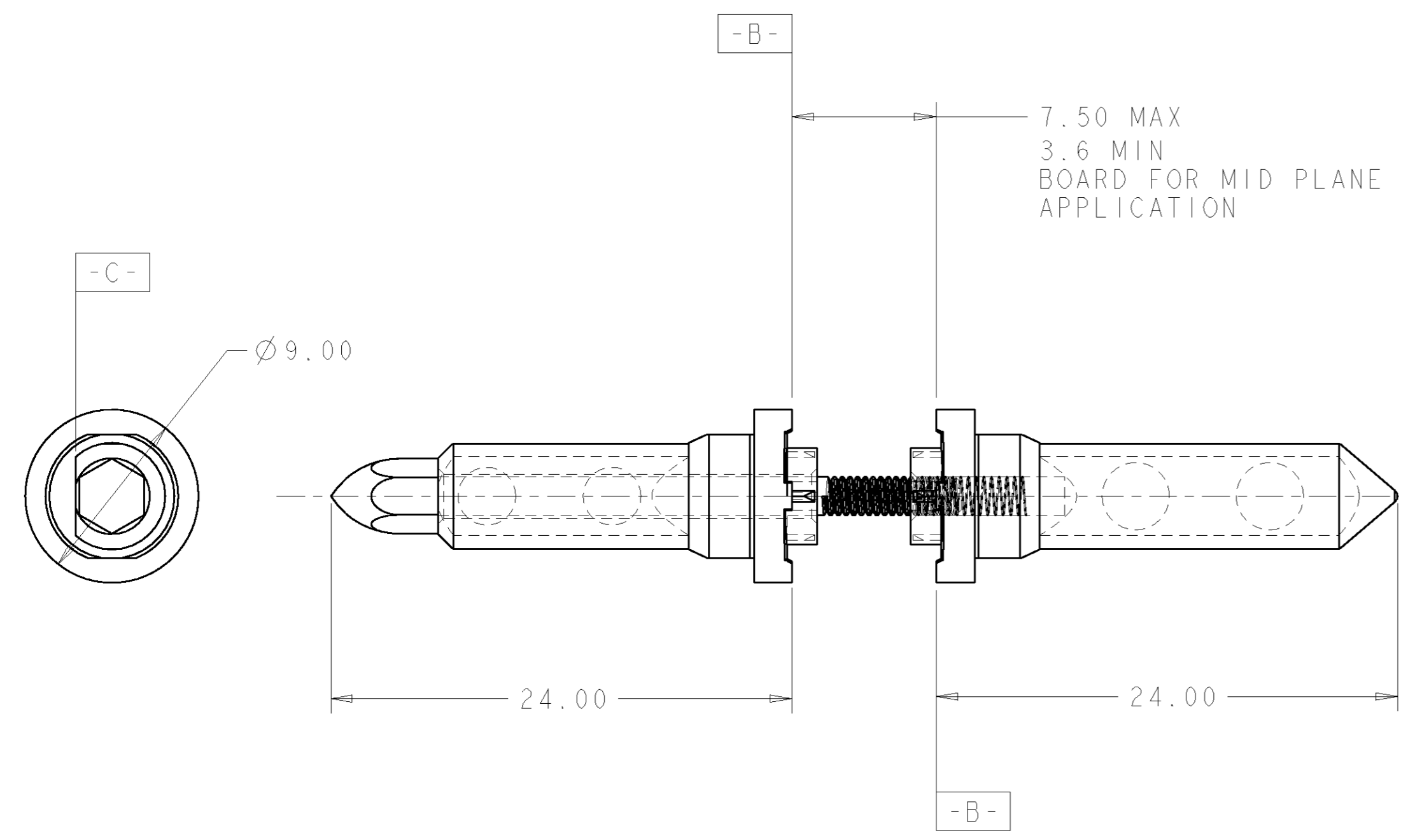
Email & Skype: info@chipsmall.com Web: www.chipsmall.com

Address: A1208, Overseas Decoration Building, #122 Zhenhua RD., Futian, Shenzhen, China

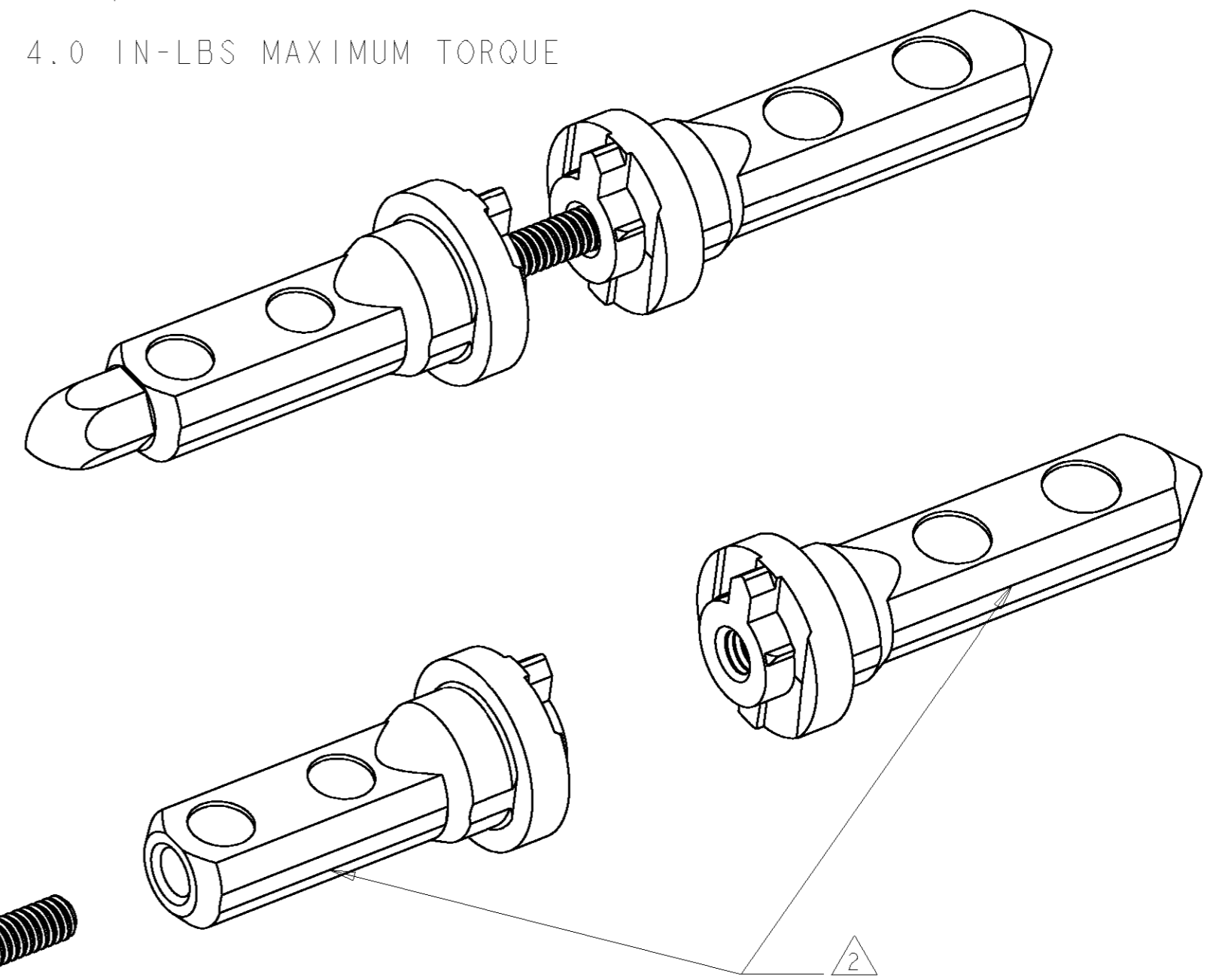


THIS DRAWING IS UNPUBLISHED. RELEASED FOR PUBLICATION 20
 © COPYRIGHT 20 BY TYCO ELECTRONICS CORPORATION. ALL RIGHTS RESERVED.

| LOC | DIST | REVISIONS | | | | | |
|-----|------|-----------|-----|-----------------------|-----------|-----|------|
| CG | 00 | P | LTR | DESCRIPTION | DATE | DWN | APVD |
| | | 01 | | PROPOSED | 24FEB2004 | RT | GGG |
| | | 02 | | RELEASED | 05AUG2004 | RT | GGG |
| | | A | | REV PER ECO-06-020218 | 24AUG2006 | BC | GG |



- 1 MATERIAL: ZINC ALLOY
- 2 GUIDE PIN FINISH:
3.81µm MINIMUM SILVER IN CONTACT AREA
OVER NICKEL OVER COPPER
ALL OVER ON GUIDE PINS
- 3 KEY HOLE ORIENTATION (DIM A) PER MATING
GUIDE MODULE PART NUMBER TABLE
(ORIENTATION SHOWN ON PCB LAYOUT IS FOR 1-1469492-2)
- 4 ANNULAR RING PLATED AROUND
GUIDE PIN MOUNTING HOLE ON TOP AND BOTTOM SIDE OF BOARD
- 5 GUIDE PIN RETAINER FINISH:
3.81µm MINIMUM SILVER OVER NICKEL
- 6. 4.0 IN-LBS MAXIMUM TORQUE



SCALE 4:1

1410956-1
PART NUMBER

| | | | | |
|--|--|-------------------------------|--|--|
| THIS DRAWING IS A CONTROLLED DOCUMENT FOR TYCO ELECTRONICS CORPORATION IT IS SUBJECT TO CHANGE AND THE CONTROLLING ENGINEERING ORGANIZATION SHOULD BE CONTACTED FOR THE LATEST REVISION. | | DWN R. TREA 02MAR2005 | Tyco Electronics Harrisburg, PA 17105-3608 | |
| DIMENSIONS: mm | | CHK G. GRIFFITH 02MAR2005 | | |
| TOLERANCES UNLESS OTHERWISE SPECIFIED: | | APVD G. GRIFFITH 02MAR2005 | NAME KEYED GUIDE PIN KIT ASSEMBLY, BACKPLANE CONNECTOR, MULTIGIG, THREADED POST | |
| 0 PLC ± | | PRODUCT SPEC | SIZE | |
| 1 PLC ±0.5 | | APPLICATION SPEC | CAGE CODE | |
| 2 PLC ±.13 | | 114-13056 | DRAWING NO | |
| 3 PLC ±0.013 | | WEIGHT | RESTRICTED TO | |
| 4 PLC ± | | - | A2 00779 C-1410956 | |
| ANGLES ± | | CUSTOMER DRAWING | | |
| FINISH | | SCALE 5:1 SHEET 1 OF 2 REV A | | |

4

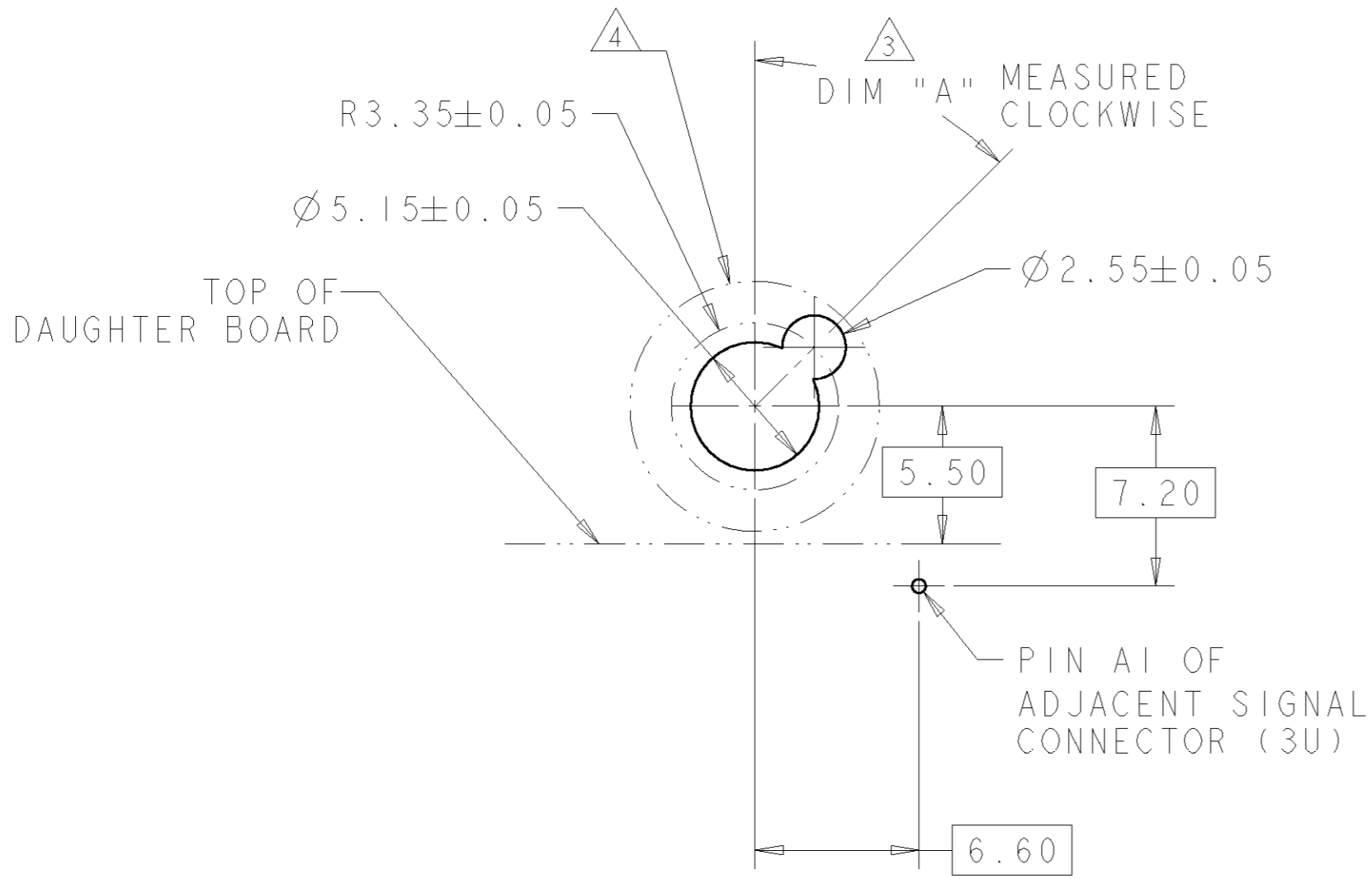
3

2

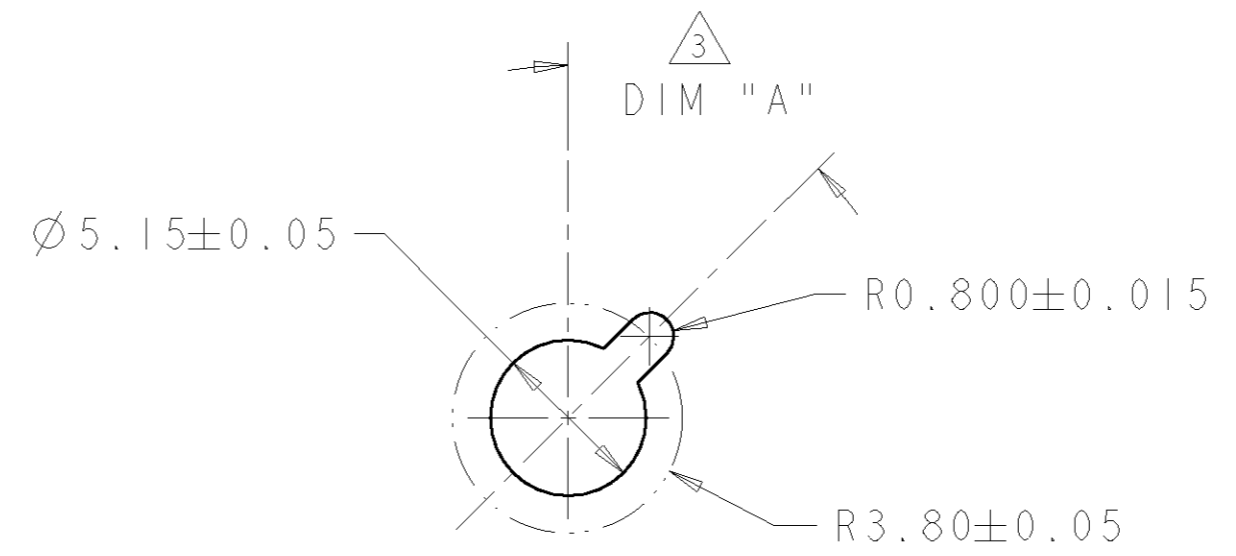
1

THIS DRAWING IS UNPUBLISHED. RELEASED FOR PUBLICATION 20
 © COPYRIGHT 20 BY TYCO ELECTRONICS CORPORATION. ALL RIGHTS RESERVED.

| LOC | DIST | REVISIONS | | | | | |
|-----|------|-----------|-----|-------------|------|-----|------|
| CG | 00 | P | LTR | DESCRIPTION | DATE | DWN | APVD |
| | | - | | SEE SHEET 1 | | | |



TIER 2
 GUIDE PIN FOOTPRINT
 (20.3mm SIGNAL MODULES)
 SCALE 4:1



ALTERNATE PCB LAYOUT
 FOR GUIDE POST
 SCALE 4:1

| | |
|---------|------------------------|
| - | 1-1469492-9 |
| 315° | 1-1469492-8 |
| 270° | 1-1469492-7 |
| 90° | 1-1469492-3 |
| 45° | 1-1469492-2 |
| 0° | 1-1469492-1 |
| DIM "A" | 20.3mm GUIDE MODULE |

MATING GUIDE MODULE

| | | | |
|---|---|---|---|
| <small>THIS DRAWING IS A CONTROLLED DOCUMENT FOR TYCO ELECTRONICS CORPORATION IT IS SUBJECT TO CHANGE AND THE CONTROLLING ENGINEERING ORGANIZATION SHOULD BE CONTACTED FOR THE LATEST REVISION.</small> | | DWN R.TREA 02MAR2005 CHK G.GRIFFITH 02MAR2005 APVD G.GRIFFITH 02MAR2005 | tyco Tyco Electronics Electronics Harrisburg, PA 17105-3608 |
| DIMENSIONS: mm | TOLERANCES UNLESS OTHERWISE SPECIFIED: 0 PLC ± 1 PLC ±0.5 2 PLC ±.13 3 PLC ±0.013 4 PLC ± ANGLES ± FINISH | PRODUCT SPEC - APPLICATION SPEC - WEIGHT - | NAME KEYED GUIDE PIN KIT ASSEMBLY, BACKPLANE CONNECTOR, MULTIGIG, THREADED POST SIZE A2 CAGE CODE 00779 DRAWING NO. 1410956 RESTRICTED TO - |
| MATERIAL - | | CUSTOMER DRAWING | |
| | | SCALE 1:1 | SHEET 2 OF 2 REV A |