



Chipsmall Limited consists of a professional team with an average of over 10 year of expertise in the distribution of electronic components. Based in Hongkong, we have already established firm and mutual-benefit business relationships with customers from,Europe,America and south Asia,supplying obsolete and hard-to-find components to meet their specific needs.

With the principle of “Quality Parts,Customers Priority,Honest Operation,and Considerate Service”,our business mainly focus on the distribution of electronic components. Line cards we deal with include Microchip,ALPS,ROHM,Xilinx,Pulse,ON,Everlight and Freescale. Main products comprise IC,Modules,Potentiometer,IC Socket,Relay,Connector.Our parts cover such applications as commercial,industrial, and automotives areas.

We are looking forward to setting up business relationship with you and hope to provide you with the best service and solution. Let us make a better world for our industry!



## Contact us

Tel: +86-755-8981 8866 Fax: +86-755-8427 6832

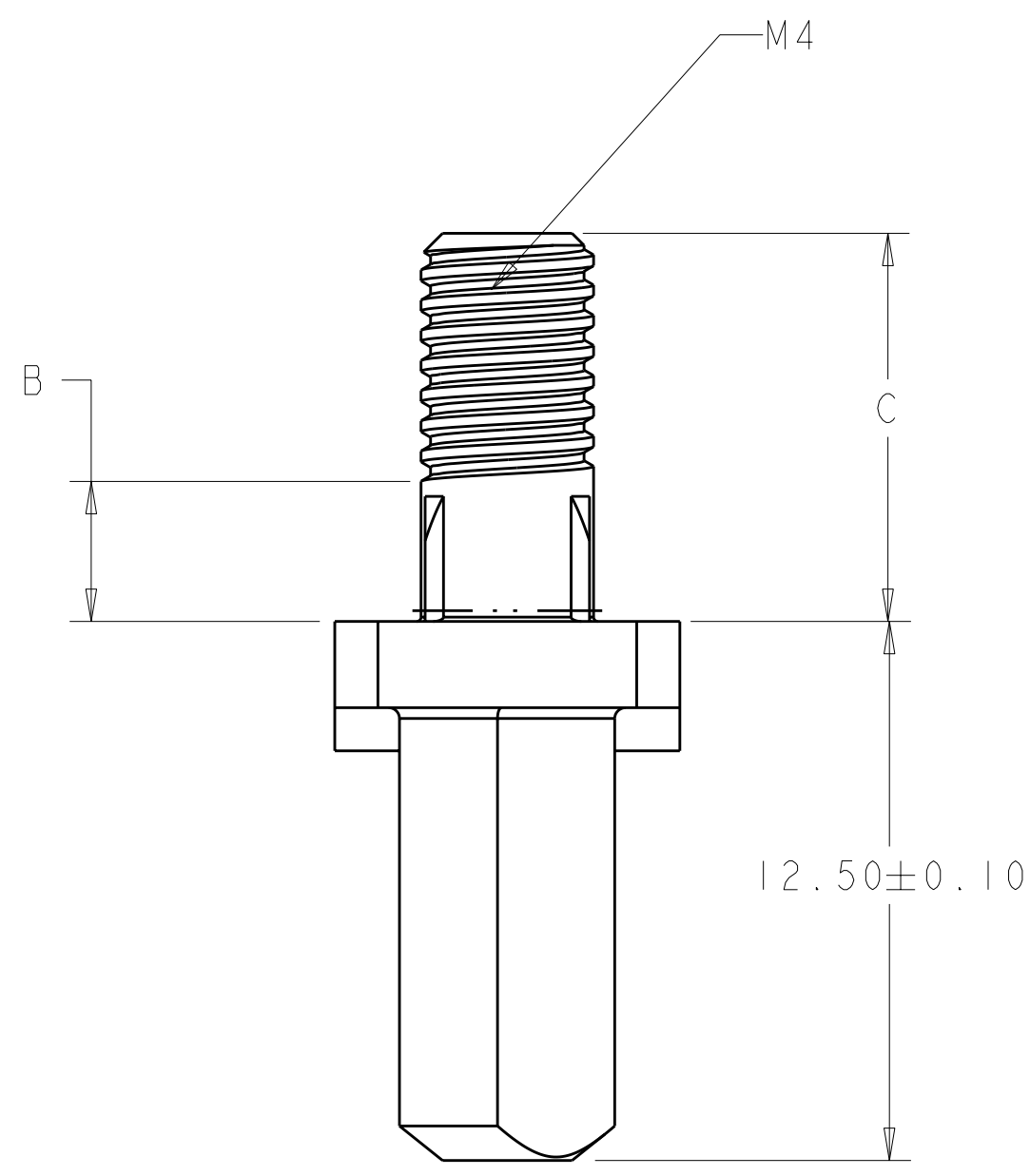
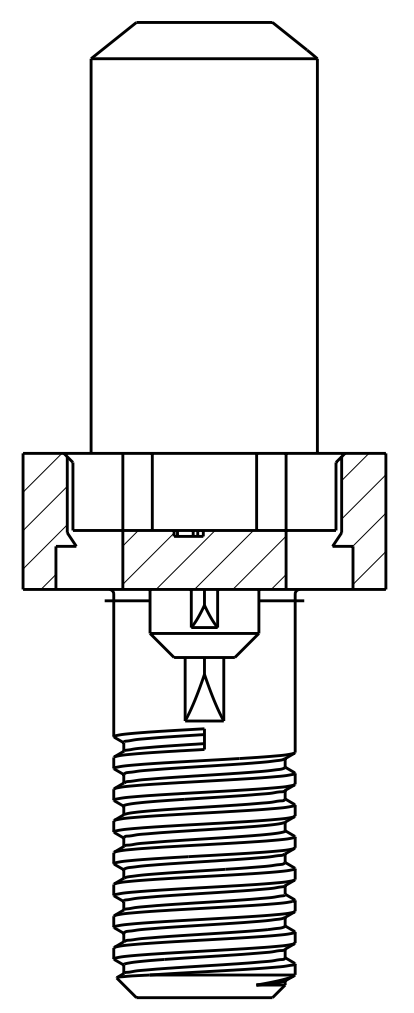
Email & Skype: info@chipsmall.com Web: www.chipsmall.com

Address: A1208, Overseas Decoration Building, #122 Zhenhua RD., Futian, Shenzhen, China

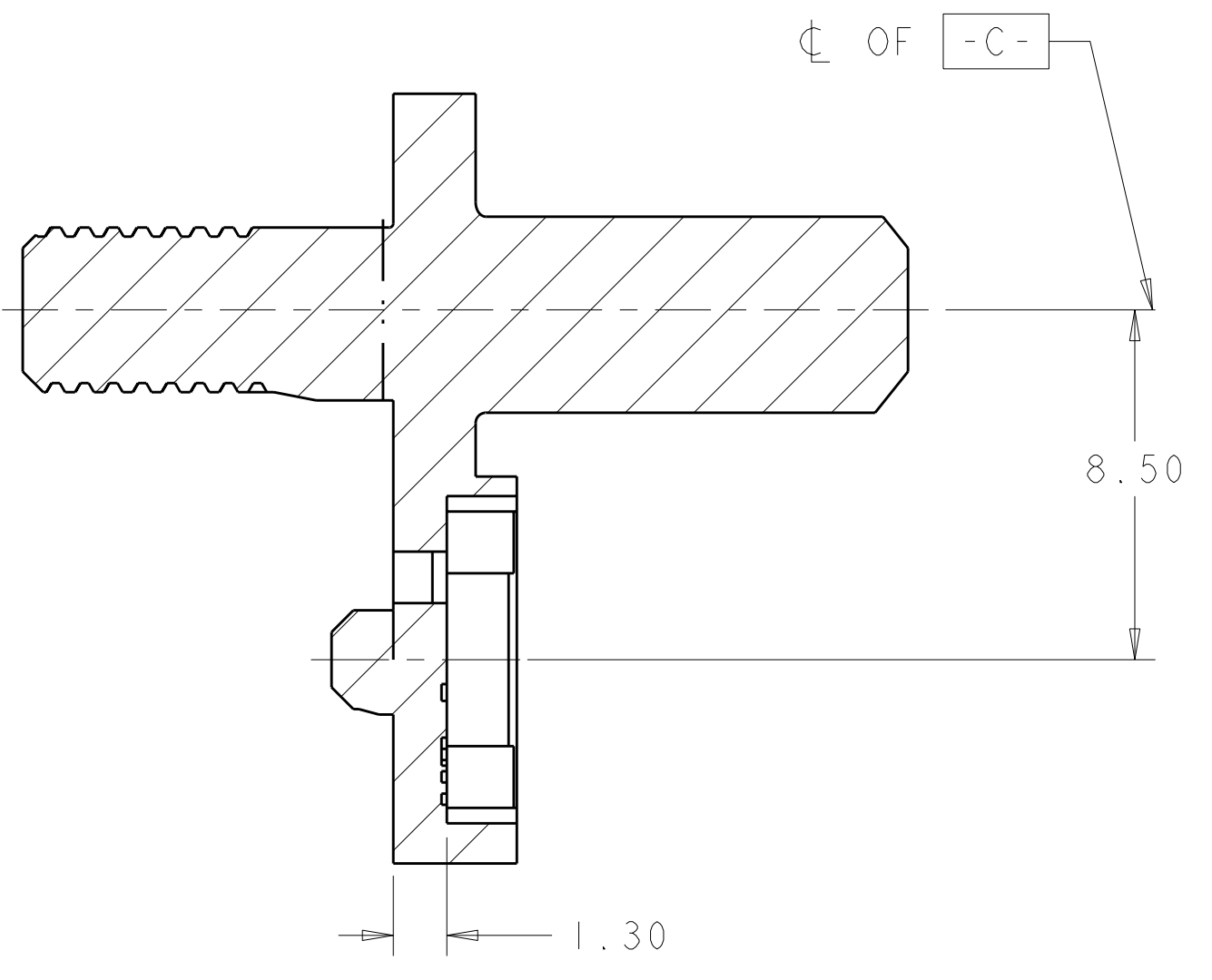


LOC	DIST	REV	DATE	BY	CHK	APPV
AD	00	1	02DEC2008	RT	GG	
		2	25AUG2009	DH	DY	
		A	13APR2010	BC	DY	

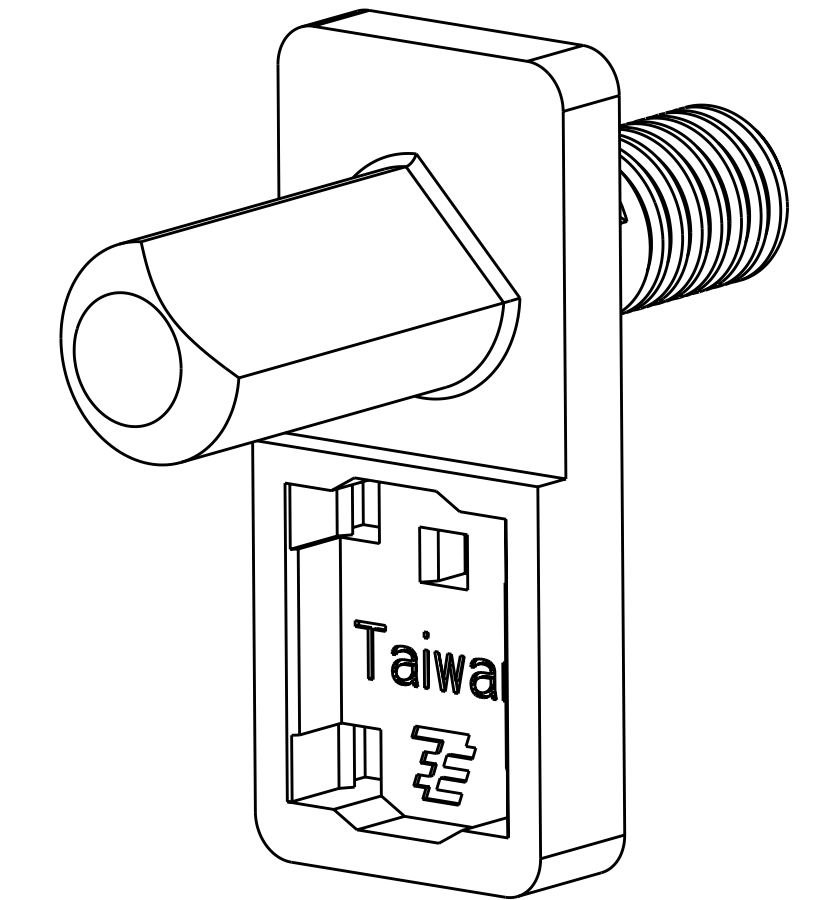
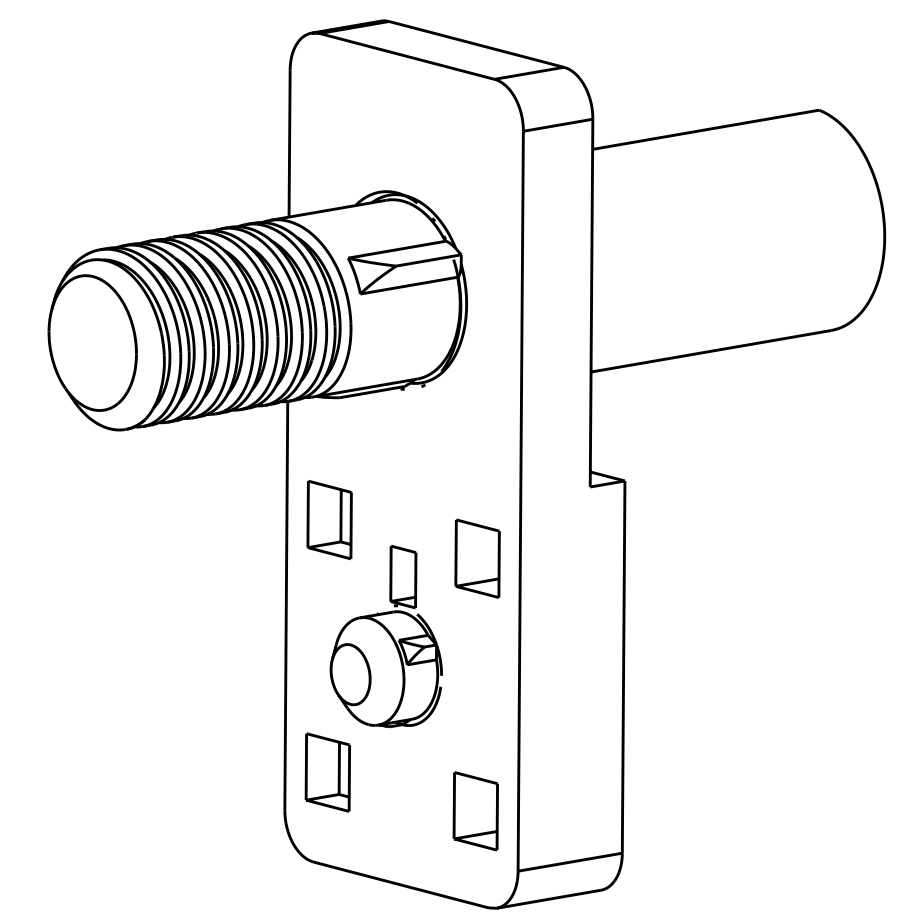
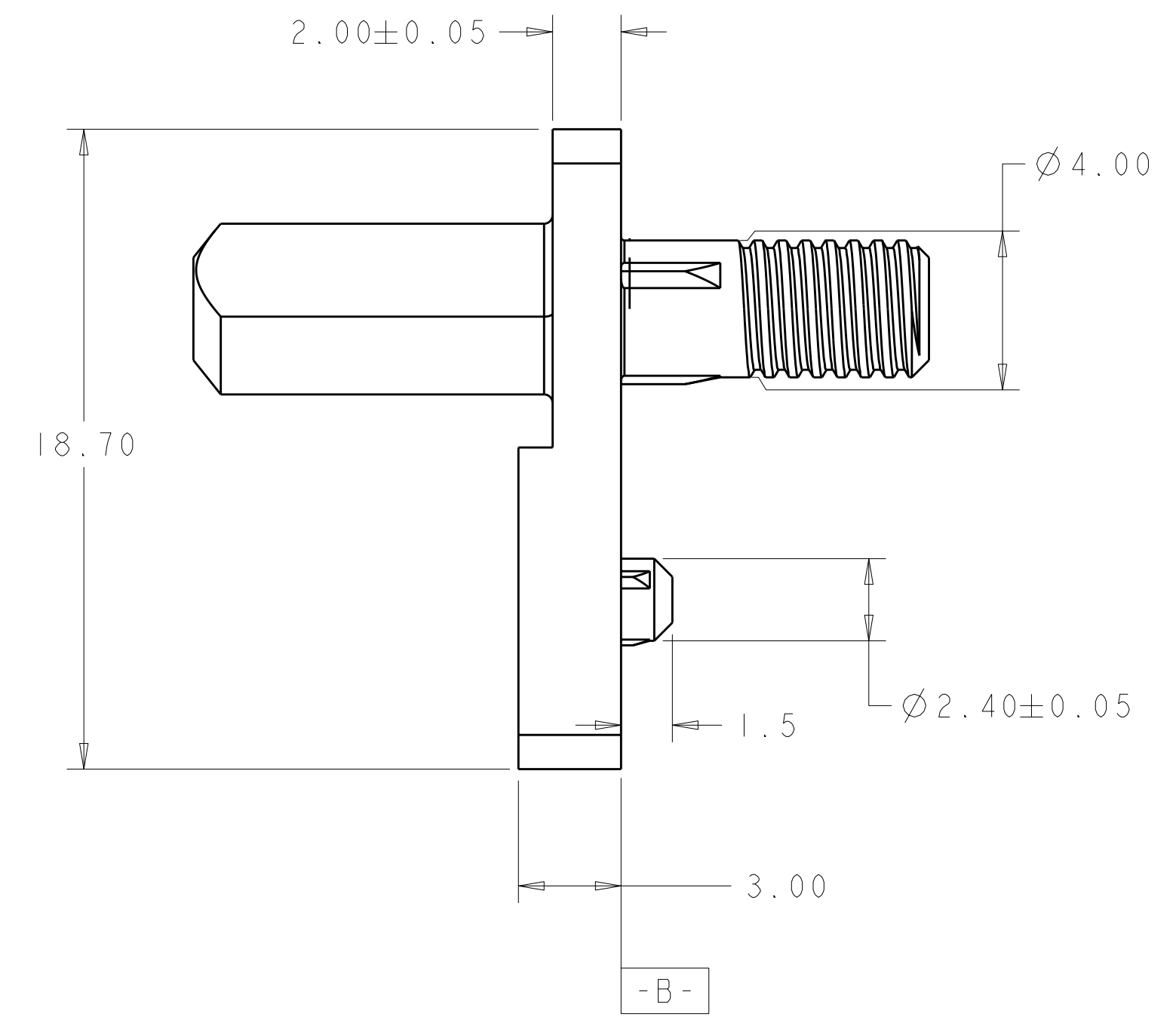
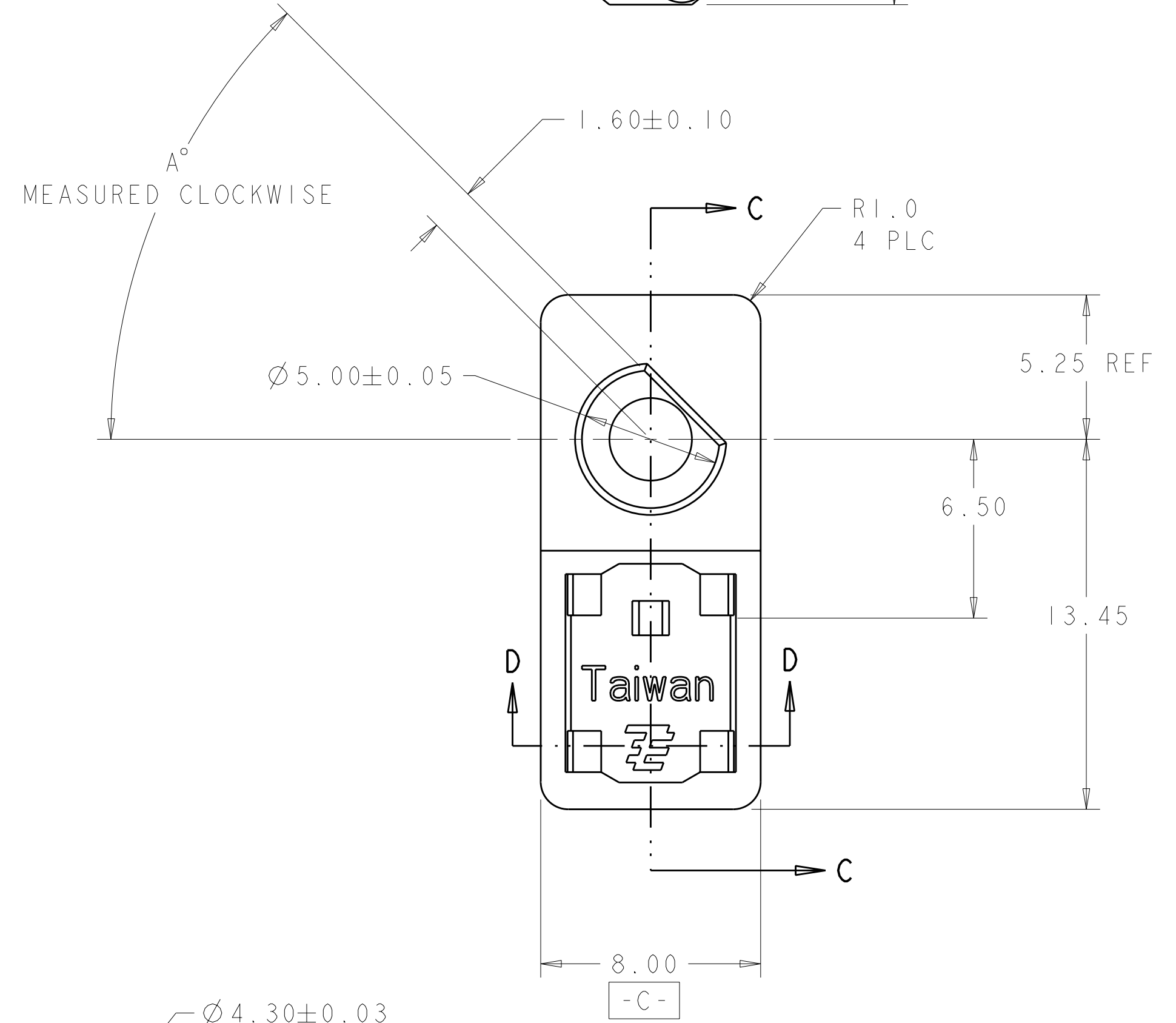
△ ZINC ALLOY  
 △ FINISH: CLEAR CHROMATE



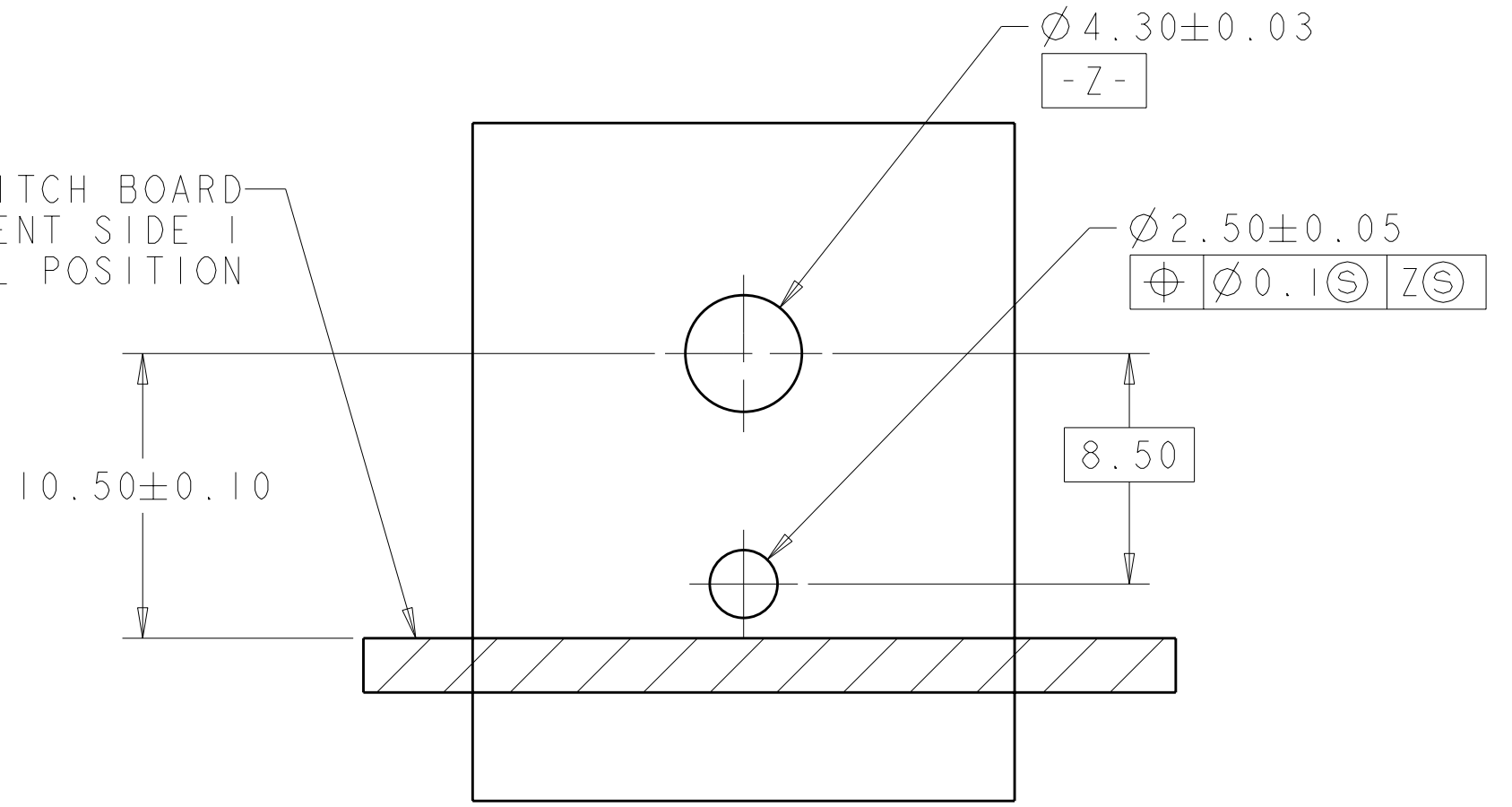
SECTION D-D  
 SCALE 6:1



SECTION C-C



PAYLOAD OR SWITCH BOARD  
 COMPONENT SIDE 1  
 NOMINAL POSITION



PCB LAYOUT  
 CONNECTOR SIDE  
 ALL HOLES AND FEATURES  
 (ARE NON PLATED THROUGH HOLES)

DIM "C"	DIM "B"	DIM "A"	PART NUMBER
9.0	3.13	NO FLAT	1410962-9
9.0	3.13	315°	1410962-8
9.0	3.13	270°	1410962-7
9.0	3.13	225°	1410962-6
9.0	3.13	180°	1410962-5
9.0	3.13	135°	1410962-4
9.0	3.13	90°	1410962-3
9.0	3.13	45°	1410962-2
9.0	3.13	0°	1410962-1

DIMENSIONS: mm TOLERANCES UNLESS OTHERWISE SPECIFIED: 9 PLC ± 1 PLC ±0.13 5 PLC ±0.013 4 PLC ± ANGLES ±		DWN R. TREA 10JUN2004 CHK G. GRIFFITH 10JUN2004 APVD D. YI 13APR2010		Tyco Electronics Harrisburg, PA 17105-3608	
MATERIAL: △ FINISH: △		PRODUCT SPEC APPLICATION SPEC WEIGHT: - CUSTOMER DRAWING		NAME: HOUSING, KEY/ALIGNMENT PIN, VITA 41 SIZE: CAGE CODE DRAWING NO: A100779C=1410962 RESTRICTED TO: - SCALE: 6:1 SHEET 1 OF 1 REV A	