



Chipsmall Limited consists of a professional team with an average of over 10 year of expertise in the distribution of electronic components. Based in Hongkong, we have already established firm and mutual-benefit business relationships with customers from,Europe,America and south Asia,supplying obsolete and hard-to-find components to meet their specific needs.

With the principle of "Quality Parts,Customers Priority,Honest Operation,and Considerate Service",our business mainly focus on the distribution of electronic components. Line cards we deal with include Microchip,ALPS,ROHM,Xilinx,Pulse,ON,Everlight and Freescale. Main products comprise IC,Modules,Potentiometer,IC Socket,Relay,Connector.Our parts cover such applications as commercial,industrial, and automotives areas.

We are looking forward to setting up business relationship with you and hope to provide you with the best service and solution. Let us make a better world for our industry!



Contact us

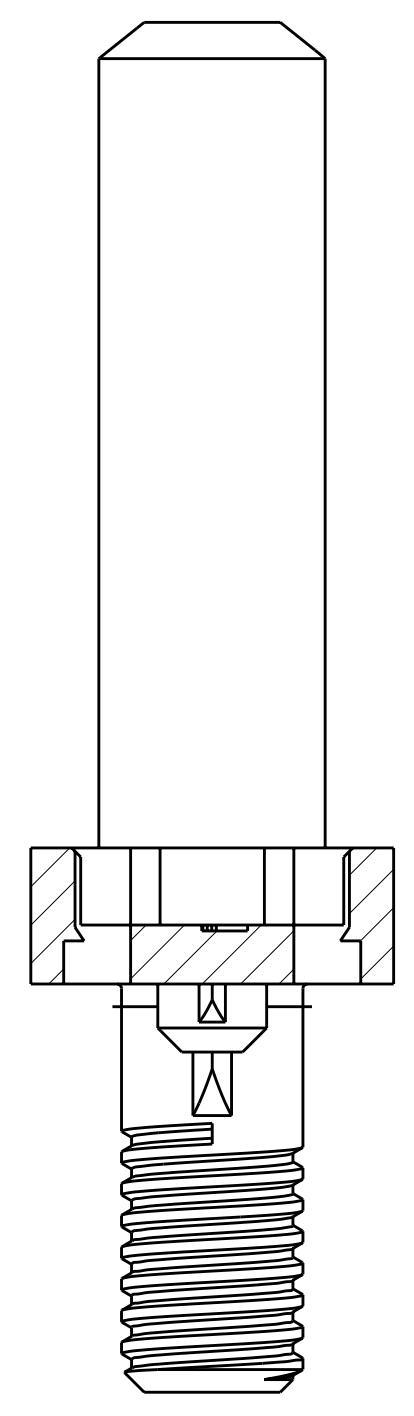
Tel: +86-755-8981 8866 Fax: +86-755-8427 6832

Email & Skype: info@chipsmall.com Web: www.chipsmall.com

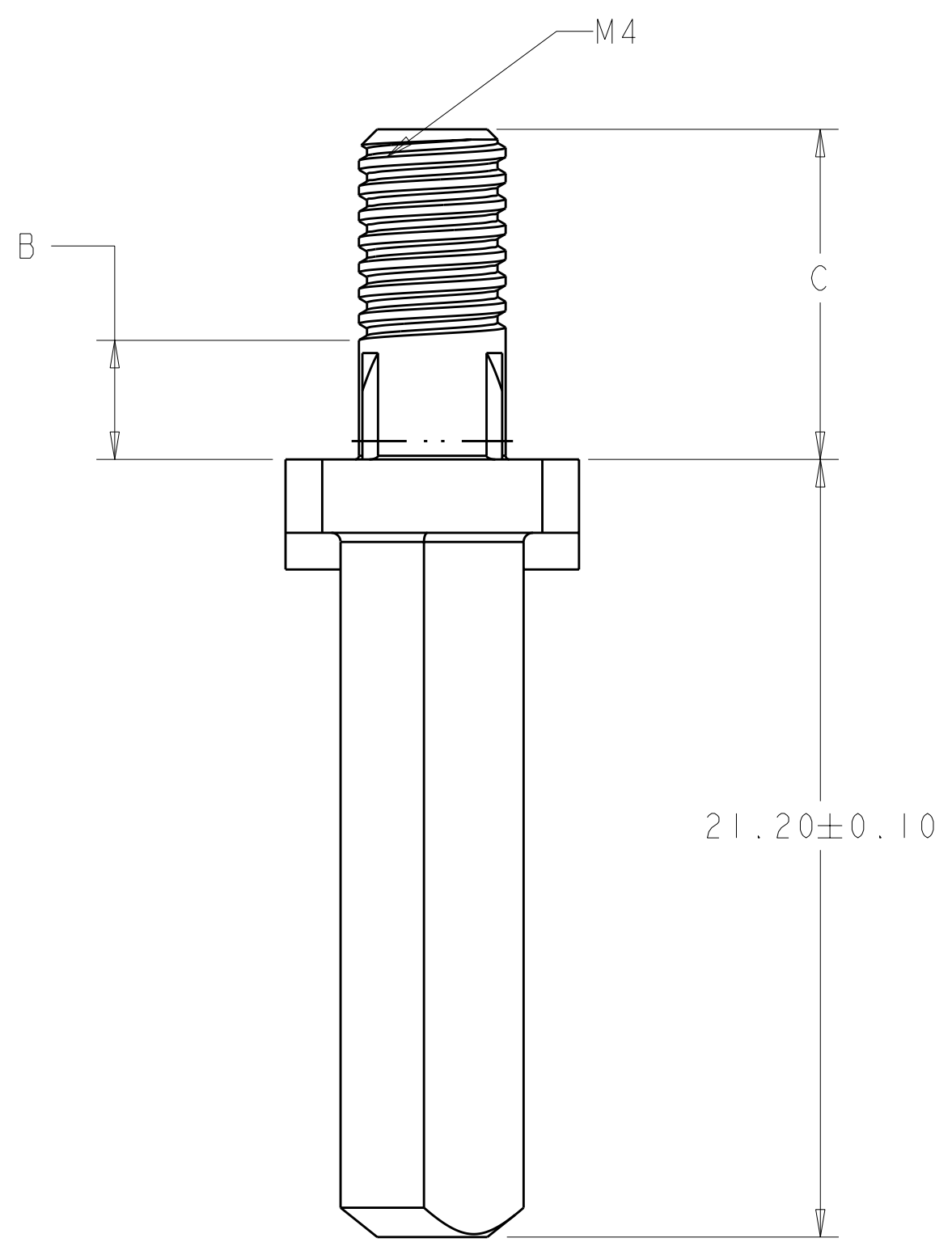
Address: A1208, Overseas Decoration Building, #122 Zhenhua RD., Futian, Shenzhen, China



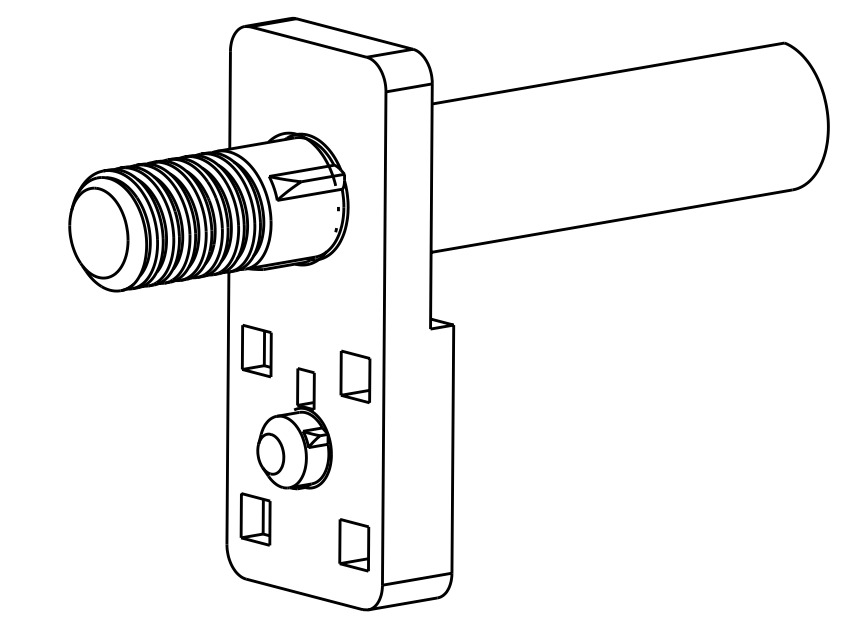
REV	DATE	DESCRIPTION	DATE	DWN	APVD
1	28APR2009	PROPOSED	28APR2009	RT	GG
2	25AUG2009	REVISED	25AUG2009	DH	DY
A	13APR2010	REV PER ECO-10-006114	13APR2010	BC	DY



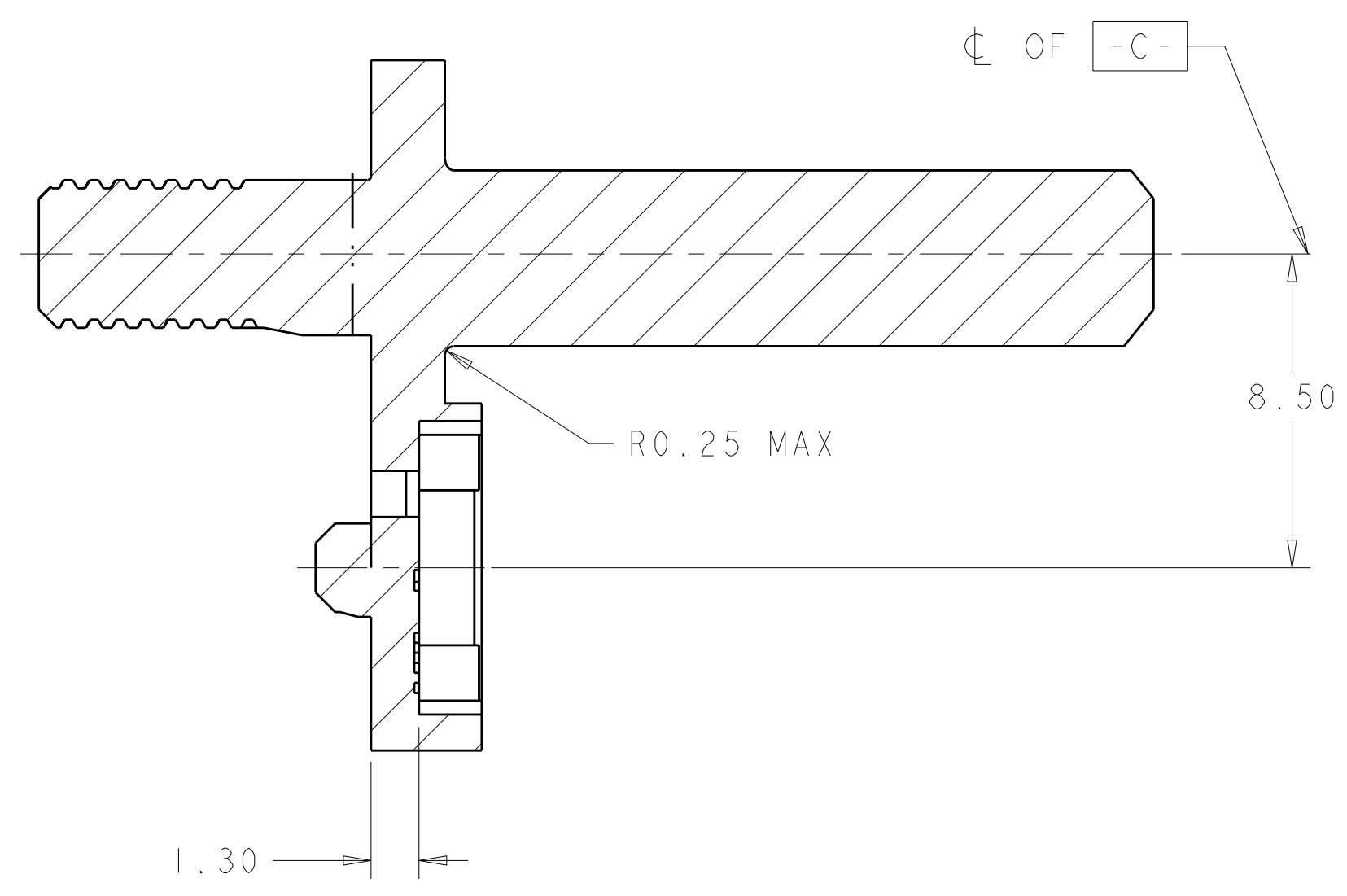
SECTION D-D
SCALE 6:1



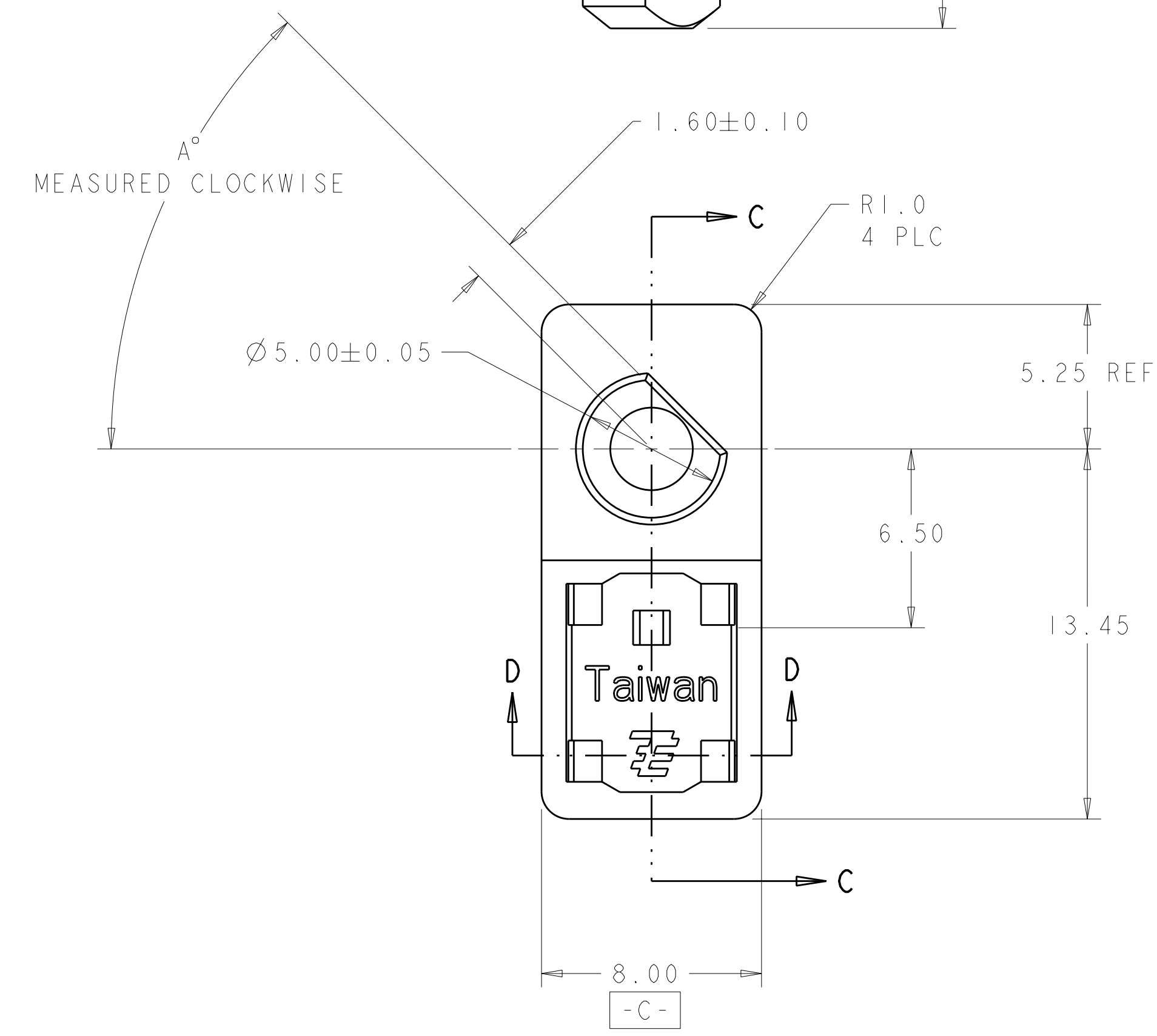
△ ZINC ALLOY
 △ FINISH: CLEAR CHROMATE



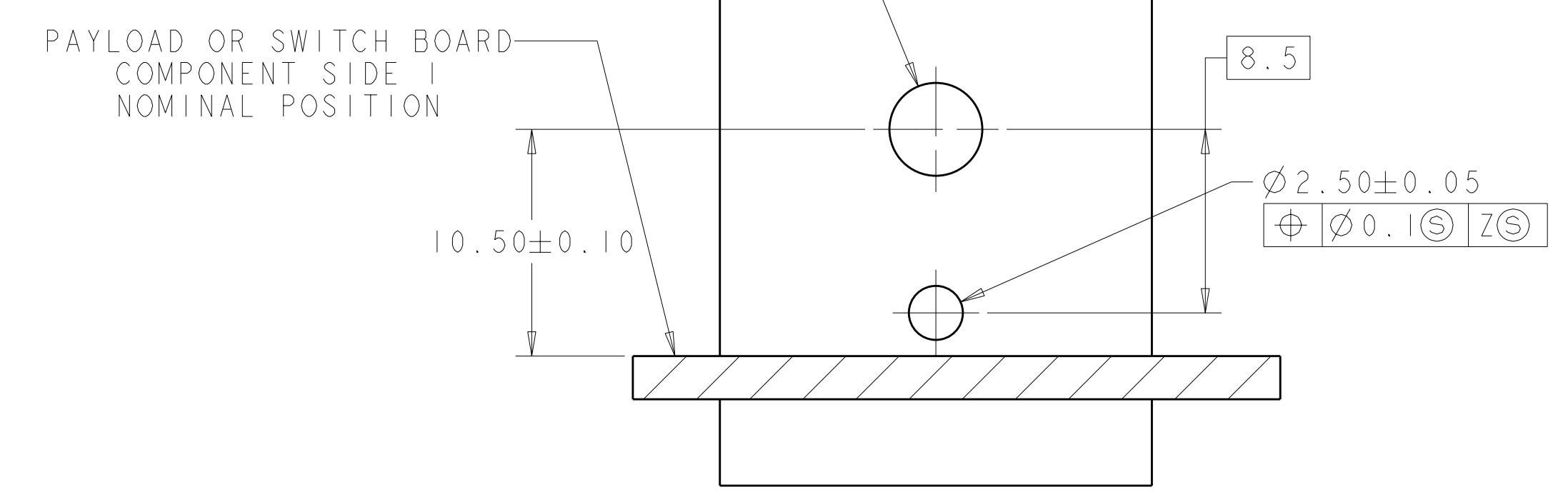
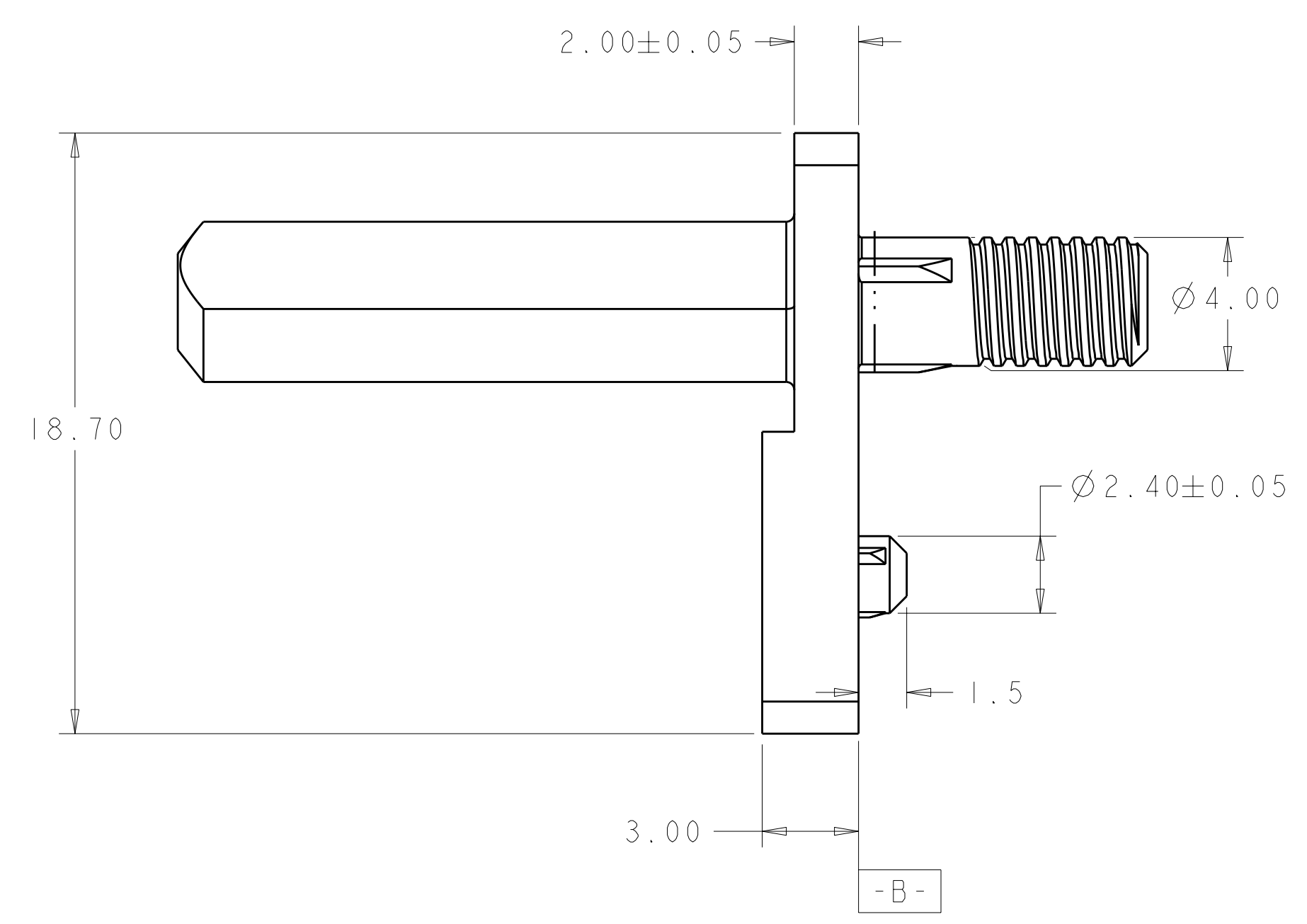
SCALE 4:1



SECTION C-C



SHOWING 1410963-2



PCB LAYOUT
CONNECTOR SIDE
ALL HOLES AND FEATURES
(ARE NON PLATED THROUGH HOLES)

DIM "C"	DIM "B"	DIM "A"	PART NUMBER
9.0	3.13	NO FLAT	1410963-9
9.0	3.13	315°	1410963-8
9.0	3.13	270°	1410963-7
9.0	3.13	225°	1410963-6
9.0	3.13	180°	1410963-5
9.0	3.13	135°	1410963-4
9.0	3.13	90°	1410963-3
9.0	3.13	45°	1410963-2
9.0	3.13	0°	1410963-1

DIMENSIONS: mm TOLERANCES UNLESS OTHERWISE SPECIFIED: 9 PLC ± 1 PLC ±0.13 5 PLC ±0.013 4 PLC ± ANGLES ± FINISH: △		DWN: R. TREA 28APR2009 CHK: G. GRIFFITH 28APR2009 APVD: G. GRIFFITH 28APR2009 PRODUCT SPEC: HOUSING, KEY/ALIGNMENT PIN, VITA 41 APPLICATION SPEC:		Tyco Electronics Harrisburg, PA 17105-3608	
MATERIAL: △		WEIGHT: - CUSTOMER DRAWING		SIZE: A 00779 C=1410963 SCALE: 6:1 SHEET 1 OF 1 REV A	