



Chipsmall Limited consists of a professional team with an average of over 10 year of expertise in the distribution of electronic components. Based in Hongkong, we have already established firm and mutual-benefit business relationships with customers from,Europe,America and south Asia,supplying obsolete and hard-to-find components to meet their specific needs.

With the principle of "Quality Parts,Customers Priority,Honest Operation,and Considerate Service",our business mainly focus on the distribution of electronic components. Line cards we deal with include Microchip,ALPS,ROHM,Xilinx,Pulse,ON,Everlight and Freescale. Main products comprise IC,Modules,Potentiometer,IC Socket,Relay,Connector.Our parts cover such applications as commercial,industrial, and automotives areas.

We are looking forward to setting up business relationship with you and hope to provide you with the best service and solution. Let us make a better world for our industry!



Contact us

Tel: +86-755-8981 8866 Fax: +86-755-8427 6832

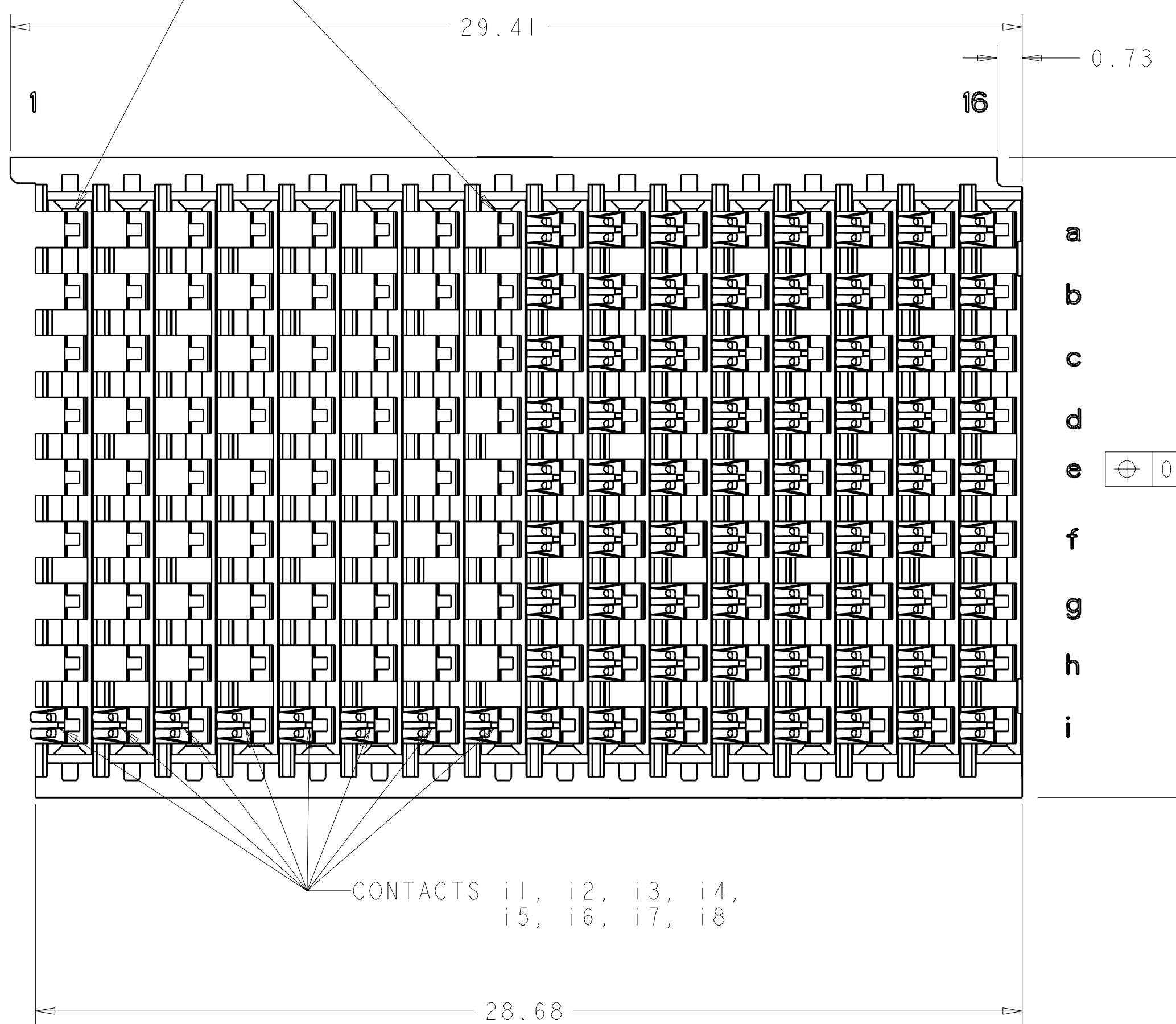
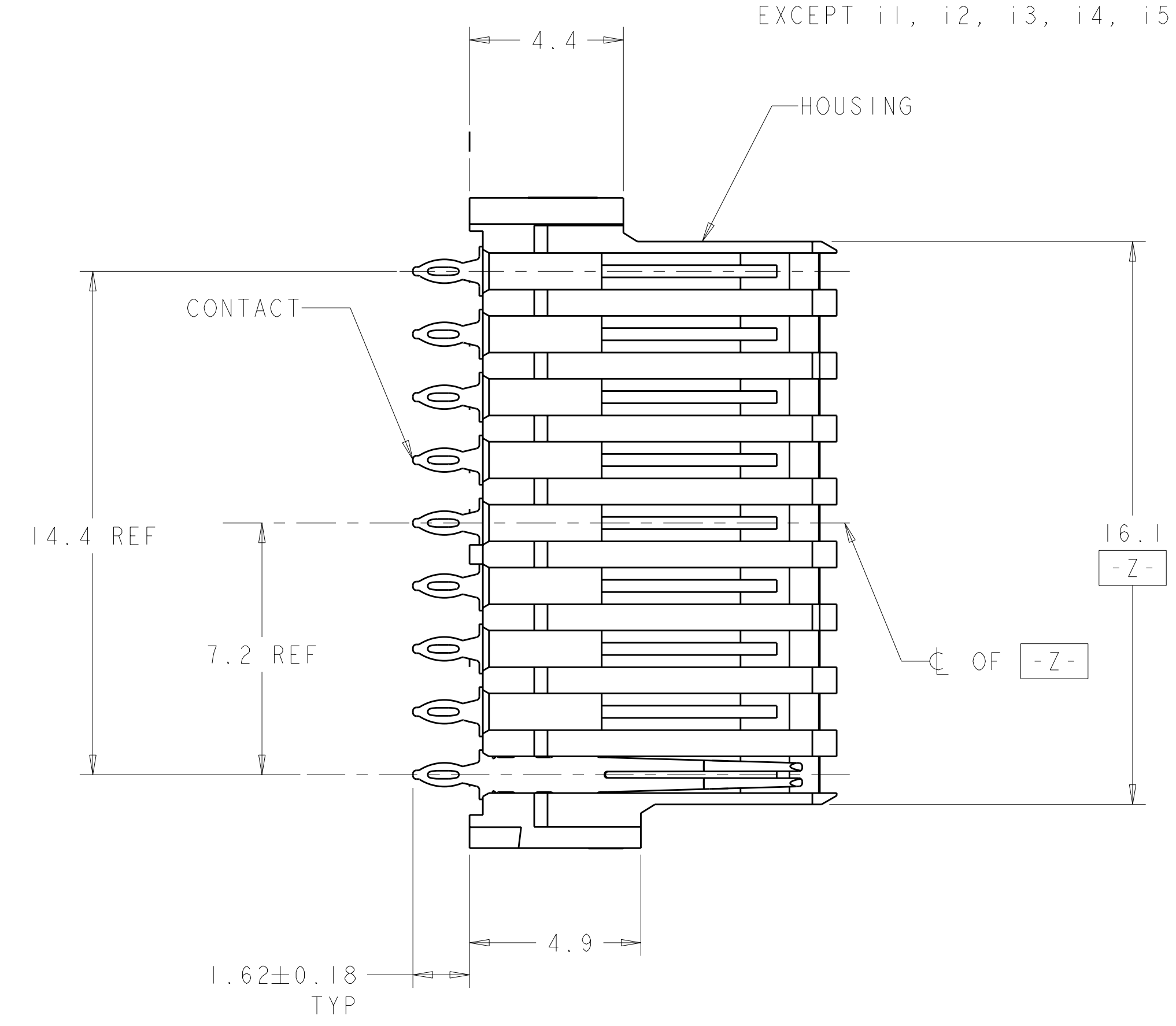
Email & Skype: info@chipsmall.com Web: www.chipsmall.com

Address: A1208, Overseas Decoration Building, #122 Zhenhua RD., Futian, Shenzhen, China

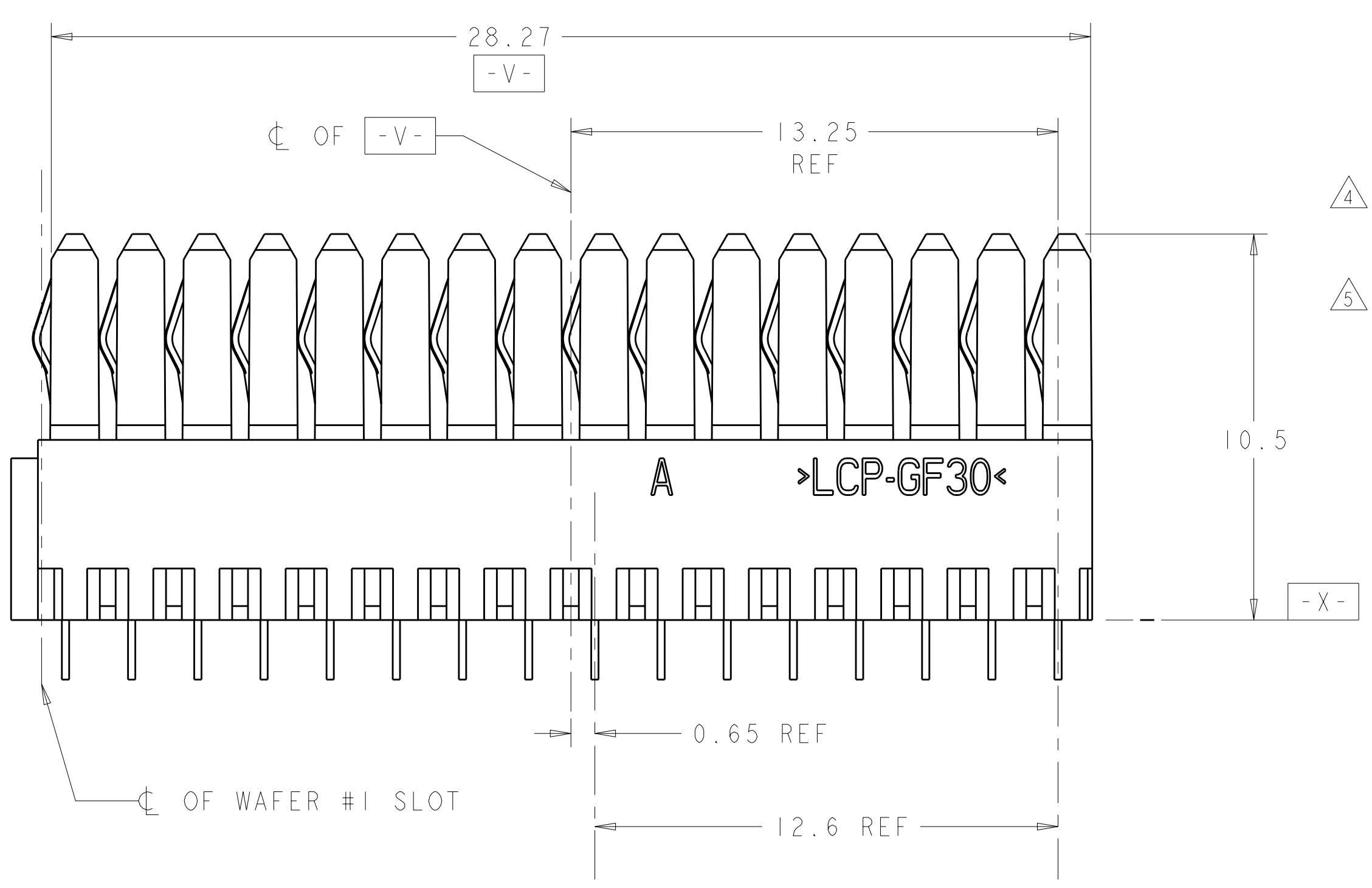
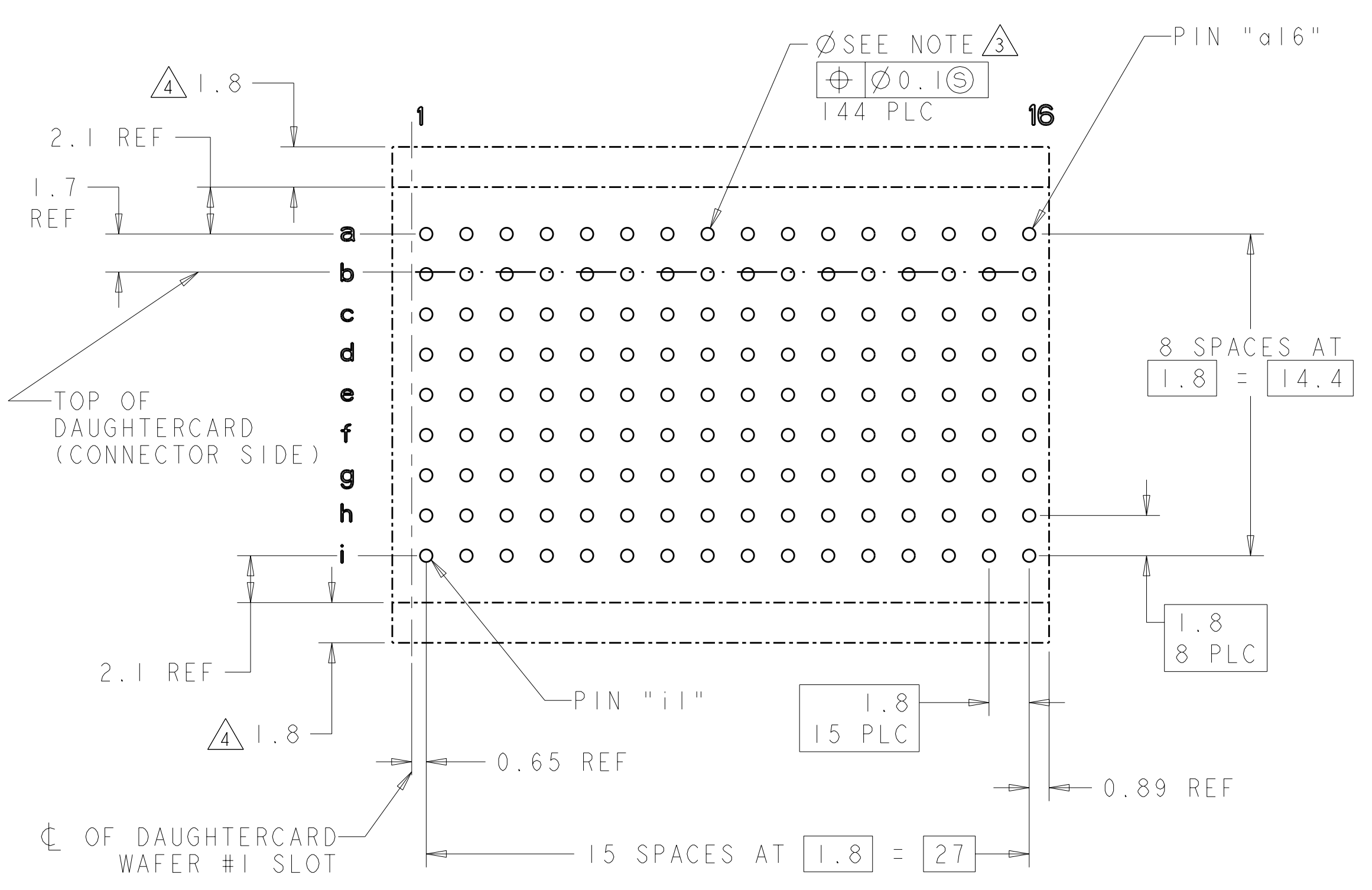


LOC	DIST	REV	DATE	BY	APPD
GP	00	D	08SEP2011	HMR	AS
REVISIONS					
DESCRIPTION			DATE	BY	APPD
REVISED PER ECO-11-003271			08SEP2011	HMR	AS

COLUMN 1 THRU 8
CONTACTS NOT LOADED
EXCEPT i1, i2, i3, i4, i5, i6, i7, i8



- △ HOUSING: LCP, UL94V0, COLOR: BLACK.
CONTACT: PHOSPHOR BRONZE.
- △ FINISH: 1.27µm GOLD IN CONTACT AREA 1.27µm MIN. TIN-LEAD ON PCB TAIL OVER 3.81µm MIN. NICKEL OVER ALL.
- △ MANUFACTURING TOLERANCE FOR:
Ø0.56±0.05 FINISHED HOLE WITH Sn PB PLATING:
DRILLED HOLE = Ø0.65±0.02
COPPER PLATING = 0.025-0.050
Sn PB PLATING = 0.0038-0.0124
OR
Ø0.575±0.05 FINISHED HOLE WITHOUT Sn PB PLATING:
DRILLED HOLE = Ø0.65±0.02
COPPER PLATING = 0.025-0.050
- △ ADDITIONAL CONNECTOR-SIDE KEEP-OUT AREA REQUIRED IF CONNECTOR-SIDE EXTRACTION TOOL IS TO BE USED.
- △ FINISH: 1.27µm GOLD IN CONTACT AREA 1.27µm MIN. TIN ON PCB TAIL OVER 3.81µm MIN. NICKEL OVER ALL.



PC BOARD LAYOUT
(CONNECTOR SIDE)
SCALE 5:1

1410966-2	5
1410966-1	2
PART NO	PLATING

THIS DRAWING IS A CONTROLLED DOCUMENT.		OWN: TREA 27FEB2006	NAME: CONNECTOR ASSEMBLY, BACKPLANE VERTICAL RECEPTACLE, CENTER, 20.3mm, MULTIGIG RT 2	
DIMENSIONS: mm		CHK: G. GRIFFITH 27FEB2006	RESTRICTED TO: -	
TOLERANCES UNLESS OTHERWISE SPECIFIED:		APPD: G. GRIFFITH 27FEB2006	SCALE: 8:1	
9 PLC ±		PRODUCT SPEC: 108-2072	SHEET: 1 OF 1	
3 PLC ±0.5		APPLICATION SPEC: 114-13056	REV: D	
5 PLC ±		WEIGHT: -	CAGE CODE: A100779	
4 PLC ±		FINISH: ±1°	DRAWING NO: 1410966	
ANGLES ±		CUSTOMER DRAWING	SCALE: 8:1	