



Chipsmall Limited consists of a professional team with an average of over 10 year of expertise in the distribution of electronic components. Based in Hongkong, we have already established firm and mutual-benefit business relationships with customers from,Europe,America and south Asia,supplying obsolete and hard-to-find components to meet their specific needs.

With the principle of “Quality Parts,Customers Priority,Honest Operation,and Considerate Service”,our business mainly focus on the distribution of electronic components. Line cards we deal with include Microchip,ALPS,ROHM,Xilinx,Pulse,ON,Everlight and Freescale. Main products comprise IC,Modules,Potentiometer,IC Socket,Relay,Connector.Our parts cover such applications as commercial,industrial, and automotives areas.

We are looking forward to setting up business relationship with you and hope to provide you with the best service and solution. Let us make a better world for our industry!



Contact us

Tel: +86-755-8981 8866 Fax: +86-755-8427 6832

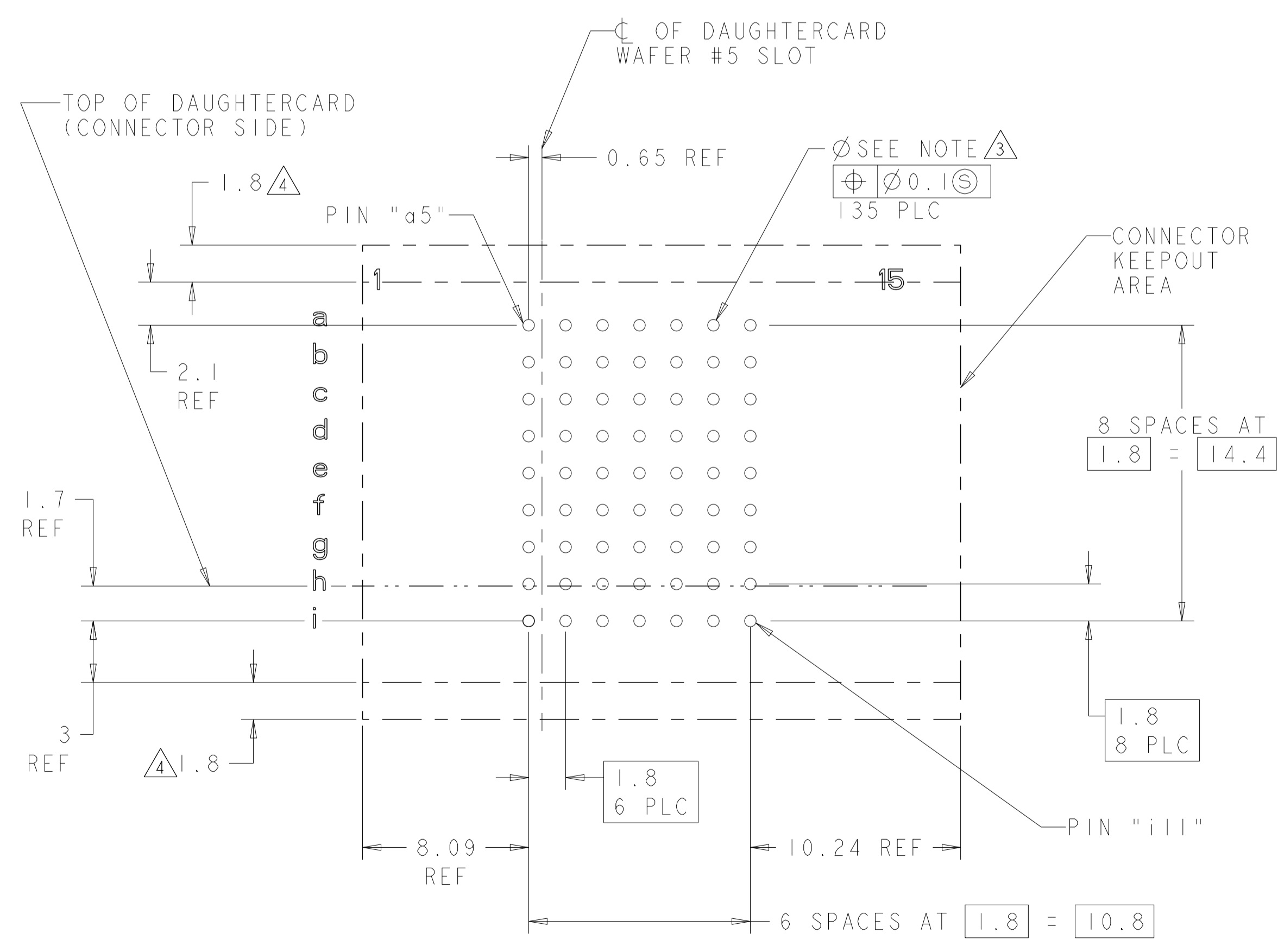
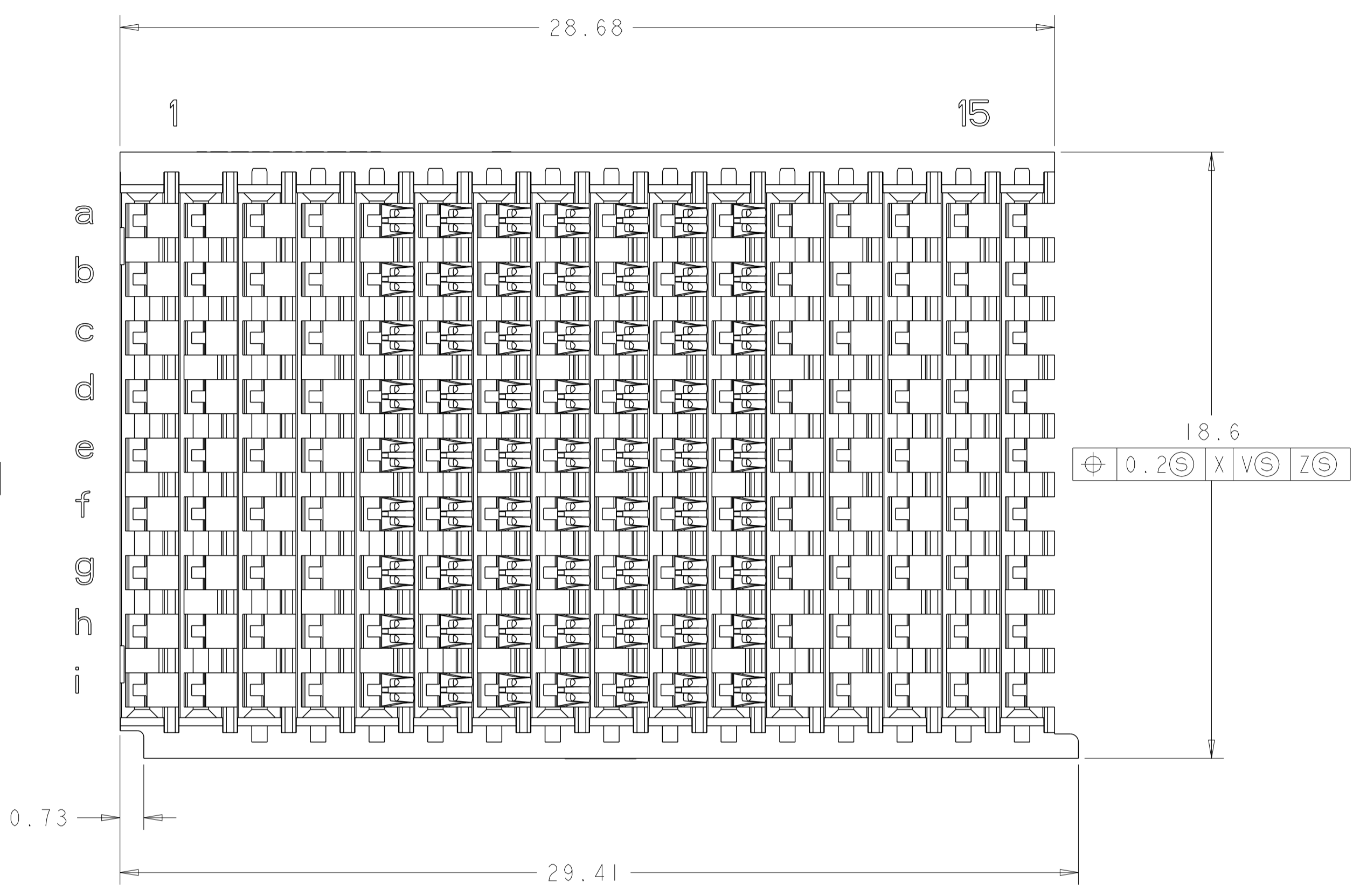
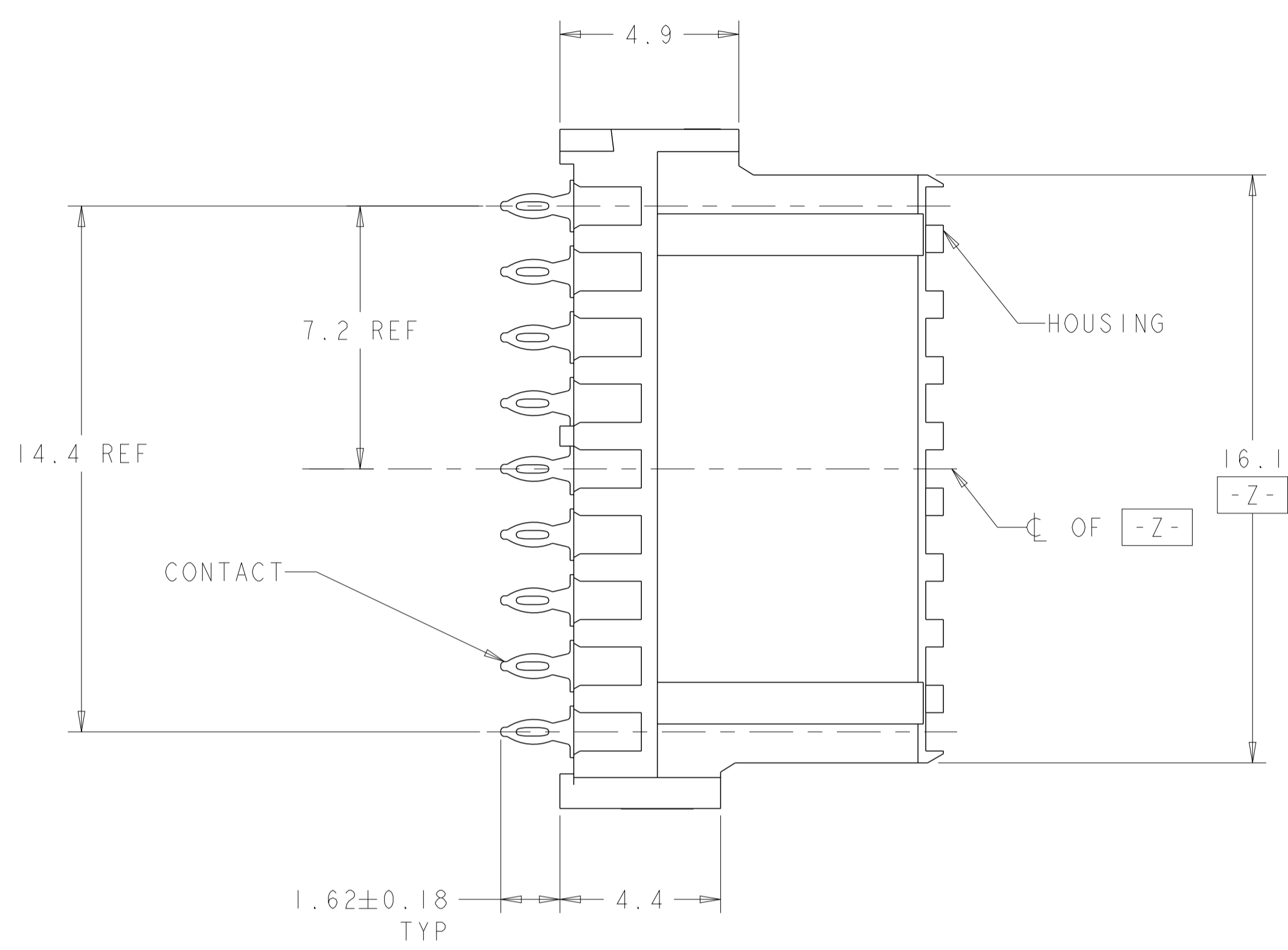
Email & Skype: info@chipsmall.com Web: www.chipsmall.com

Address: A1208, Overseas Decoration Building, #122 Zhenhua RD., Futian, Shenzhen, China

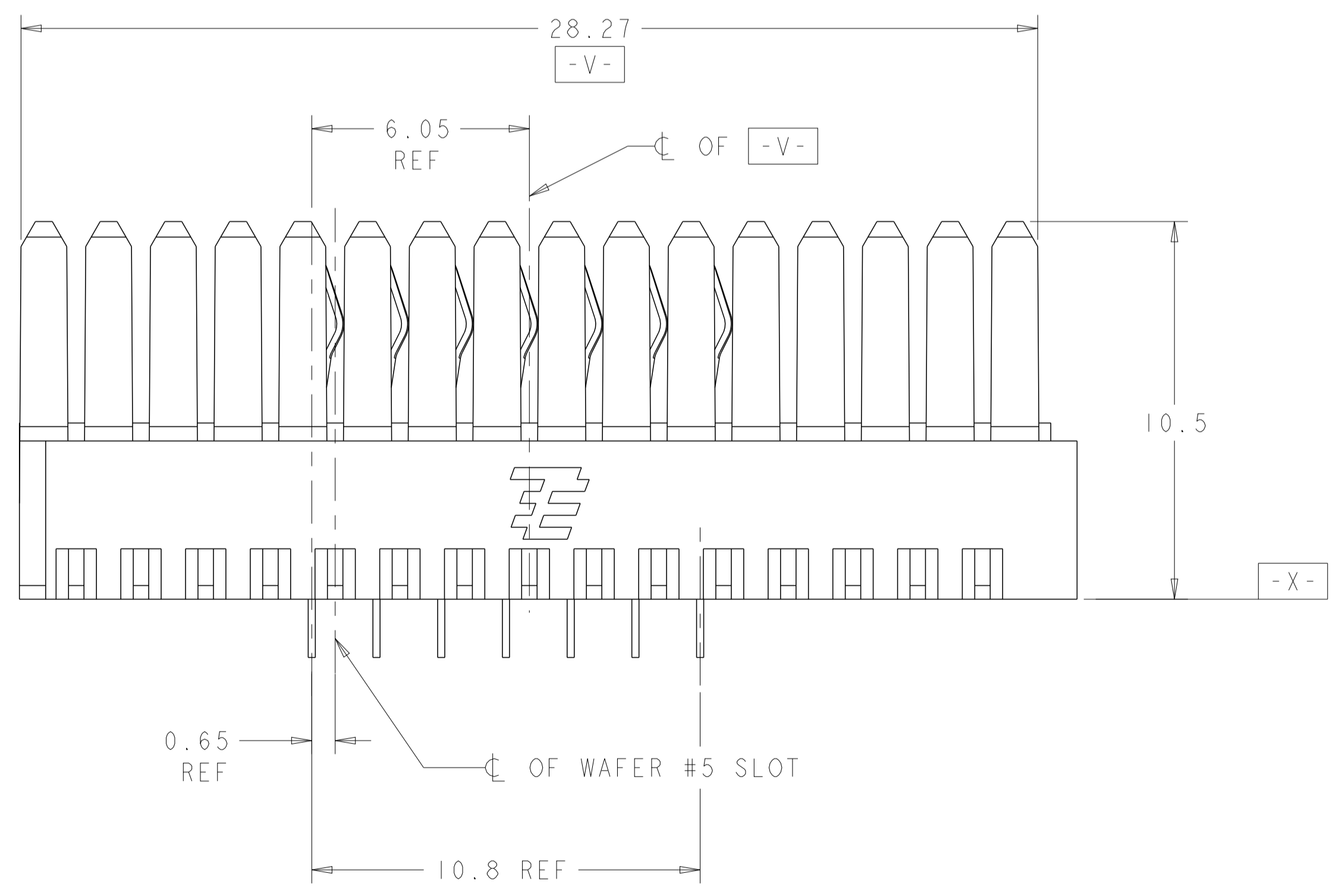


LOC	DIST	REVISIONS					
GP	00	P	LTN	DESCRIPTION	DATE	DWN	APVD
		B1		REVISED PER ECO-12-011792	20JUL2012	KH	AS

- △ HOUSING: LCP, UL94V0, COLOR: BLACK. CONTACT: PHOSPHOR BRONZE.
- △ FINISH: 1.27µm GOLD IN CONTACT AREA 1.27µm MIN. TIN-LEAD ON PCB TAIL OVER 3.81µm MIN. NICKEL OVER ALL.
- △ PLATE THROUGH HOLE PER 114-13056, FIGURE 4.
- △ ADDITIONAL CONNECTOR-SIDE KEEPOUT AREA REQUIRED IF CONNECTOR-SIDE EXTRACTION TOOL IS TO BE USED.
- △ CONTACT: 1.27µm MIN GOLD IN CONTACT AREA 0.5µm MIN TIN ON PCB TAIL OVER 3.81µm MIN NICKEL OVER ALL. POST 3.81µm MIN NICKEL PLATED.



PC BOARD LAYOUT (CONNECTOR SIDE) SCALE 5:1



△	FOR USE WITH DAUGHTERCARDS ONLY	1410992-4
△	FOR USE WITH DAUGHTERCARDS ONLY	1410992-3
FINISH	NOTES	PART NO

THIS DRAWING IS A CONTROLLED DOCUMENT.

DIMENSIONS:	TOLERANCES UNLESS OTHERWISE SPECIFIED:	DWN B. CARBO 28JUN2006	NAME
mm	0 PLC ±0.5	CHK G. GRIFFITH 28JUN2006	CONNECTOR ASSEMBLY, BACKPLANE, 15 COLUMN W/7 COLUMNS, VERTICAL RECEPTACLE, CENTER 20.3mm, MultiGig RT 2
	1 PLC ±0.13	APVD G. GRIFFITH 28JUN2006	SIZE
	2 PLC ±0.13	PRODUCT SPEC	CAGE CODE
	3 PLC ±0.13	APPLICATION SPEC	DRAWING NO
	4 PLC ±0.13	114-13056	RESTRICTED TO
ANGLES	±1°	WEIGHT	A100779C=1410992
MATERIAL	SEE TABLE	CUSTOMER DRAWING	SCALE 8:1 SHEET 1 OF 1 REV B1