



Chipsmall Limited consists of a professional team with an average of over 10 year of expertise in the distribution of electronic components. Based in Hongkong, we have already established firm and mutual-benefit business relationships with customers from,Europe,America and south Asia,supplying obsolete and hard-to-find components to meet their specific needs.

With the principle of “Quality Parts,Customers Priority,Honest Operation,and Considerate Service”,our business mainly focus on the distribution of electronic components. Line cards we deal with include Microchip,ALPS,ROHM,Xilinx,Pulse,ON,Everlight and Freescale. Main products comprise IC,Modules,Potentiometer,IC Socket,Relay,Connector.Our parts cover such applications as commercial,industrial, and automotives areas.

We are looking forward to setting up business relationship with you and hope to provide you with the best service and solution. Let us make a better world for our industry!



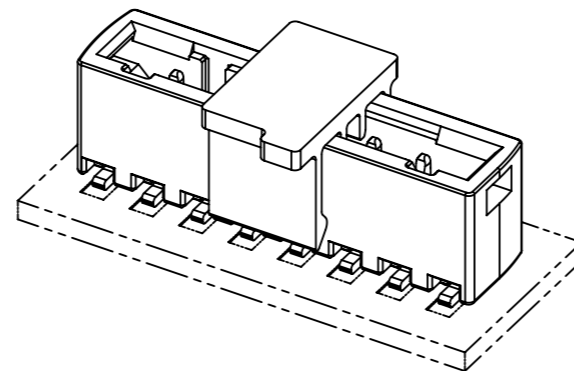
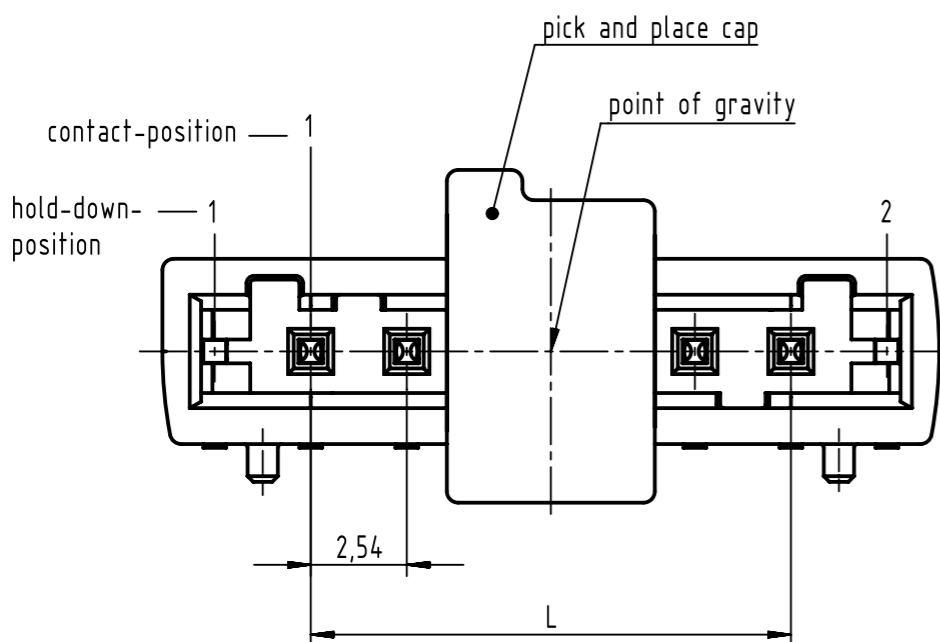
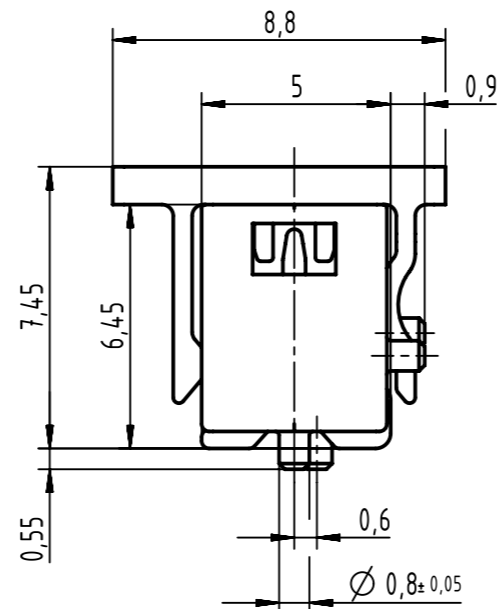
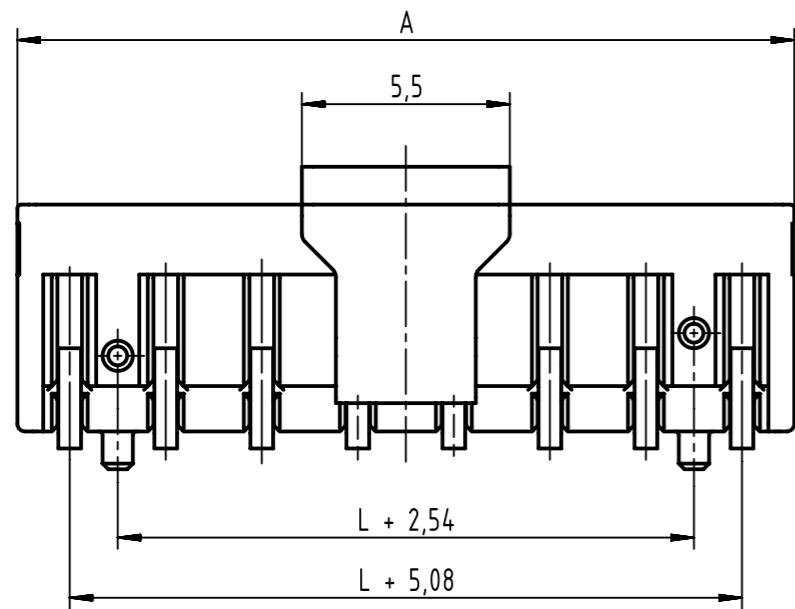
Contact us

Tel: +86-755-8981 8866 Fax: +86-755-8427 6832

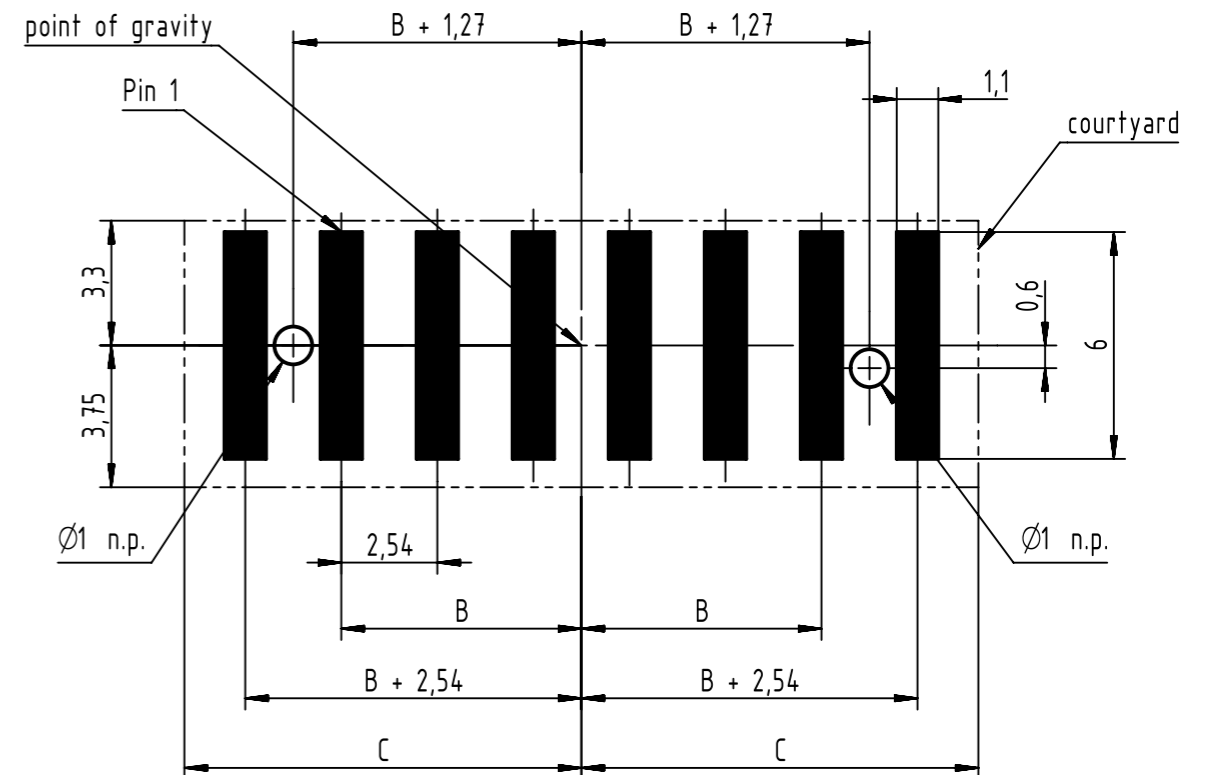
Email & Skype: info@chipsmall.com Web: www.chipsmall.com

Address: A1208, Overseas Decoration Building, #122 Zhenhua RD., Futian, Shenzhen, China





footprint and courtyard / component area



further information see: DS 14111400301

12	14111213001XXX	27,94	35,79	13,97	18,12
11	14111113001XXX	25,40	33,25	12,7	16,85
10	14111013001XXX	22,86	30,71	11,43	15,58
9	14110913001XXX	20,32	28,17	10,16	14,31
8	14110813001XXX	17,78	25,63	8,89	13,04
7	14110713001XXX	15,24	23,09	7,62	11,77
6	14110613001XXX	12,70	20,55	6,35	10,5
5	14110513001XXX	10,16	18,01	5,08	9,23
4	14110413001XXX	7,62	15,47	3,81	7,96
3	14110313001XXX	5,08	12,93	2,54	6,69
2	14110213001XXX	2,54	10,39	1,27	5,42
number of contacts	part-number	L = 2,54 x (pole -1)	A	B = L/2	C

	All rights reserved Department EC PD - DE	Created by HASSE	Inspected by FRIESENH	Standardisation KOHLER	Date 2013-10-09	State Final Release	Ref. Sub.
HARTING Electronics GmbH D-32339 Espelkamp		Title har-flexicon male connector, vertical			Doc-Key / ECM-Nr. 100228421/UGD/046/C 50000067057		Rev. C
		Type TB	Number 1411XX13001XXX				Page 1/1