



Chipsmall Limited consists of a professional team with an average of over 10 year of expertise in the distribution of electronic components. Based in Hongkong, we have already established firm and mutual-benefit business relationships with customers from,Europe,America and south Asia,supplying obsolete and hard-to-find components to meet their specific needs.

With the principle of “Quality Parts,Customers Priority,Honest Operation,and Considerate Service”,our business mainly focus on the distribution of electronic components. Line cards we deal with include Microchip,ALPS,ROHM,Xilinx,Pulse,ON,Everlight and Freescale. Main products comprise IC,Modules,Potentiometer,IC Socket,Relay,Connector.Our parts cover such applications as commercial,industrial, and automotives areas.

We are looking forward to setting up business relationship with you and hope to provide you with the best service and solution. Let us make a better world for our industry!



Contact us

Tel: +86-755-8981 8866 Fax: +86-755-8427 6832

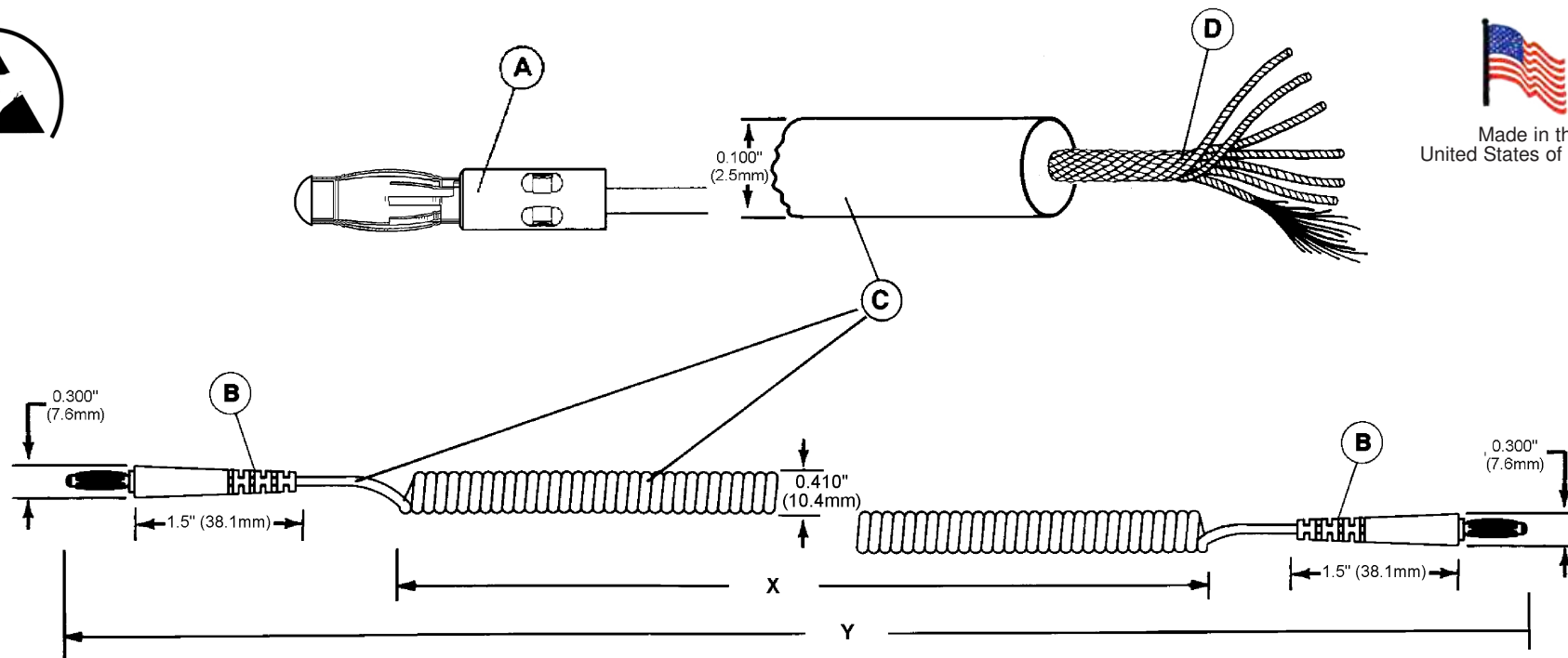
Email & Skype: info@chipsmall.com Web: www.chipsmall.com

Address: A1208, Overseas Decoration Building, #122 Zhenhua RD., Futian, Shenzhen, China





Made in the United States of America



Banana-Banana Coil Cord allows cart users to ground carts to common grounding point on a bench.

A. Patented* barrel type banana plug with machined contour spring support. Crimped uniformly from 4 sides for maximum strength. Fits industry standard banana jack $\geq .157$ ". Will maintain greater than 1 pound disengagement force over the life of the cord.

B. Thermoplastic elastomer strain relief molded on. Bending Life Test average $>1,000,000$ cycles per ANSI/ESD S20.20 (Tested per ESD S1.1). Break load average 30 pounds.

C. Wire insulation black color PVC. Break load average 30 pounds.

D. Single T-2940 tinsel conductor. Consisting of 7 strands of polyester wrapped with copper. High flex life. Equivalent is 29 gauge (cir mil and/or ohms).

ITEM	Retracted Length		Extended Length	
	X	Y	Nominal	Max
14113	24"	32"	12'	17'
14114	30"	38"	15'	22'

Unless otherwise noted, tolerance is $\pm 10\%$

*U.S. Patent 5951337

Specifications and procedures subject to change without notice.

Relaxed Retraction Coil Cords

DESCO

DESCO WEST: 3651 WALNUT AVE., CHINO, CA 91710 WEB SITE: Desco.com
PHONE (909) 627-8178 FAX (909) 627-7449

DESCO EAST: ONE COLGATE WAY, CANTON, MA 02021-1407
PHONE (781) 821-8370 FAX (781) 575-0172

DRAWING NUMBER
14113

DATE:
September
2011