



Chipsmall Limited consists of a professional team with an average of over 10 year of expertise in the distribution of electronic components. Based in Hongkong, we have already established firm and mutual-benefit business relationships with customers from,Europe,America and south Asia,supplying obsolete and hard-to-find components to meet their specific needs.

With the principle of “Quality Parts,Customers Priority,Honest Operation,and Considerate Service”,our business mainly focus on the distribution of electronic components. Line cards we deal with include Microchip,ALPS,ROHM,Xilinx,Pulse,ON,Everlight and Freescale. Main products comprise IC,Modules,Potentiometer,IC Socket,Relay,Connector.Our parts cover such applications as commercial,industrial, and automotives areas.

We are looking forward to setting up business relationship with you and hope to provide you with the best service and solution. Let us make a better world for our industry!



Contact us

Tel: +86-755-8981 8866 Fax: +86-755-8427 6832

Email & Skype: info@chipsmall.com Web: www.chipsmall.com

Address: A1208, Overseas Decoration Building, #122 Zhenhua RD., Futian, Shenzhen, China



Technical specification:

Rated voltage: 4pos 5pos
IEC 61076-2-101 250 V 60 V

Current rating: 4 A at 40°C
IEC 61076-2-101

Insulation resistance: >=100 MΩ
IEC 60512

Pollution degree: 3/2
IEC 60664-1

Degree of protection: IP 67, in mated condition
IEC 60529

Temperature range: -30°C ... +130°C
EN 60512-11-10 -40°C
EN 60512-11-4 -40°C ... +130°C
UL 2238 -30°C ... +130°C

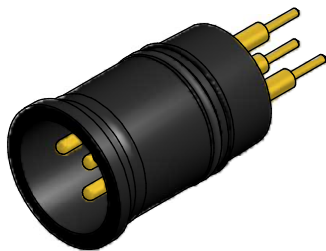
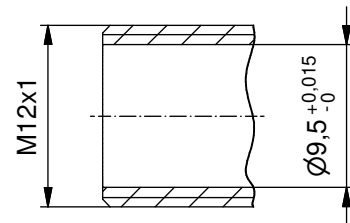
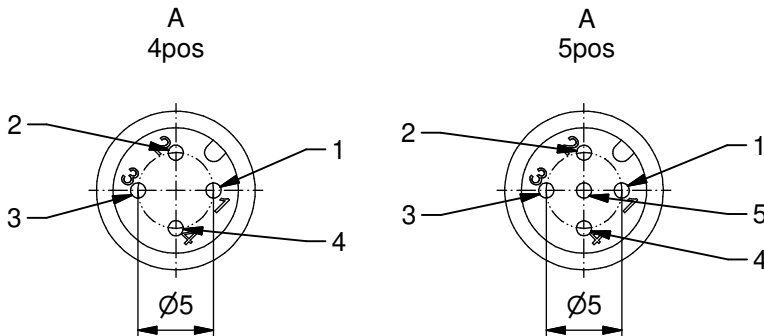
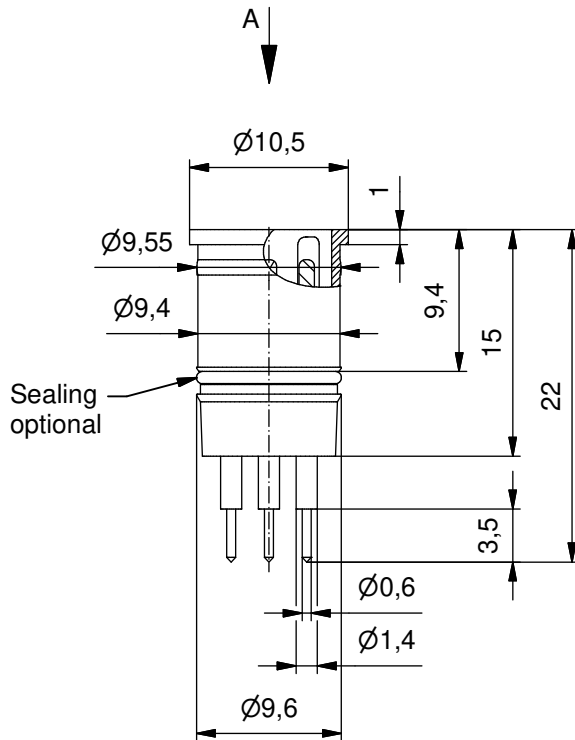
Mating cycles: >=100
IEC 60512-9a

Materials:

Contact: CuZn, Ni b / Au 0,2 gal.

Contact carrier: PA GF, UL 94 V-0 like RAL9005

Sealing: FPM



Part no:	Description:	Pos	Construction:
43-01683	SAL - 12 - ES4 - P	4	without sealing
43-01688	SAL - 12 - ES5.1 - P	5	without sealing
43-01699	SAL - 12 - ESO4 - P	4	with sealing
43-01700	SAL - 12 - ESO5.1 - P	5	with sealing

DO NOT ALTER CAD DRAWING BY HAND	RoHS & REACH compliant	Index: d 11.06.15 fro Ä5678 UL adaptation		dim. in mm		title: Panel plug M12x1 with dip solder	
			date	name			
			drawn	28.09.10	Franz		dwg no: 43K1A1196
			appd.	28.09.10	Mankopf		
general tolerance:		0 ± 0,50mm					
		0,0 ± 0,25mm					
		0,00 ± 0,10mm					
		* ± 1,5°					
THIS DRAWING MAY NOT BE COPIED OR REPRODUCED IN ANY WAY, AND MAY NOT BE PASSED ON TO A THIRD PARTY WITHOUT WRITTEN PERMISSION. OWNERSHIP AND COPYRIGHT OF CONEC GmbH							