



Chipsmall Limited consists of a professional team with an average of over 10 year of expertise in the distribution of electronic components. Based in Hongkong, we have already established firm and mutual-benefit business relationships with customers from,Europe,America and south Asia,supplying obsolete and hard-to-find components to meet their specific needs.

With the principle of “Quality Parts,Customers Priority,Honest Operation,and Considerate Service”,our business mainly focus on the distribution of electronic components. Line cards we deal with include Microchip,ALPS,ROHM,Xilinx,Pulse,ON,Everlight and Freescale. Main products comprise IC,Modules,Potentiometer,IC Socket,Relay,Connector.Our parts cover such applications as commercial,industrial, and automotives areas.

We are looking forward to setting up business relationship with you and hope to provide you with the best service and solution. Let us make a better world for our industry!



Contact us

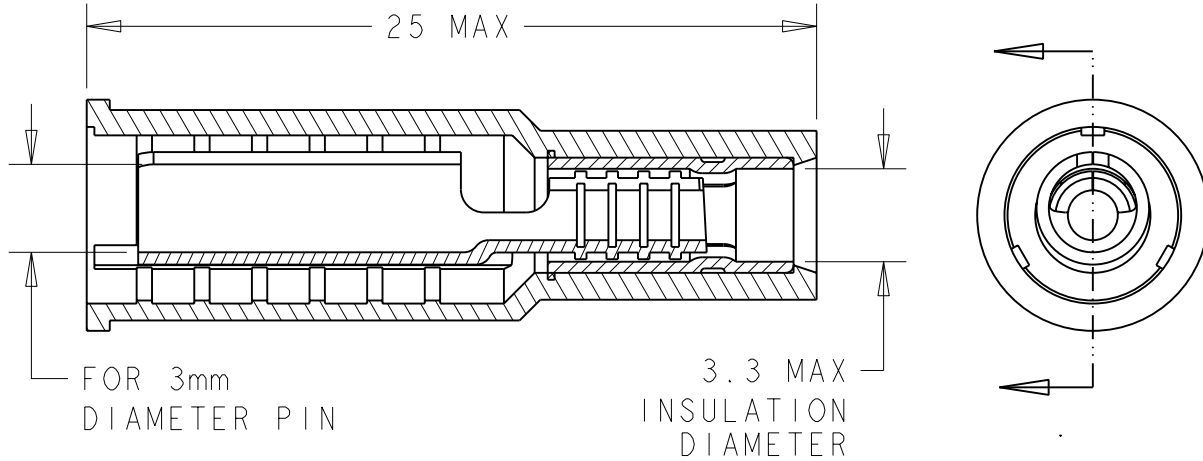
Tel: +86-755-8981 8866 Fax: +86-755-8427 6832

Email & Skype: info@chipsmall.com Web: www.chipsmall.com

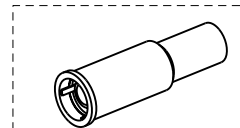
Address: A1208, Overseas Decoration Building, #122 Zhenhua RD., Futian, Shenzhen, China



LOC	DIST	REVISIONS					
		P	LTR	DESCRIPTION	DATE	DWN	APVD
-	-		A	AJOUTE 141456-2	11/1/84	GR	GR
			B	REDRAWN IN CAD	19/10/07	NH	GR



OBSOLETE	141456-2	BLACK
	141456-1	RED
	TE PN	COLOUR



SCALE 1:1
141456-1
AS SHOWN

DIMENSIONS: mm	DWN NIRANJAN HEGDE 19OCT2007	MATERIAL	-	FINISH	-
	CHK SHIVAPRAKASH K R 19OCT2007	Tyco Electronics France, SAS 95300 Pontoise, France			
TOLERANCES UNLESS OTHERWISE SPECIFIED:	APVD ROBERT GERARD 19OCT2007				
0 PLC ± -	PRODUCT SPEC	NAME DOUILLE ISOLEE POUR BROCHE DE 3 mm			
1 PLC ± -	-				
2 PLC ± -	APPLICATION SPEC	SIZE	CAGE CODE	DRAWING NO	RESTRICTED TO
3 PLC ± -	-	A 4	-	C-141456	-
4 PLC ± -	WEIGHT	CUSTOMER DRAWING			
ANGLES ± -	-	SCALE	4:1	SHEET	1 OF 1
		REV B			

RELEASED FOR PUBLICATION

BY TYCO ELECTRONICS CORPORATION. ALL RIGHTS RESERVED.

© COPYRIGHT