



Chipsmall Limited consists of a professional team with an average of over 10 year of expertise in the distribution of electronic components. Based in Hongkong, we have already established firm and mutual-benefit business relationships with customers from,Europe,America and south Asia,supplying obsolete and hard-to-find components to meet their specific needs.

With the principle of “Quality Parts,Customers Priority,Honest Operation,and Considerate Service”,our business mainly focus on the distribution of electronic components. Line cards we deal with include Microchip,ALPS,ROHM,Xilinx,Pulse,ON,Everlight and Freescale. Main products comprise IC,Modules,Potentiometer,IC Socket,Relay,Connector.Our parts cover such applications as commercial,industrial, and automotives areas.

We are looking forward to setting up business relationship with you and hope to provide you with the best service and solution. Let us make a better world for our industry!



Contact us

Tel: +86-755-8981 8866 Fax: +86-755-8427 6832

Email & Skype: info@chipsmall.com Web: www.chipsmall.com

Address: A1208, Overseas Decoration Building, #122 Zhenhua RD., Futian, Shenzhen, China



Cable gland - HC-B-GTRS-M32-PLRBK - 1414654

Please be informed that the data shown in this PDF Document is generated from our Online Catalog. Please find the complete data in the user's documentation. Our General Terms of Use for Downloads are valid (<http://phoenixcontact.com/download>)

Set consisting of: EVO plastic adapter 1414245 and plastic screw connection with terminal block 1415191, M32



Key Commercial Data

Packing unit	1 STK
Custom tariff number	39269097
Country of origin	Poland

Technical data

Dimensions

Wrench size, union nut	36 mm
Wrench size, support	36 mm
External cable diameter	13 mm ... 21 mm

Ambient conditions

Ambient temperature (operation)	-40 °C ... 100 °C
---------------------------------	-------------------

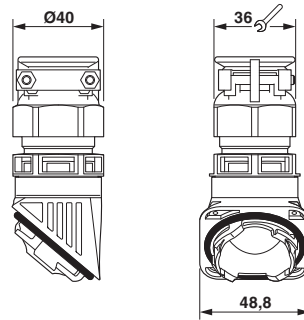
General

Type of the screw connection	M32
No. of conductors	1
Material	Polyamide
Housing material	Polyamide
Cable gland material	Polyamide
Shielded	No
Thread type on connection side	Bayonet B plastic

Cable gland - HC-B-GTRS-M32-PLRBK - 1414654

Drawings

Dimensional drawing



Dimensional drawing

Classifications

eCl@ss

eCl@ss 5.1	27143424
eCl@ss 6.0	27261207
eCl@ss 8.0	27149109
eCl@ss 9.0	27144432

ETIM

ETIM 5.0	EC000441
----------	----------

Approvals

Approvals

Approvals

EAC

Ex Approvals

Approvals submitted

Approval details

Cable gland - HC-B-GTRS-M32-PLRBK - 1414654

Approvals

EAC
