



Chipsmall Limited consists of a professional team with an average of over 10 year of expertise in the distribution of electronic components. Based in Hongkong, we have already established firm and mutual-benefit business relationships with customers from,Europe,America and south Asia,supplying obsolete and hard-to-find components to meet their specific needs.

With the principle of “Quality Parts,Customers Priority,Honest Operation,and Considerate Service”,our business mainly focus on the distribution of electronic components. Line cards we deal with include Microchip,ALPS,ROHM,Xilinx,Pulse,ON,Everlight and Freescale. Main products comprise IC,Modules,Potentiometer,IC Socket,Relay,Connector.Our parts cover such applications as commercial,industrial, and automotives areas.

We are looking forward to setting up business relationship with you and hope to provide you with the best service and solution. Let us make a better world for our industry!



Contact us

Tel: +86-755-8981 8866 Fax: +86-755-8427 6832

Email & Skype: info@chipsmall.com Web: www.chipsmall.com

Address: A1208, Overseas Decoration Building, #122 Zhenhua RD., Futian, Shenzhen, China

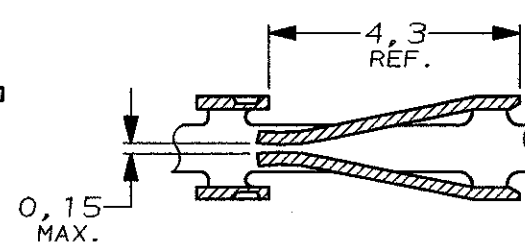
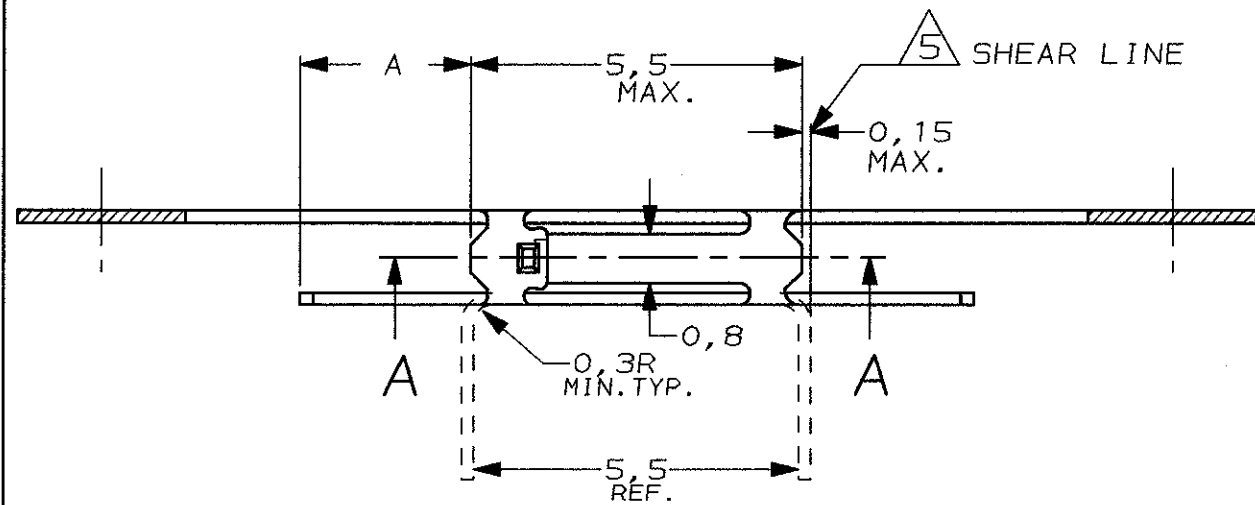
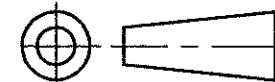


DO NOT SCALE

DIMENSIONS IN mm

METRIC

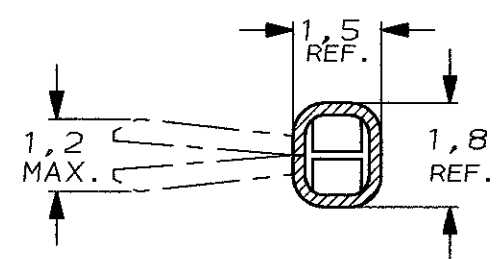
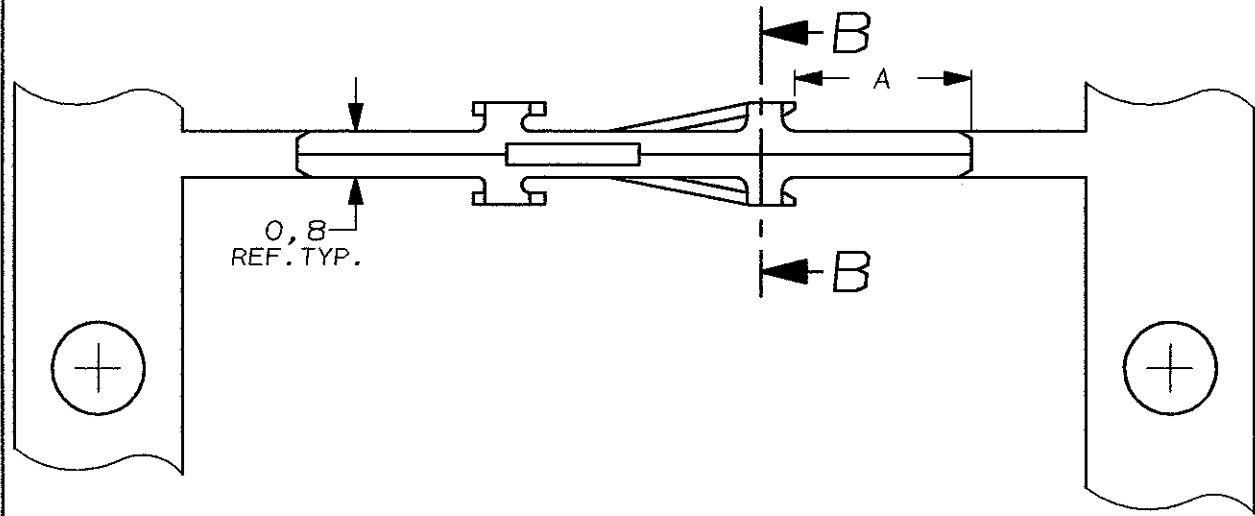
THIRD ANGLE
PROJECTION



SECTION A-A

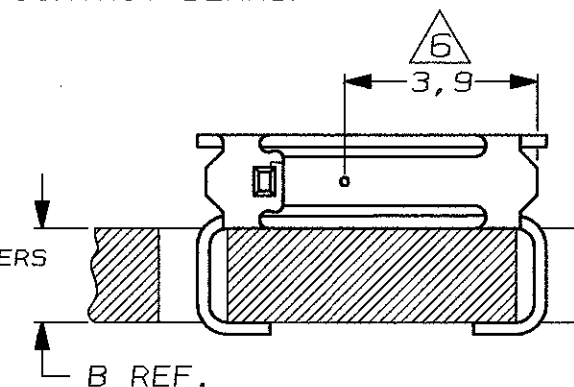
NOTES:

- 1 MATERIAL: PHOSPHORBRONZE.
- 2 CONTACTZONE 0,8µm GOLD OVER 1,25 NICKEL. OVER ENTIRE CONTACT.
- 3 SOLDER TINES 2,0 µm TIN/LEAD.
- 4 SHEAR LINES DEFINE LOOSE PIECE PART.
- 5 TERMINALS REELED FOR AMP MODU MINI-APPLICATOR.
- 6 POINT OF MEASUREMENT FOR PLATING THICKNESS (INSIDE CONTACT BEAMS)



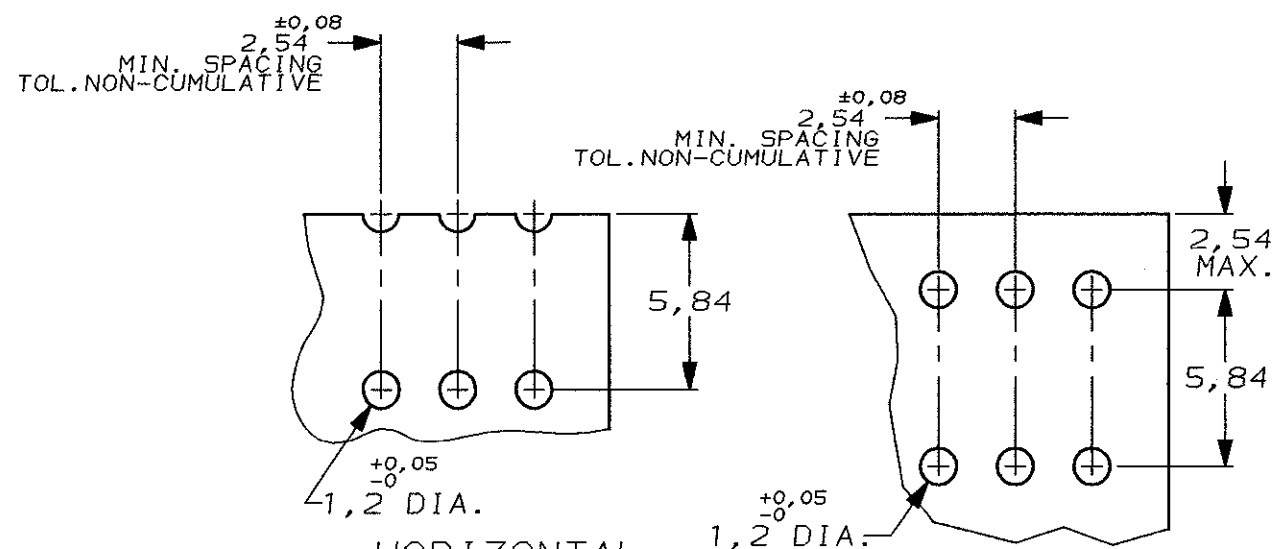
SECTION B-B

THICKNESS OF CUSTOMERS
P.C. BOARD



TYPICAL APPLICATION

- 7 90° BENDED TYNES FOR LOOSE PIECE VERSIONS ONLY.
- 8 BENDING OF TYNES OF STRIP VERSIONS WILL TAKE PLACE IN APPLICATION TOOL.



HORIZONTAL
RECOMMENDED P-C BOARD LAYOUT

-	-		-	-
1,6	2,9	2/3	141579-2	141579-4
1,6	2,9	2	141579-1	-
B	A	FINISH	8 PARTNUMBER STRIP	7 PARTNUMBER L.P.

CUSTOMER DRAWING		AMP		AMP-HOLLAND B.V. s-Hertogenbosch, The Netherlands.	
FOR REFERENCE ONLY WILL NOT BE UPDATED		THIS DRAWING IS UNPUBLISHED RELEASED FOR PUBLICATION 19			
© COPYRIGHT 19- BY AMP-HOLLAND B.V. ALL INTERNATIONAL RIGHTS RESERVED. AMP PRODUCTS MAY BE COVERED BY U.S. AND FOREIGN PATENTS AND/OR PATENTS PENDING.					
DR. P. BEIJNON	DATE 10-12-90	WIRE RANGE -	NAME -		REV. DATE D M Y
CHK. R. ANNOKKEE	DATE -	INSUL. RANGE -	CONTACT, RECEPTACLE, MOD II, TYPE C		061100
APP. L. V. SOEST	DATE -	SIZE A3	SHEET 1 OF 1	DWG. No. 141579	REV. LTR. B

8 | 7 | 6 | 5 | 4 | 3 | 2 | 1