



Chipsmall Limited consists of a professional team with an average of over 10 year of expertise in the distribution of electronic components. Based in Hongkong, we have already established firm and mutual-benefit business relationships with customers from,Europe,America and south Asia,supplying obsolete and hard-to-find components to meet their specific needs.

With the principle of "Quality Parts,Customers Priority,Honest Operation,and Considerate Service",our business mainly focus on the distribution of electronic components. Line cards we deal with include Microchip,ALPS,ROHM,Xilinx,Pulse,ON,Everlight and Freescale. Main products comprise IC,Modules,Potentiometer,IC Socket,Relay,Connector.Our parts cover such applications as commercial,industrial, and automotives areas.

We are looking forward to setting up business relationship with you and hope to provide you with the best service and solution. Let us make a better world for our industry!



## Contact us

Tel: +86-755-8981 8866 Fax: +86-755-8427 6832

Email & Skype: info@chipsmall.com Web: www.chipsmall.com

Address: A1208, Overseas Decoration Building, #122 Zhenhua RD., Futian, Shenzhen, China



# 1400N series

## Momentary pushbutton switches - snap-in mounting - square plunger

*Distinctive features and specifications*

UG1410A



- Butt action contacts, double break
- Solder lug, straight PC and quick-connect terminals

### ELECTRICAL SPECIFICATIONS

- Max. current/voltage rating with resistive load :
  - silver contacts (A) : 6A 12VDC
  - silver plated copper contacts (C) : 3A 12VDC
- Initial contact resistance : 10 mΩ
- Insulation resistance : 1.000 MΩ min. at 500VDC
- Dielectric strength :
  - 1.500 Vrms 50 Hz min. between terminals
  - 2.000 Vrms 50 Hz min. between terminals and metal panel
- Electrical life : 10.000 cycles at full load

### MATERIALS

- Case : polyamide
- Plunger : polyamide
- Contacts :
  - A : silver
  - C : copper, silver plated

### GENERAL SPECIFICATIONS

- Panel thickness : 2 mm (.078) max.
- Operating temperature : -20°C to +55°C

**Dimensions** : first dimensions are in mm while inches are shown as bracketed numbers.



**Packaging unit** : 60 pieces.

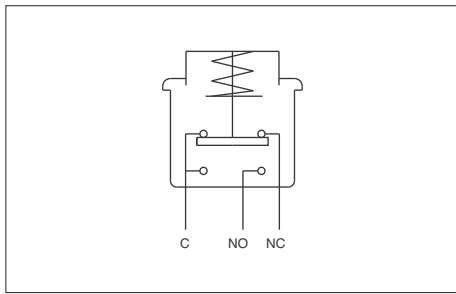
The company reserves the right to change specifications without notice.



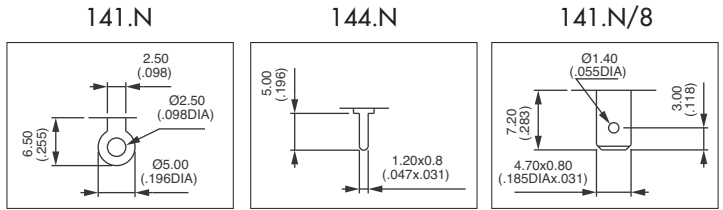
# 1400N series

## Momentary pushbutton switches - snap-in mounting - square plunger

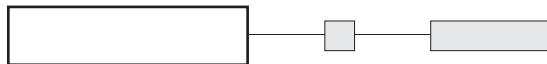
Solder lug, straight PC or quick-connect terminals



- Single pole configurations



MODEL STRUCTURE

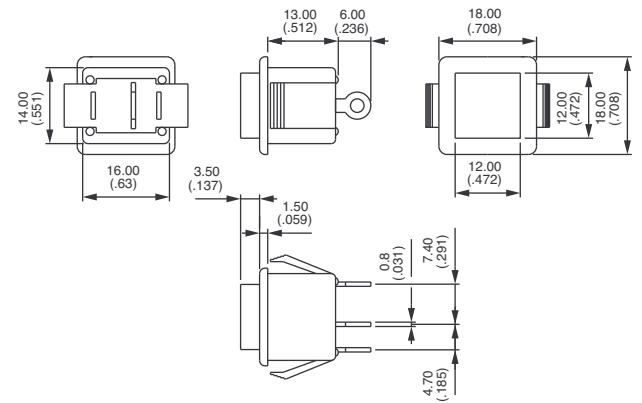


B2

### Solder lug terminals



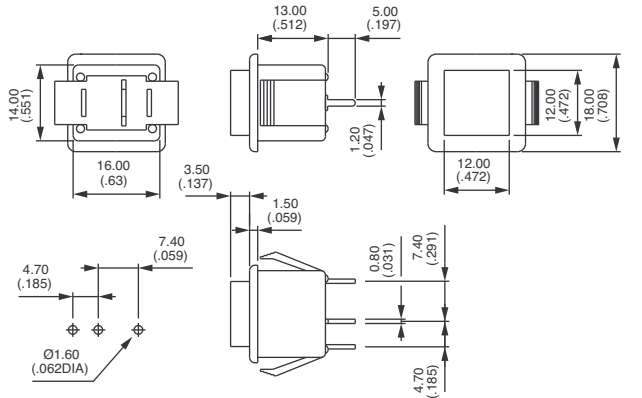
- |       |  |                 |
|-------|--|-----------------|
| 1412N |  | Normally Closed |
| 1413N |  | Normally Open   |
| 1415N |  | Changeover      |



### Straight PC terminals



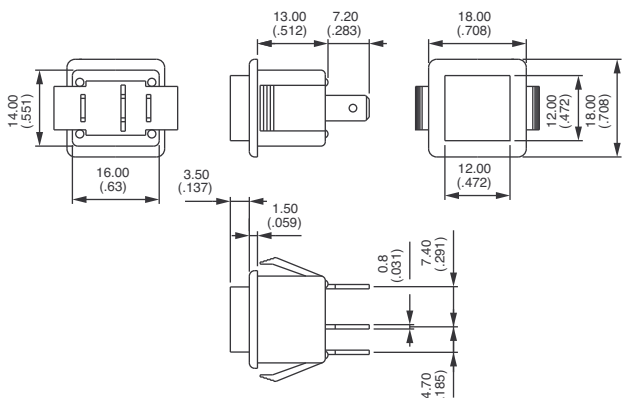
- |       |  |                 |
|-------|--|-----------------|
| 1442N |  | Normally Closed |
| 1443N |  | Normally Open   |
| 1445N |  | Changeover      |



### Quick-connect terminals 4,7 x 0,8 (.185 x .031)



- |         |  |                 |
|---------|--|-----------------|
| 1412N/8 |  | Normally Closed |
| 1413N/8 |  | Normally Open   |
| 1415N/8 |  | Changeover      |



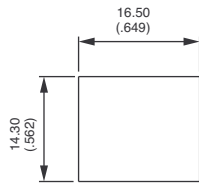
# 1400N series

Momentary pushbutton switches - snap-in mounting - square plunger

OPTIONS

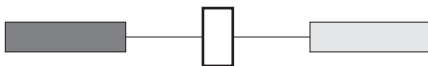


## PANEL CUT-OUT



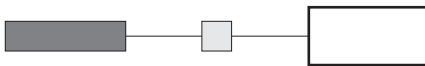
B2

## CONTACT MATERIALS



- A Silver
- C Copper, silver plated

## PLUNGER COLOURS



- 2 Black (standard)
- 3 Green
- 6 Red
- 7 Ivory



Switch frame supplied in black.