



Chipsmall Limited consists of a professional team with an average of over 10 year of expertise in the distribution of electronic components. Based in Hongkong, we have already established firm and mutual-benefit business relationships with customers from,Europe,America and south Asia,supplying obsolete and hard-to-find components to meet their specific needs.

With the principle of “Quality Parts,Customers Priority,Honest Operation,and Considerate Service”,our business mainly focus on the distribution of electronic components. Line cards we deal with include Microchip,ALPS,ROHM,Xilinx,Pulse,ON,Everlight and Freescale. Main products comprise IC,Modules,Potentiometer,IC Socket,Relay,Connector.Our parts cover such applications as commercial,industrial, and automotives areas.

We are looking forward to setting up business relationship with you and hope to provide you with the best service and solution. Let us make a better world for our industry!



Contact us

Tel: +86-755-8981 8866 Fax: +86-755-8427 6832

Email & Skype: info@chipsmall.com Web: www.chipsmall.com

Address: A1208, Overseas Decoration Building, #122 Zhenhua RD., Futian, Shenzhen, China



4

3

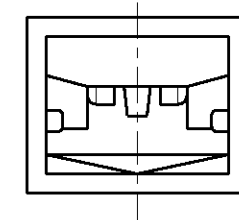
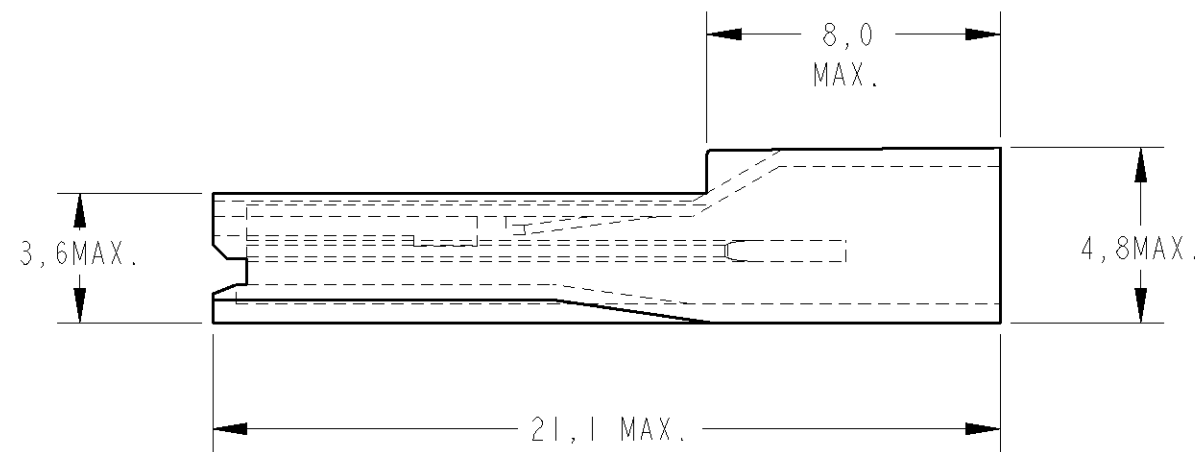
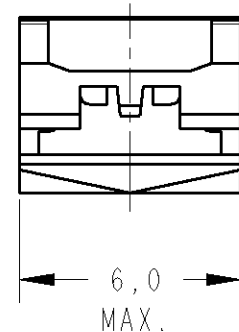
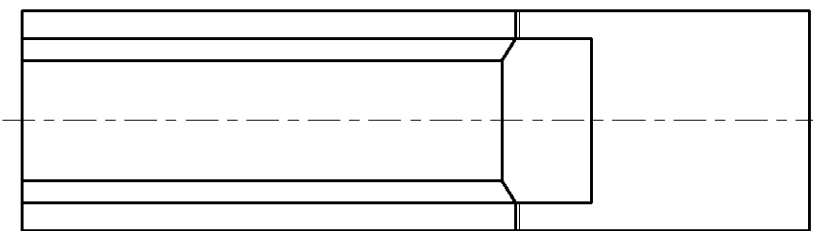
2

1

THIS DRAWING IS UNPUBLISHED. RELEASED FOR PUBLICATION 20
© COPYRIGHT 20 BY TYCO ELECTRONICS CORPORATION. ALL RIGHTS RESERVED.

LOC	DIST	REVISIONS				
P	LTR	DESCRIPTION	DATE	DWN	APVD	
AP	-					
	DI	REDRAWN BY CAD EC-LE10-0048/04	14JUL2004	MRB	PLF	
	E	REVISED BY LE10-0224/04	09SEP2004	H.C	WLS	
	F	REVISED BY LE10-0051/05	13APR2005	H.C	WLS	

CAD
Pro-E
DO NOT REVISE
EXCEPT BY CAD



△-MATÉRIA PRIMA CONFORME ESPECIFICAÇÃO IEC 60335-1, GWT 750°C, SEM CHAMA.
RAW MATERIAL ACC. TO SPEC. IEC 60335-1, GWT 750°C, WITHOUT FLAME.

	NATURAL	△ PA 6.6 V-0	141628-5
	PRETO/BLACK	PA 6.6 V2 ESTABILIZADO AO CALOR	141628-4
	AMARELO / YELLOW	PA 6.6 94 V2	141628-3
	NATURAL	PA 6.6 94 V2	141628-2
OBSOLETE	NATURAL	PA 6.6 94 V1	141628-1
	FINISH	MATERIAL	PART NUMBER

<small>THIS DRAWING IS A CONTROLLED DOCUMENT FOR TYCO ELECTRONICS CORPORATION IT IS SUBJECT TO CHANGE AND THE CONTROLLING ENGINEERING ORGANIZATION SHOULD BE CONTACTED FOR THE LATEST REVISION.</small>		DWN M.R.BRIZ 09JUN2004 CHK P.L.FARIA 14JUN2004 APVD H.LIVERARO 14JUN2004		tyco Electronics		TYCO ELECTRONICS do Brasil LTDA. Sao Paulo, Brasil	
DIMENSIONS: mm		TOLERANCES UNLESS OTHERWISE SPECIFIED: 0 PLC ±- 1 PLC ±0,3 2 PLC ±- 3 PLC ±- 4 PLC ±- ANGLES ±- FINISH		NAME FASTON RECEPTACLE HSG. .110 SERIES		RESTRICTED TO	
MATERIAL SEE TABLE		SEE TABLE		PRODUCT SPEC NA APPLICATION SPEC NA WEIGHT -/-		SIZE A3 CAGE CODE 00779 DRAWING NO C-141628	
CUSTOMER DRAWING				SCALE 5:1		SHEET 1 OF 1 REV F	