



Chipsmall Limited consists of a professional team with an average of over 10 year of expertise in the distribution of electronic components. Based in Hongkong, we have already established firm and mutual-benefit business relationships with customers from,Europe,America and south Asia,supplying obsolete and hard-to-find components to meet their specific needs.

With the principle of "Quality Parts,Customers Priority,Honest Operation,and Considerate Service",our business mainly focus on the distribution of electronic components. Line cards we deal with include Microchip,ALPS,ROHM,Xilinx,Pulse,ON,Everlight and Freescale. Main products comprise IC,Modules,Potentiometer,IC Socket,Relay,Connector.Our parts cover such applications as commercial,industrial, and automotives areas.

We are looking forward to setting up business relationship with you and hope to provide you with the best service and solution. Let us make a better world for our industry!



Contact us

Tel: +86-755-8981 8866 Fax: +86-755-8427 6832

Email & Skype: info@chipsmall.com Web: www.chipsmall.com

Address: A1208, Overseas Decoration Building, #122 Zhenhua RD., Futian, Shenzhen, China



Contact insert module - HC-M-05-PT-F - 1417373


Please be informed that the data shown in this PDF Document is generated from our Online Catalog. Please find the complete data in the user's documentation. Our General Terms of Use for Downloads are valid (<http://phoenixcontact.com/download>)



Contact insert module, Number of positions: 5, Socket, Push-in connection, 400 V, 16 A, 0.14 mm² ... 2.5 mm², Application: Power

RoHS

Key Commercial Data

| | |
|------------------------|---|
| Packing unit | 5 STK |
| Minimum order quantity | 5 STK |
| GTIN |  4 055626 112558 |
| GTIN | 4055626112558 |

Technical data

Dimensions

| | |
|--------|---------|
| Height | 34 mm |
| Width | 34.2 mm |
| Length | 14.6 mm |

Electrical characteristics

| | |
|-----------------------|--|
| Note | For HEAVYCON housing type B6 to B48, HC-M-MHR... hinged retaining frame required |
| Rated voltage (III/3) | 400 V |
| Rated current | 16 A |
| Rated surge voltage | 6 kV |
| Connection profile | 5 |

Ambient conditions

| | |
|---------------------------------|-------------------|
| Ambient temperature (operation) | -40 °C ... 125 °C |
|---------------------------------|-------------------|

Mechanical characteristics

| | |
|---|---|
| Conductor cross section | 0.14 mm ² ... 2.5 mm ² (with ferrule) |
| Connection cross section AWG | 26 ... 14 (with ferrule) |
| Stripping length of the individual wire | 8 mm ±1 mm |

Contact insert module - HC-M-05-PT-F - 1417373

Technical data

Mechanical characteristics

| | |
|-----------------------------|-------|
| Insertion/withdrawal cycles | ≥ 500 |
| Minimum housing height | 52 mm |

General

| | |
|--|---|
| Series | HC-M-05 |
| Color | light gray |
| Number of module slots | 1 |
| Connection method | Push-in connection |
| Flammability rating according to UL 94 | V0 |
| Degree of pollution | 3 |
| Overvoltage category | III |
| Assembly instructions | Housing height ≥ 52 mm. Plug-in connections may only be operated only when there is no load/voltage. |

Material data

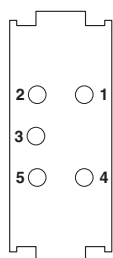
| | |
|--------------------------|--------------|
| Contact material | Copper alloy |
| Contact surface material | Ag |
| Contact carrier material | PC |

Standards and Regulations

| | |
|--|----|
| Flammability rating according to UL 94 | V0 |
|--|----|

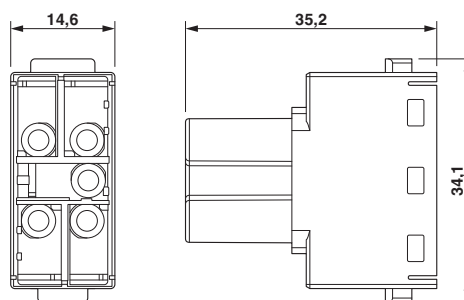
Drawings

Schematic diagram



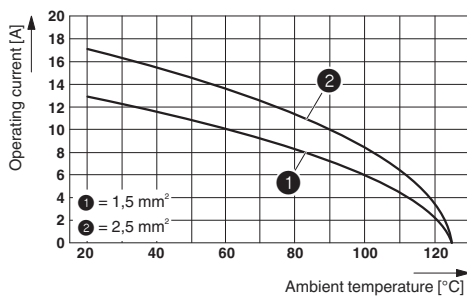
Connector pin assignment, connection side

Dimensional drawing



Contact insert module - HC-M-05-PT-F - 1417373

Diagram



Derating diagram (6 modules in HC-B 24 housing)

Approvals

Approvals

Approvals

EAC / CSA / UL Recognized

Ex Approvals

Approval details

| | | | |
|-----|--|---|---------------------|
| EAC | | http://www.eurasiancert.com | 7500651.22.01.00246 |
|-----|--|---|---------------------|

| | | | |
|--------------------|--|---|-------|
| CSA | | http://www.csagroup.org/services/testing-and-certification/certified-product-listing/ | 13631 |
| mm²/AWG/kcmil | | 14 | |
| Nominal current IN | | 15 A | |
| Nominal voltage UN | | 600 V | |

| | | | |
|--------------------|--|---|---------|
| UL Recognized | | http://database.ul.com/cgi-bin/XYV/template/LISEXT/1FRAME/index.htm | E118976 |
| mm²/AWG/kcmil | | 14 | |
| Nominal current IN | | 19 A | |
| Nominal voltage UN | | 600 V | |

Phoenix Contact 2017 © - all rights reserved
<http://www.phoenixcontact.com>

PHOENIX CONTACT GmbH & Co. KG
Flachmarktstr. 8
32825 Blomberg
Germany
Tel. +49 5235 300
Fax +49 5235 3 41200
<http://www.phoenixcontact.com>