



Chipsmall Limited consists of a professional team with an average of over 10 year of expertise in the distribution of electronic components. Based in Hongkong, we have already established firm and mutual-benefit business relationships with customers from,Europe,America and south Asia,supplying obsolete and hard-to-find components to meet their specific needs.

With the principle of "Quality Parts,Customers Priority,Honest Operation,and Considerate Service",our business mainly focus on the distribution of electronic components. Line cards we deal with include Microchip,ALPS,ROHM,Xilinx,Pulse,ON,Everlight and Freescale. Main products comprise IC,Modules,Potentiometer,IC Socket,Relay,Connector.Our parts cover such applications as commercial,industrial, and automotives areas.

We are looking forward to setting up business relationship with you and hope to provide you with the best service and solution. Let us make a better world for our industry!



Contact us

Tel: +86-755-8981 8866 Fax: +86-755-8427 6832

Email & Skype: info@chipsmall.com Web: www.chipsmall.com

Address: A1208, Overseas Decoration Building, #122 Zhenhua RD., Futian, Shenzhen, China



Patch cable - VS-RJ45R-RJ45R-94P-0,3 - 1418015

Please be informed that the data shown in this PDF Document is generated from our Online Catalog. Please find the complete data in the user's documentation. Our General Terms of Use for Downloads are valid (<http://download.phoenixcontact.com>)




Patch cable, CAT5e, 4-pair, shielded, line, assembled at both ends with angled RJ45/IP20 heads, length: 0.3 m



Ethernet

Key commercial data

Packing unit	1 PCE
Catalog page	Page 318 (PC-2011)
GTIN	 4 046356 534277
Custom tariff number	85444210
Country of origin	CHINA

Technical data

Mechanical characteristics

Number of positions	8
Type of cable	Round cable
Cable structure	4x2xAWG26/7; S-UTP
Smallest bending radius, fixed installation	50 mm
Smallest bending radius, movable installation	62 mm
Length of cable	0.3 m
Ambient temperature (operation)	-10 °C ... 50 °C (Flexibly installed)
Ambient temperature (operation)	-25 °C ... 60 °C (fixed routing)

Material data

Outer sheath, material	PUR
External sheath, color	water blue RAL 5021
Degree of protection	IP20

Patch cable - VS-RJ45R-RJ45R-94P-0,3 - 1418015

Technical data

Electrical characteristics

Number of positions	8
Transmission characteristics (category)	CAT5 (IEC 11801:2002), CAT5e (TIA 568B:2001)

Line characteristics

Cable type	Ethernet, flexible, CAT5e
Cable structure	4x2xAWG26/7; SF/UTP
Conductor cross section	4x 2x 0.14 mm ²
AWG signal line	26
Conductor structure signal line	7x 0.16 mm
Core diameter including insulation	0.98 mm
Thickness, insulation	0.25 mm (signal line)
Thickness, insulation	1 mm (Outer cable sheath)
External cable diameter	6.4 mm ± 0.2 mm
Wire colors	white/blue-blue, white/orange-orange, white/green-green, white/brown-brown
External sheath, color	water blue RAL 5021
Transmission medium	Copper
Insulation resistance	≥ 500 MΩ*km (at 20 °C)
Conductor resistance	≤ 290 Ω/km (at 20 °C)
Transmission characteristics (category)	CAT5 (IEC 11801:2002), CAT5e (TIA 568B:2001)
Working capacitance	48 nF (At 1 kHz)
Wave impedance	100 Ω ± 5 Ω (At 100 MHz)
Signal runtime	5.3 ns/m
Coupling resistance	≤ 100.00 mΩ/m (At 10 MHz)
Nominal voltage, conductor	≤ 100 V (at 20 °C)
Test voltage Core/Core	700 V (50 Hz, 1 min.)
Test voltage Core/Shield	700 V (50 Hz, 1 min.)
Twisted pairs	2 cores to the pair
Overall twist	4 pairs
Shielding	Aluminum-coated foil, tinned copper braided shield
Optical shield covering	70 %
Outer sheath, material	PUR
Material conductor insulation	PE
Conductor material	Bare Cu litz wires
Cable weight	47 kg/km
Smallest bending radius, fixed installation	25.6 mm
Smallest bending radius, movable installation	51.2 mm
Tensile strength short-term/long-term	≤ 100 N

Patch cable - VS-RJ45R-RJ45R-94P-0,3 - 1418015

Technical data

Line characteristics

Flame resistance	IEC 60332-1-2
Halogen-free	According to IEC 60754-1
Resistance to oil	in accordance with DIN EN 60811-2-1
Ambient temperature (operation)	-40 °C ... 80 °C (cable, fixed installation)
Ambient temperature (operation)	-20 °C ... 80 °C (cable, flexible installation)

Classifications

ETIM

ETIM 2.0	EC001262
ETIM 3.0	EC001262
ETIM 4.0	EC000830
ETIM 5.0	EC000830

UNSPSC

UNSPSC 11	26121609
UNSPSC 12.01	26121609
UNSPSC 13.2	26121609
UNSPSC 6.01	26121609
UNSPSC 7.0901	26121609

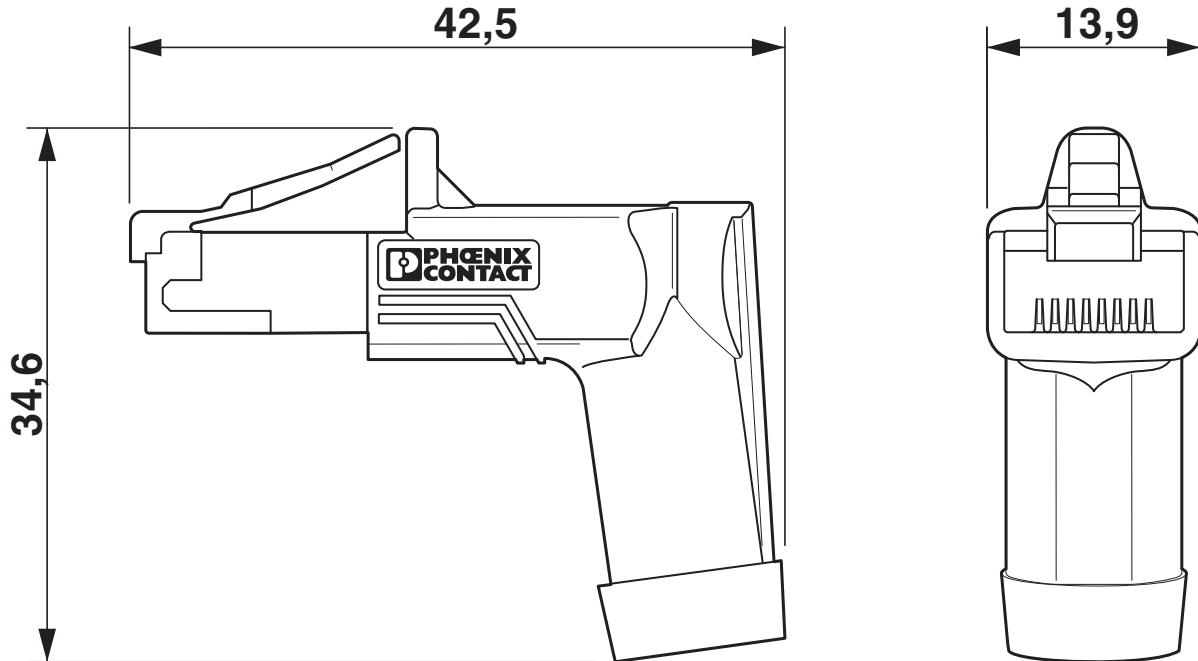
eCl@ss

eCl@ss 4.0	27250591
eCl@ss 4.1	27240409
eCl@ss 5.0	27259207
eCl@ss 5.1	27061801
eCl@ss 6.0	19170107
eCl@ss 7.0	19170112

Drawings

Patch cable - VS-RJ45R-RJ45R-94P-0,3 - 1418015

Dimensioned drawing



Patch cable - VS-RJ45R-RJ45R-94P-0,3 - 1418015

Circuit diagram

