



Chipsmall Limited consists of a professional team with an average of over 10 year of expertise in the distribution of electronic components. Based in Hongkong, we have already established firm and mutual-benefit business relationships with customers from,Europe,America and south Asia,supplying obsolete and hard-to-find components to meet their specific needs.

With the principle of "Quality Parts,Customers Priority,Honest Operation,and Considerate Service",our business mainly focus on the distribution of electronic components. Line cards we deal with include Microchip,ALPS,ROHM,Xilinx,Pulse,ON,Everlight and Freescale. Main products comprise IC,Modules,Potentiometer,IC Socket,Relay,Connector.Our parts cover such applications as commercial,industrial, and automotives areas.

We are looking forward to setting up business relationship with you and hope to provide you with the best service and solution. Let us make a better world for our industry!



Contact us

Tel: +86-755-8981 8866 Fax: +86-755-8427 6832

Email & Skype: info@chipsmall.com Web: www.chipsmall.com

Address: A1208, Overseas Decoration Building, #122 Zhenhua RD., Futian, Shenzhen, China




Patch cable - VS-RJ45-RJ45-94P-2,0 - 1418109

Please be informed that the data shown in this PDF Document is generated from our Online Catalog. Please find the complete data in the user's documentation. Our General Terms of Use for Downloads are valid (<http://download.phoenixcontact.com>)



Patch cable, CAT5e, 4-pair, shielded, line, assembled at both ends with straight RJ45/IP20 heads, length: 2 m

Key commercial data

Packing unit	0
Minimum order quantity	1
Catalog page	Page 318 (PC-2011)
GTIN	 4 046356 534345
Custom tariff number	85444210
Country of origin	CHINA

Technical data

Mechanical characteristics

Number of positions	8
Shielded	Yes
Type of cable	Round cable
Cable structure	4x2xAWG26/7; S-UTP
Smallest bending radius, fixed installation	min. 32 mm
Smallest bending radius, movable installation	min. 32 mm
Length of cable	2 m
Ambient temperature (operation)	-10 °C ... 50 °C (Flexibly installed)
Ambient temperature (operation)	-25 °C ... 60 °C (fixed routing)

Material data

Outer sheath, material	PUR
External sheath, color	water blue RAL 5021
Degree of protection	IP20

Electrical characteristics

Number of positions	8
Transmission characteristics (category)	CAT5 (IEC 11801:2002), CAT5e (TIA 568B:2001)

Patch cable - VS-RJ45-RJ45-94P-2,0 - 1418109

Classifications

eclass

eCl@ss 4.0	27250591
eCl@ss 4.1	27240409
eCl@ss 5.0	27259207
eCl@ss 5.1	27061801
eCl@ss 6.0	19170107
eCl@ss 7.0	19170112

etim

ETIM 2.0	EC001262
ETIM 3.0	EC001262
ETIM 4.0	EC000830

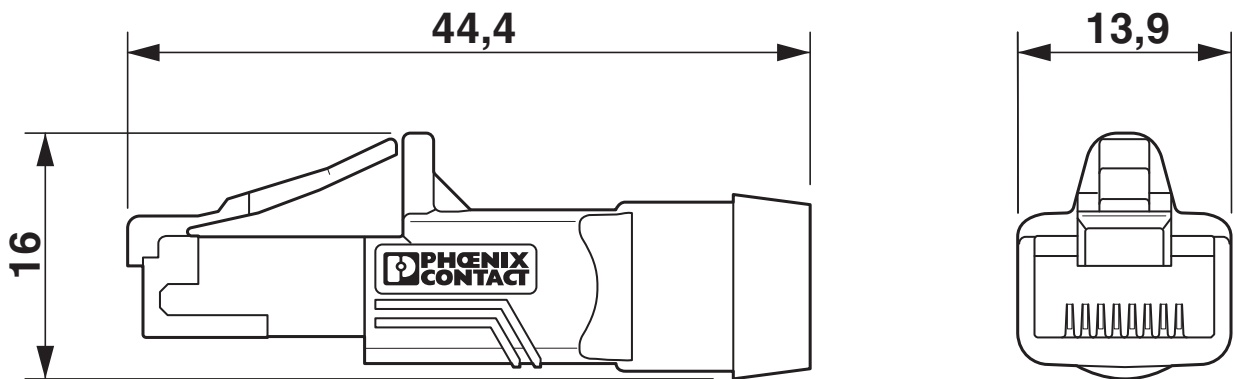
unspsc

UNSPSC 6.01	26121609
UNSPSC 7.0901	26121609
UNSPSC 11	26121609
UNSPSC 12.01	26121609
UNSPSC 13.2	26121609

Drawings

Patch cable - VS-RJ45-RJ45-94P-2,0 - 1418109

Dimensioned drawing



Patch cable - VS-RJ45-RJ45-94P-2,0 - 1418109

Circuit diagram

