



Chipsmall Limited consists of a professional team with an average of over 10 year of expertise in the distribution of electronic components. Based in Hongkong, we have already established firm and mutual-benefit business relationships with customers from,Europe,America and south Asia,supplying obsolete and hard-to-find components to meet their specific needs.

With the principle of “Quality Parts,Customers Priority,Honest Operation,and Considerate Service”,our business mainly focus on the distribution of electronic components. Line cards we deal with include Microchip,ALPS,ROHM,Xilinx,Pulse,ON,Everlight and Freescale. Main products comprise IC,Modules,Potentiometer,IC Socket,Relay,Connector.Our parts cover such applications as commercial,industrial, and automotives areas.

We are looking forward to setting up business relationship with you and hope to provide you with the best service and solution. Let us make a better world for our industry!



Contact us

Tel: +86-755-8981 8866 Fax: +86-755-8427 6832

Email & Skype: info@chipsmall.com Web: www.chipsmall.com

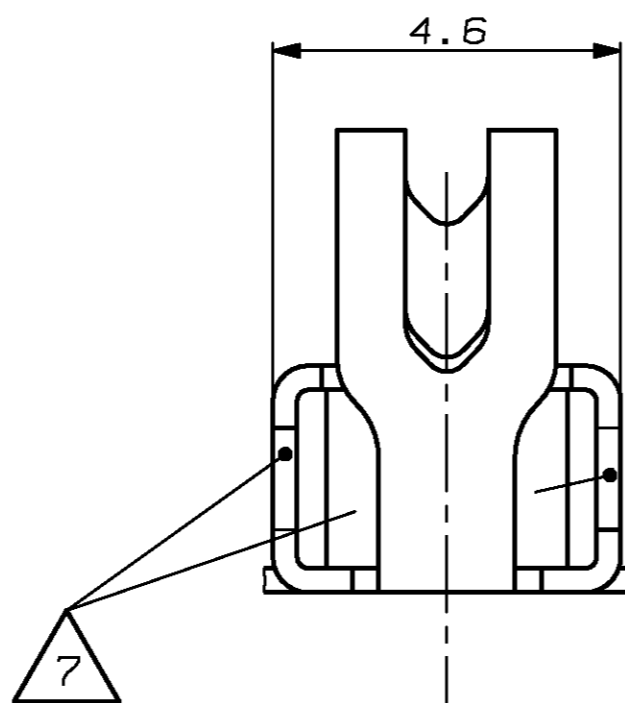
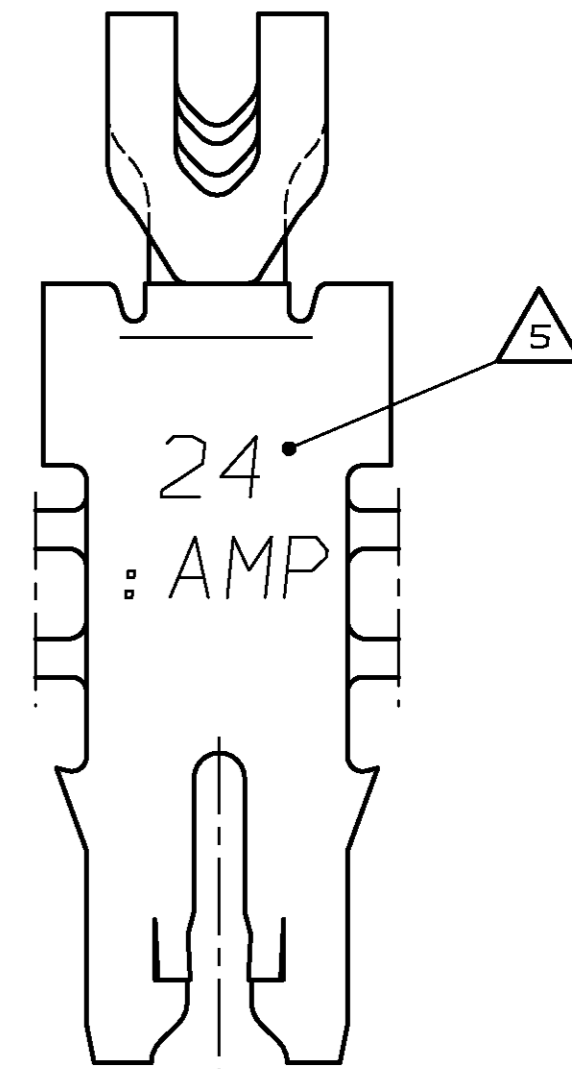
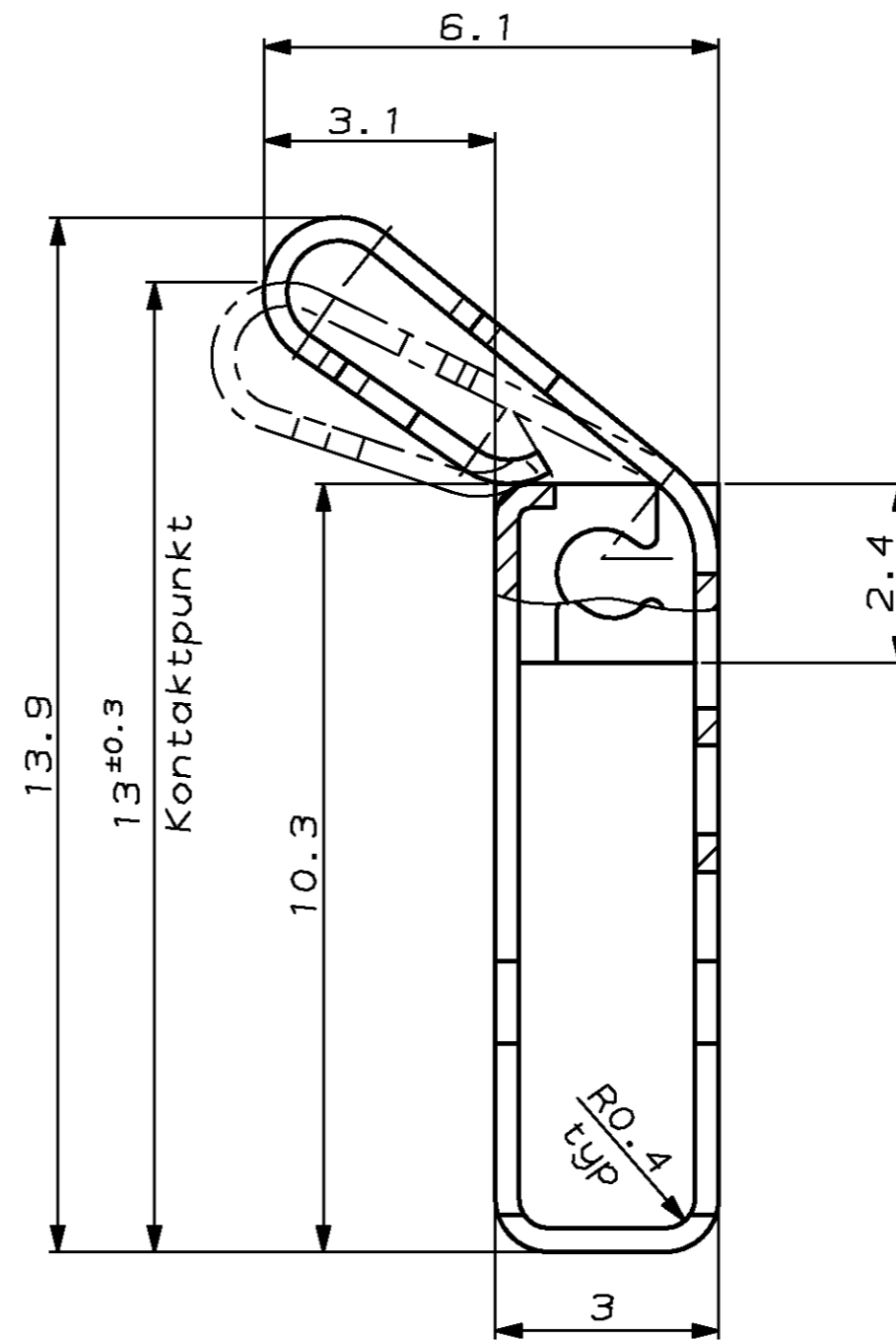
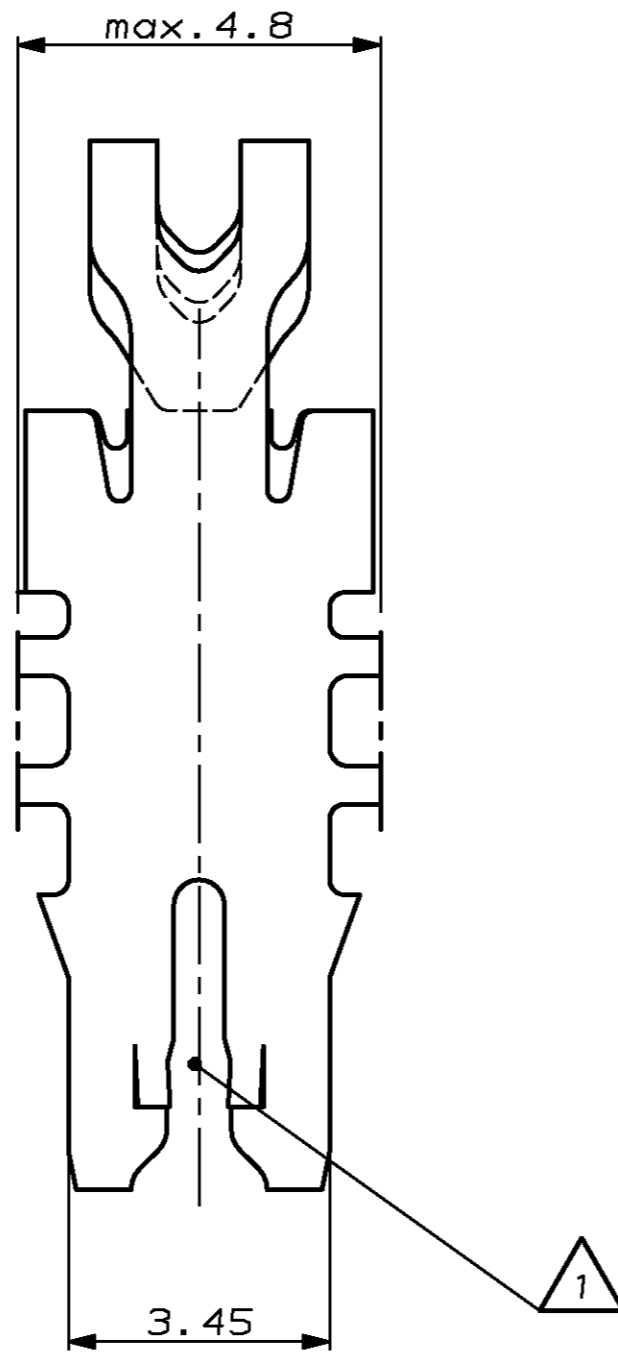
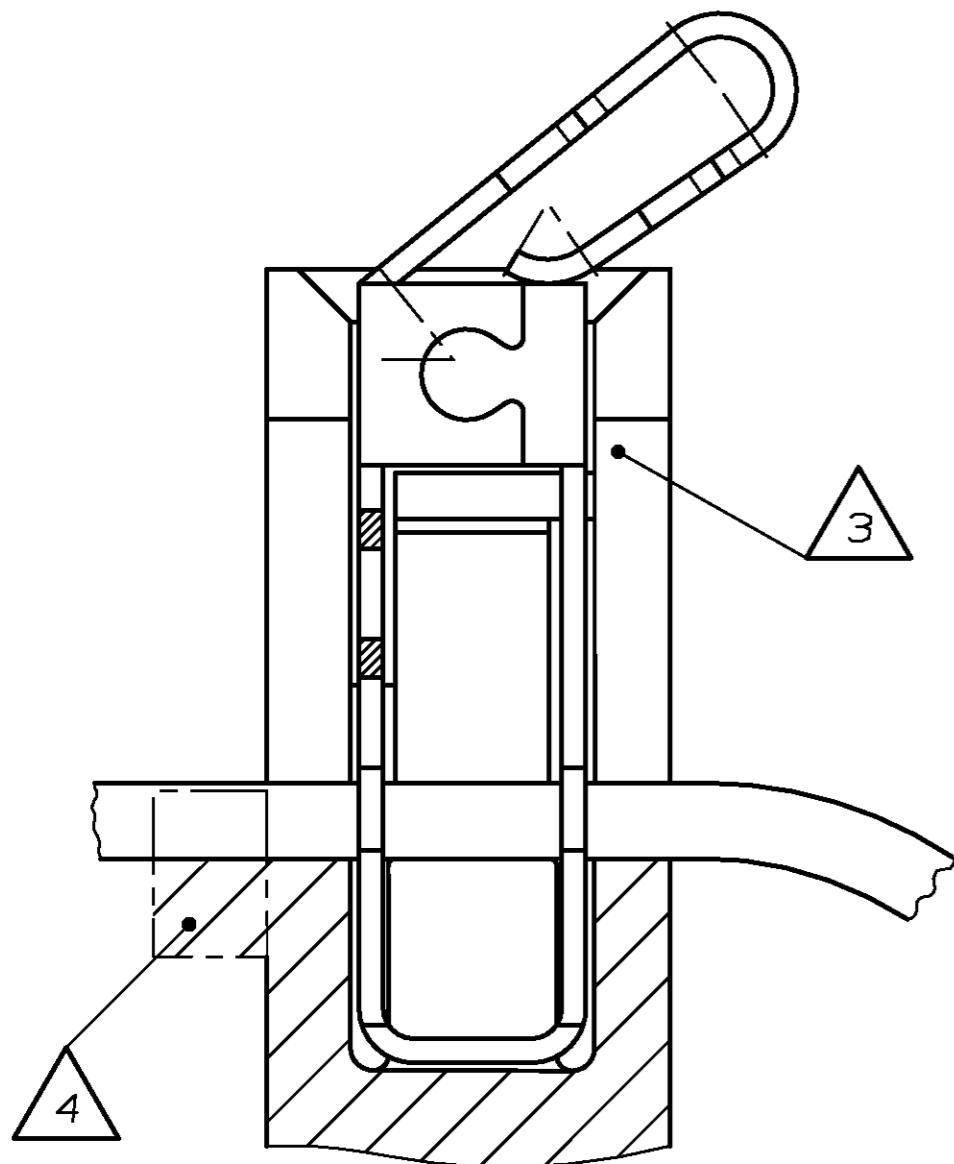
Address: A1208, Overseas Decoration Building, #122 Zhenhua RD., Futian, Shenzhen, China



THIS DRAWING IS UNPUBLISHED. VERTRAULICHE UNVERÖFFENTLICHTE ZEICHNUNG. RELEASED FOR PUBLICATION FREI FÜR VERÖFFENTLICHUNG. .19-. MATED WITH: PASSEND ZU: -
 © COPYRIGHT 2002 BY AMP INCORPORATED. ALLE RECHTE VORBEHALTEN.

LOC		DIST		REVISIONS		
P	LTR	ÄNDERUNGEN	DESCRIPTION	DATE	DWN	APVD
AI	-					
PROJECT NR.: EGGJA02536		A	EG00 3604 02	11NOV02	Ge.	PL.
		A1	Text hinzugefügt	24FEB03	Ba.	PL.

Kontakt im eingebauten Zustand



- 7 max. Auflagefläche für Stromübertragung zum Verbacken 2.4mm²
- 6. Material 0.32mm dick
- 5 Kennziffer für Drahtgrößenbereich (24)
- 4 - - - Bereich wird beim Kontaktieren abgetrennt
- 3 Kammer nach Zchnng. 96-52884-70 Rev. 1
- 2. Einsatz Temperatur incl. Stromerwärmung 120°C Kurzzeitig (max. 10 min.) 140°C
- 1 Kontakt geeignet für: Cu-Lackdraht, Einzeldraht ø0.85-1.12mm SLOT ACCEPTS COPPER MAGNET WIRE 0.85-1.12mm DIA

CUSTOMER PART NO	AMP PART NO	REV.	PCS.	MATERIAL	SURFACE COLOR	DESCRIPTION	ITEM NO
-	-	-	-	-	-	-	-
-	-	-	-	-	-	-	-
-	-	-	-	-	-	-	-
-	1418686-1	A	-	CuNiSi	VORVERZINNT	MAG-MATE TERMINAL	-

<small>THIS DRAWING IS A CONTROLLED DOCUMENT FOR AMP INCORPORATED. IT IS SUBJECT TO CHANGE AND THE CONTROLLING ENGINEERING ORGANIZATION SHOULD BE CONTACTED FOR THE LATEST REVISION. DIESES ZEICHNUNGSDOKUMENT WIRD DURCH AMP INCORPORATED KONTROLLIERT. ÄNDERUNGEN, DIE DEN TECHNISCHEN FORTSCHRITT DIESER, SIND VORBEHALTEN. DEN JEDWELCH LETZTERSTEN STAND ANZUSEHEN SIE AUF ANFRAGE.</small>		DWN Gerlach 08.11.02	AMP AMP Deutschland GmbH D - 63225 Langen	
DIMENSIONS: mm OTHERWISE SPECIFIED: ALLGEMEINER TOLERANZEN n. ISO 2768 - mH - E n. DIN 16801 - 140 0 PLC ±0.2 1 PLC ± 2 PLC ± 3 PLC ± ANSLER/WINKEL ± FINISH/OBERFLAECHE/FARBE		CHK Plöber 08.11.02	MAG-MATE TERMINAL MIT AUßENLIEGENDER KONTAKTFEDER	
MATERIAL: -		APVD: -	SIZE: A2	RESTRICTED TO NUR FUER: -
CUSTOMER DRAWING		APPLICATION SPEC VERARBEITUNGSSPEZ. WEIGHT GEWICHT: -	CAGE CODE: 00779 DRAWING NO. ZEICHNUNGS-NR.: 1418686	BLATT 1 VON 1 REV A1