



Chipsmall Limited consists of a professional team with an average of over 10 year of expertise in the distribution of electronic components. Based in Hongkong, we have already established firm and mutual-benefit business relationships with customers from,Europe,America and south Asia,supplying obsolete and hard-to-find components to meet their specific needs.

With the principle of “Quality Parts,Customers Priority,Honest Operation,and Considerate Service”,our business mainly focus on the distribution of electronic components. Line cards we deal with include Microchip,ALPS,ROHM,Xilinx,Pulse,ON,Everlight and Freescale. Main products comprise IC,Modules,Potentiometer,IC Socket,Relay,Connector.Our parts cover such applications as commercial,industrial, and automotives areas.

We are looking forward to setting up business relationship with you and hope to provide you with the best service and solution. Let us make a better world for our industry!



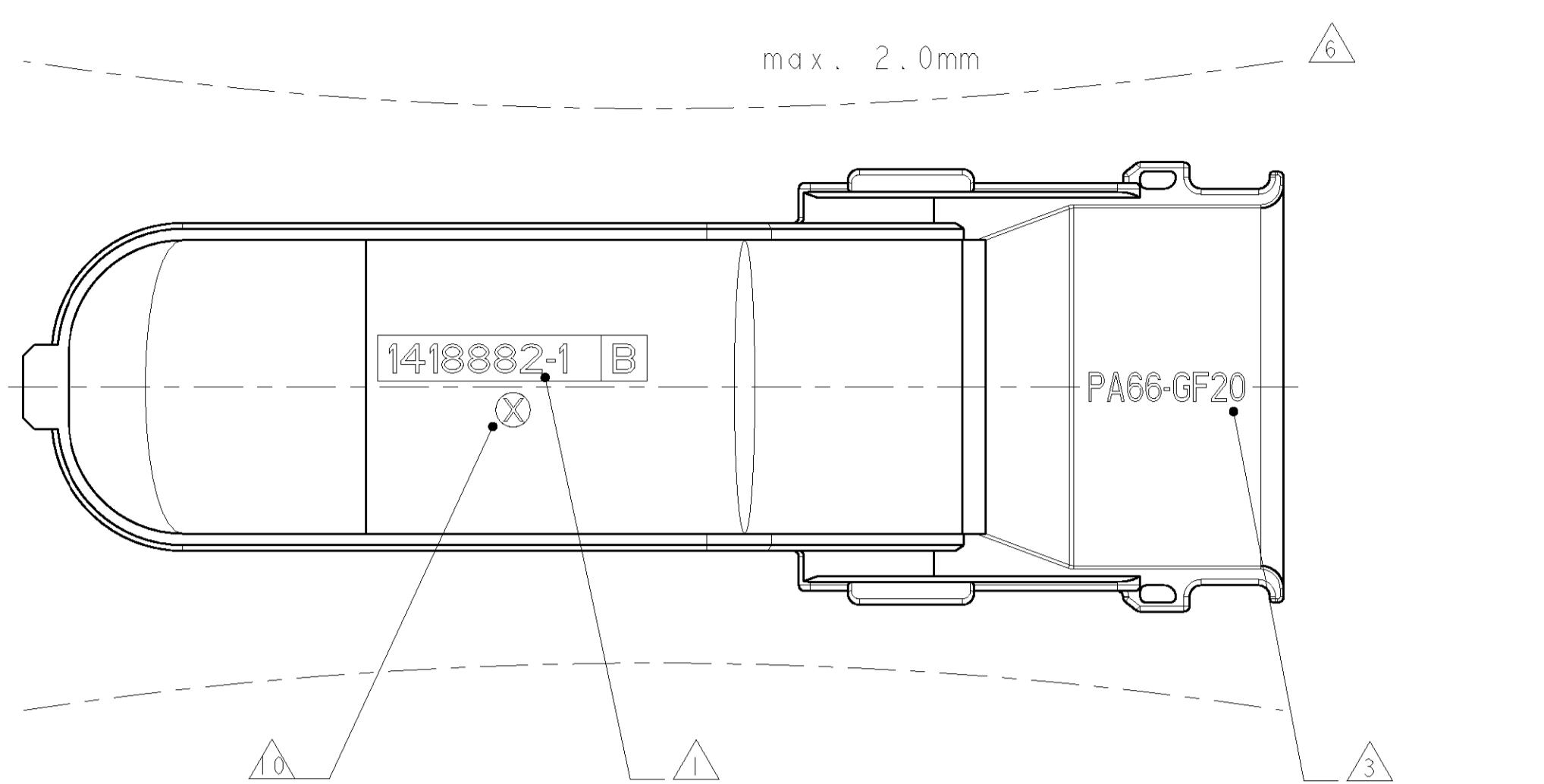
Contact us

Tel: +86-755-8981 8866 Fax: +86-755-8427 6832

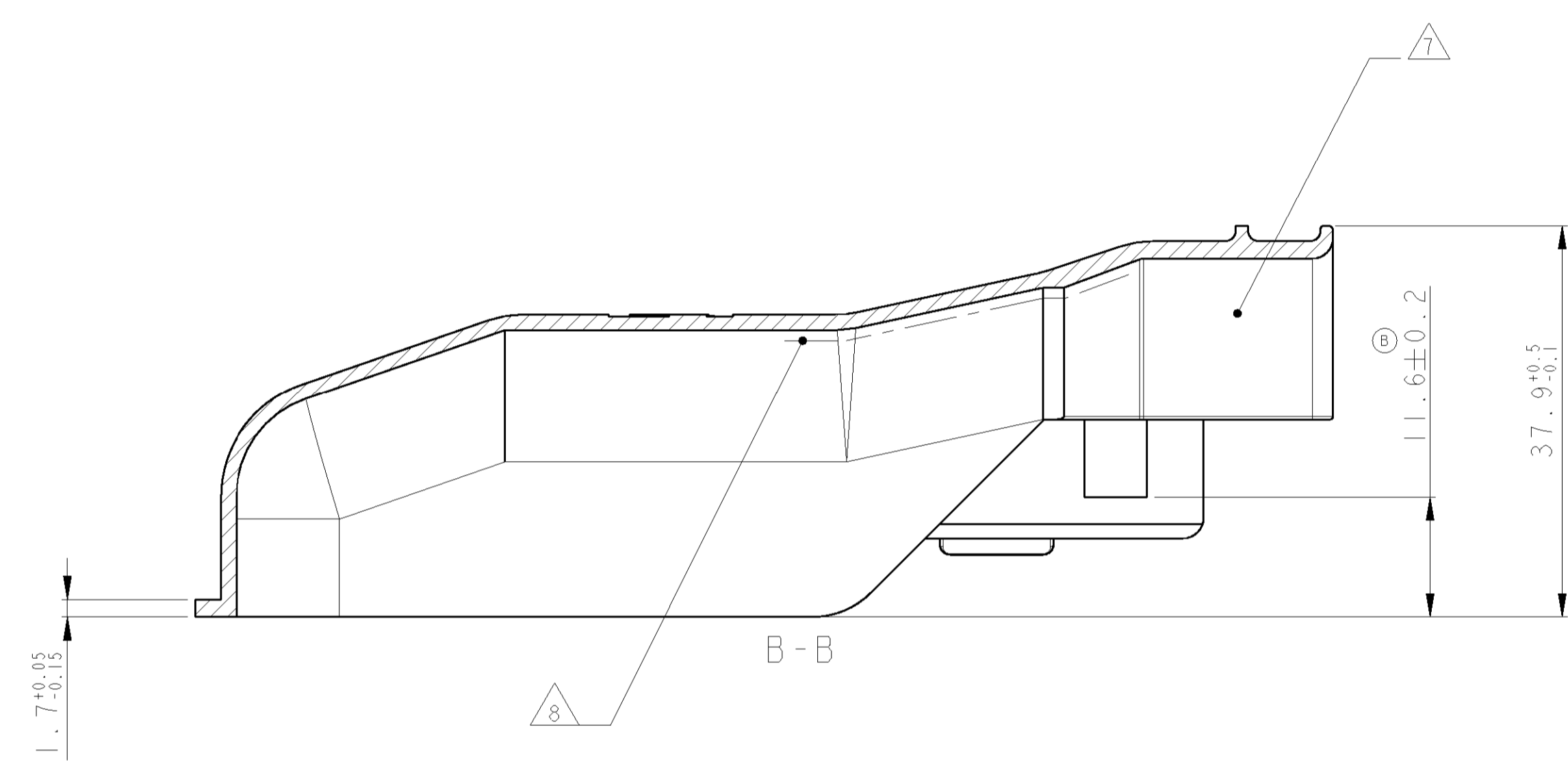
Email & Skype: info@chipsmall.com Web: www.chipsmall.com

Address: A1208, Overseas Decoration Building, #122 Zhenhua RD., Futian, Shenzhen, China

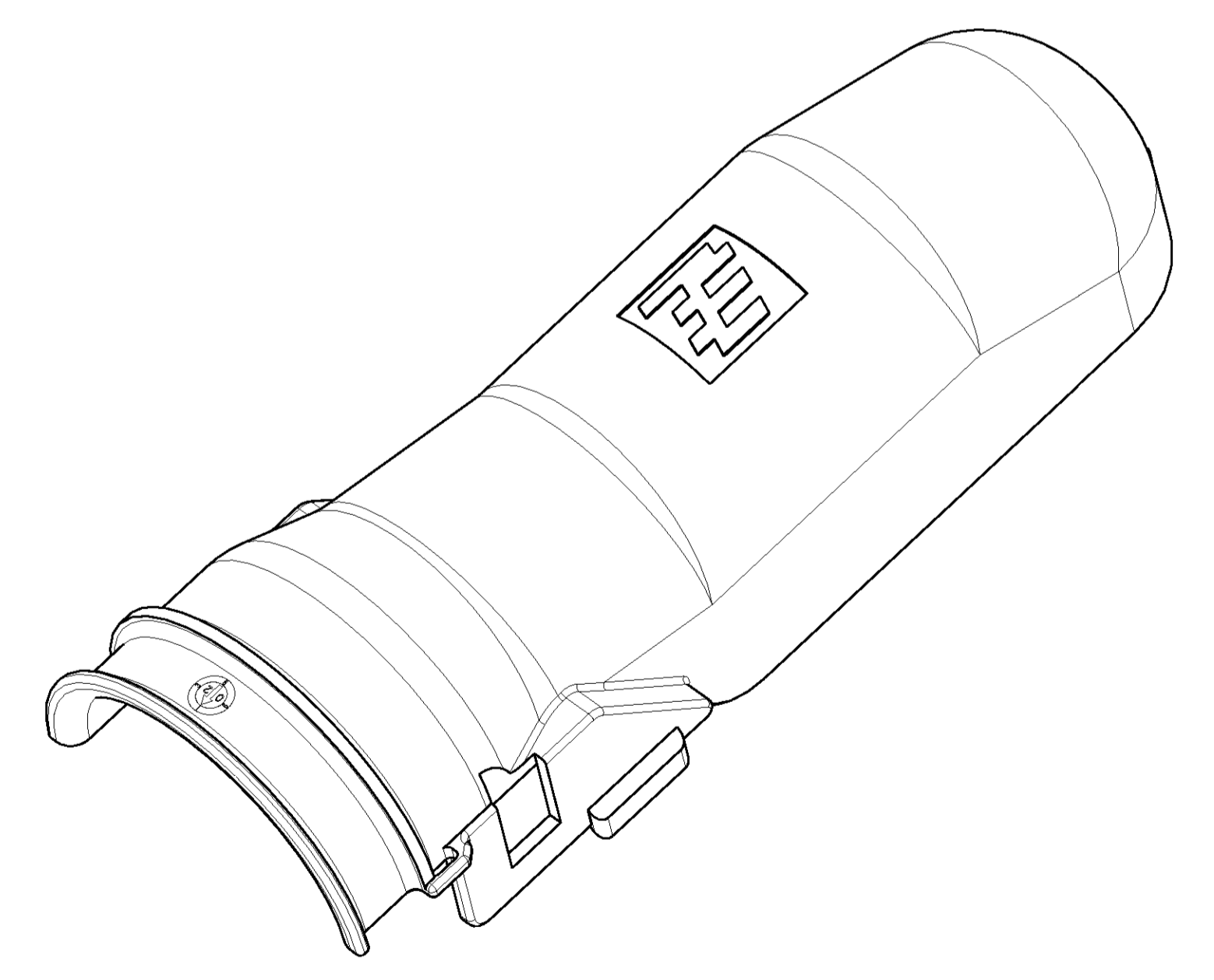
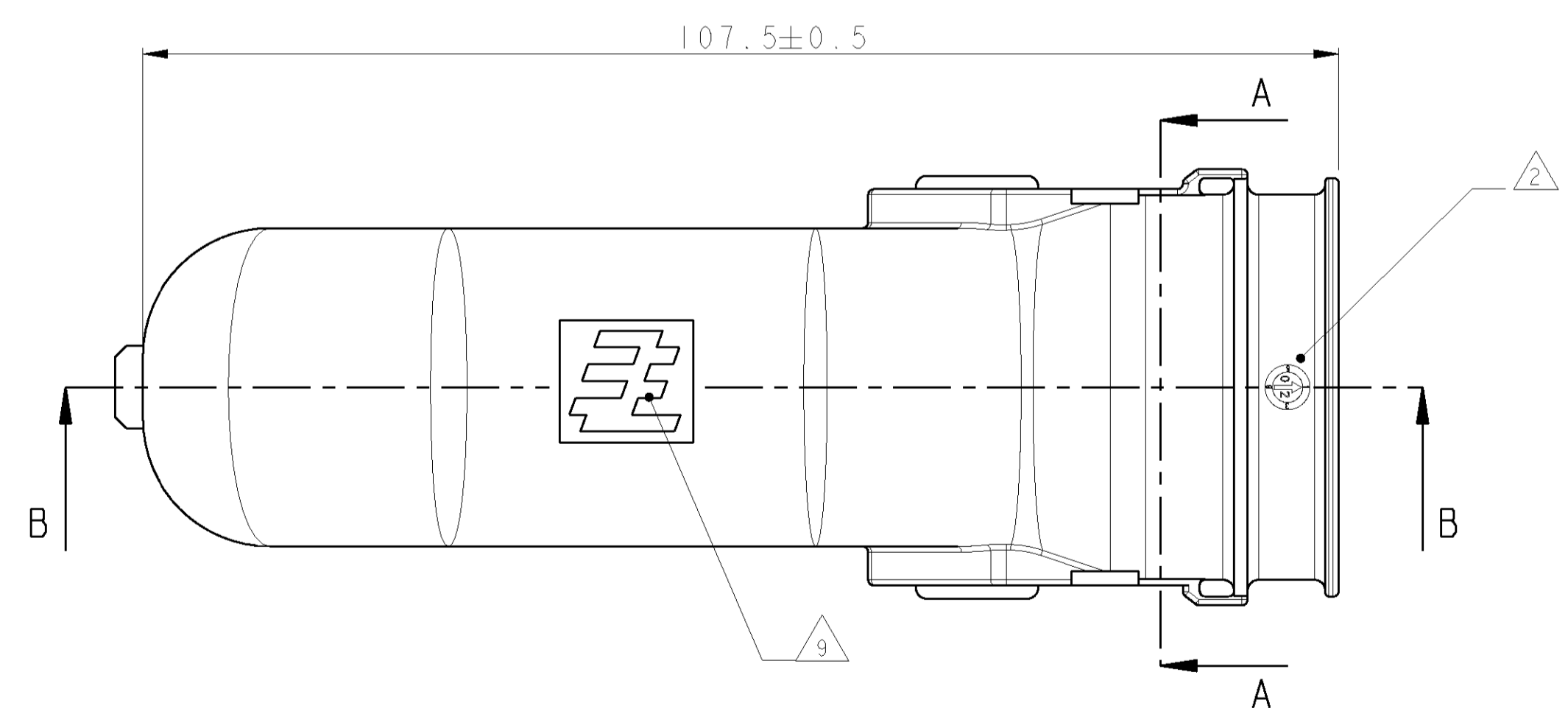
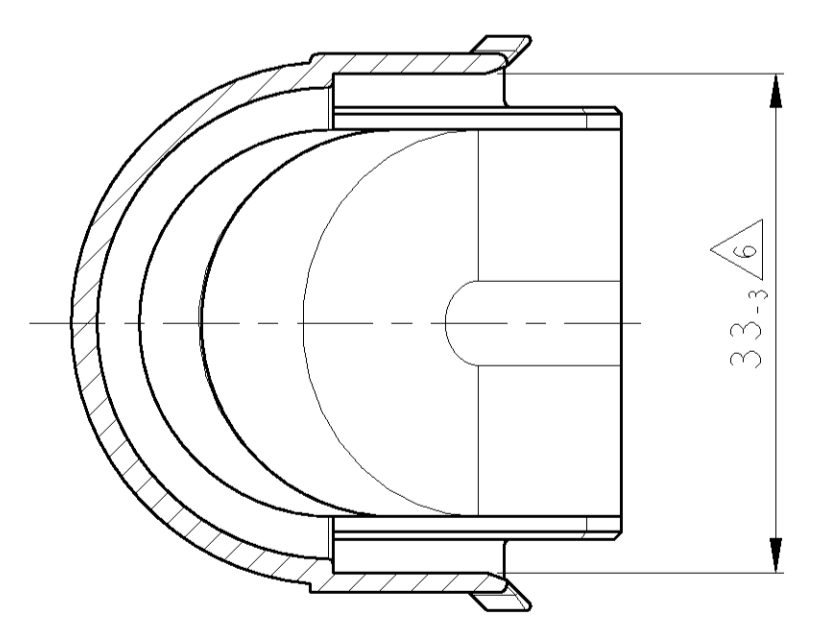




- NOTES
 Bemerkungen
- 1 TE CONNECTIVITY NUMBER
TE CONNECTIVITY Nummer
 - 2 PRODUCTION DATE
Produktionsdatum
 - 3 MATERIAL MARKING ACC. TO VDA 260
Werkstoffkennzeichnung nach VDA 260
 - 4 BULK PACKAGING IN CORRUGATED BOX
Schüttgut im Versandkarton
 - 5 FITS TO TE CONNECTIVITY PN's
1418883, 1718321, 1718323, 1718324
Passend zu Tyco Electronics PN's:
1418883, 1718321, 1718323, 1718324
 - 6 WARPAGE TO . . . PERMITTED
Verzug zulässig bis . . .
 - 7 DESIGNED FOR CORRUGATED TUBE NW26
Ausgelegt für Wellrohr NW26
 - 8 NO SHARP EDGES PERMITTED
Keine scharfen Kanten zulässig
 - 9 TYCO ELECTRONICS LOGO
Tyco Electronics Logo
 - 10 CAVITY MARKING
Nestkennzeichnung



SECTION A-A
 Schnitt



1418882-1	PA66-GF20	BLACK	COVER	B	I
TE CONNECTIVITY PART-NO. TE CONNECTIVITY Teile-Nr.	MAT.	COLOUR Farbe	DESCRIPTION Beschreibung	REV.	ITEM
DIMENSIONS: MASSEINHEITEN: mm		TOLERANCES UNLESS OTHERWISE SPECIFIED: ACC. TO ISO 8015 ACC. TO DIN 16901-140		DWG H. Hintichs 18FE03	
MATERIAL SEE TABLE siehe Tabelle		FINISH/VERLEGE/FARBE SEE TABLE siehe Tabelle		CHK R. Kopp 18FE03	
APVD		PRODUCT SPEC PRODUKTSPZ. 108-18946		NAME COVER FOR 39/62 POS. CONNECTORS Abdeckkappe fuer 39/62pol. Steckverbinder	
CUSTOMER DRAWING		APPLICATION SPEC. VERARBEITUNGSSPEZ. 114-18660		SIZE A1	
SCALE MASSSTAB		WEIGHT GEWICHT 15g		DRAWING NO. ZEICHNUNGS-NR. 00779	
SHEET BLATT		OF VON		REV REV B2	

