



Chipsmall Limited consists of a professional team with an average of over 10 year of expertise in the distribution of electronic components. Based in Hongkong, we have already established firm and mutual-benefit business relationships with customers from,Europe,America and south Asia,supplying obsolete and hard-to-find components to meet their specific needs.

With the principle of “Quality Parts,Customers Priority,Honest Operation,and Considerate Service”,our business mainly focus on the distribution of electronic components. Line cards we deal with include Microchip,ALPS,ROHM,Xilinx,Pulse,ON,Everlight and Freescale. Main products comprise IC,Modules,Potentiometer,IC Socket,Relay,Connector.Our parts cover such applications as commercial,industrial, and automotives areas.

We are looking forward to setting up business relationship with you and hope to provide you with the best service and solution. Let us make a better world for our industry!



Contact us

Tel: +86-755-8981 8866 Fax: +86-755-8427 6832

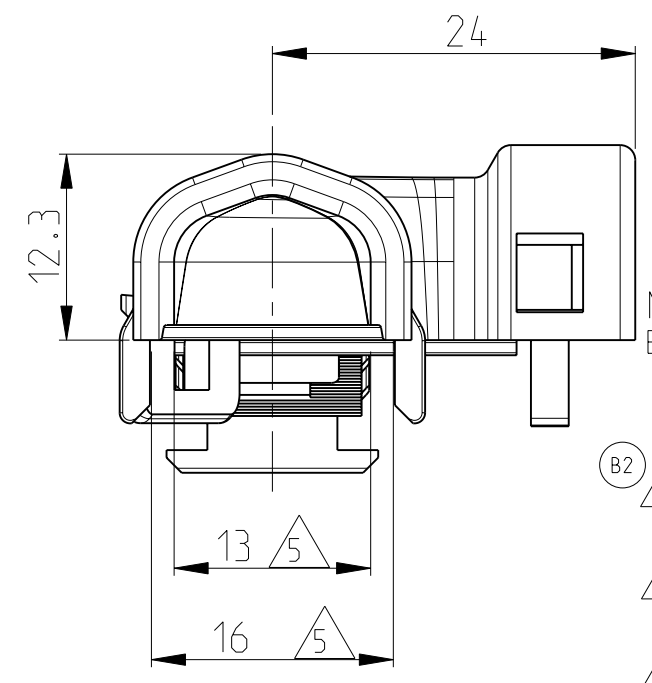
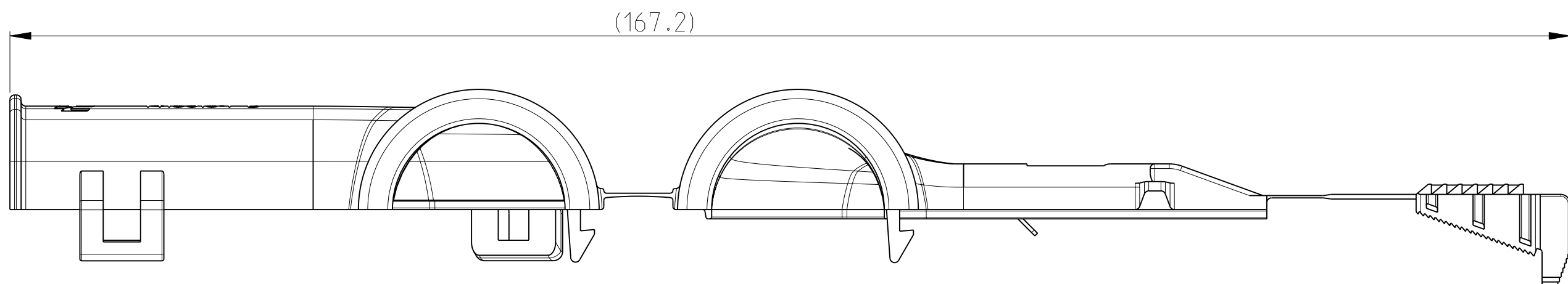
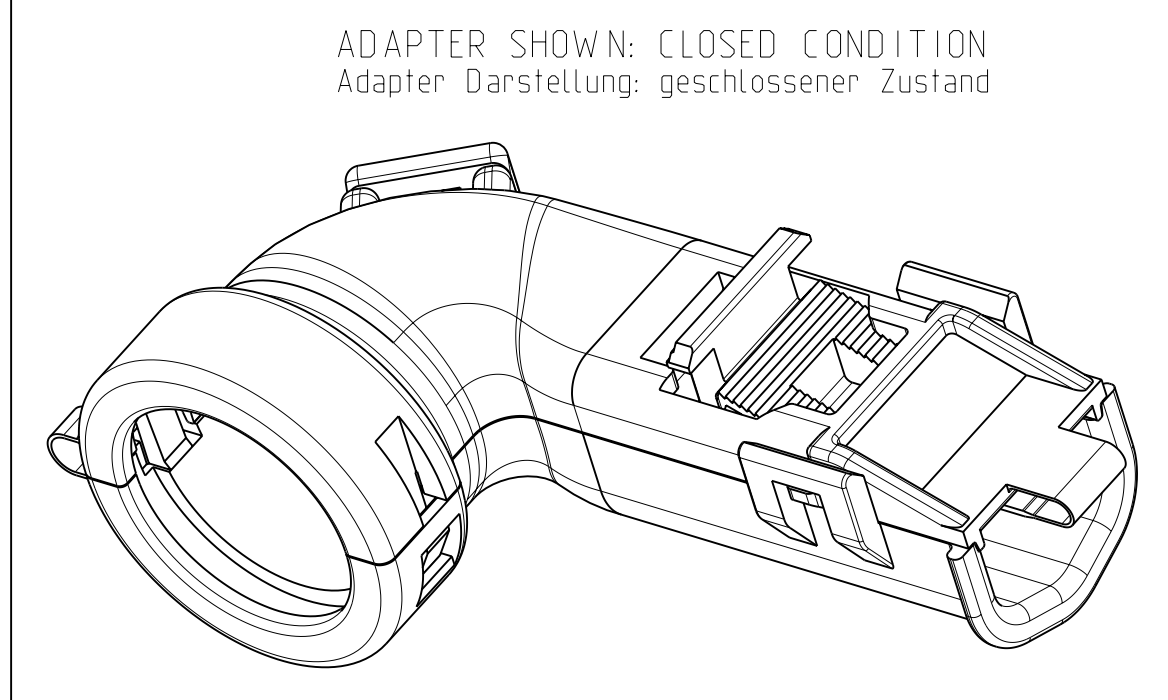
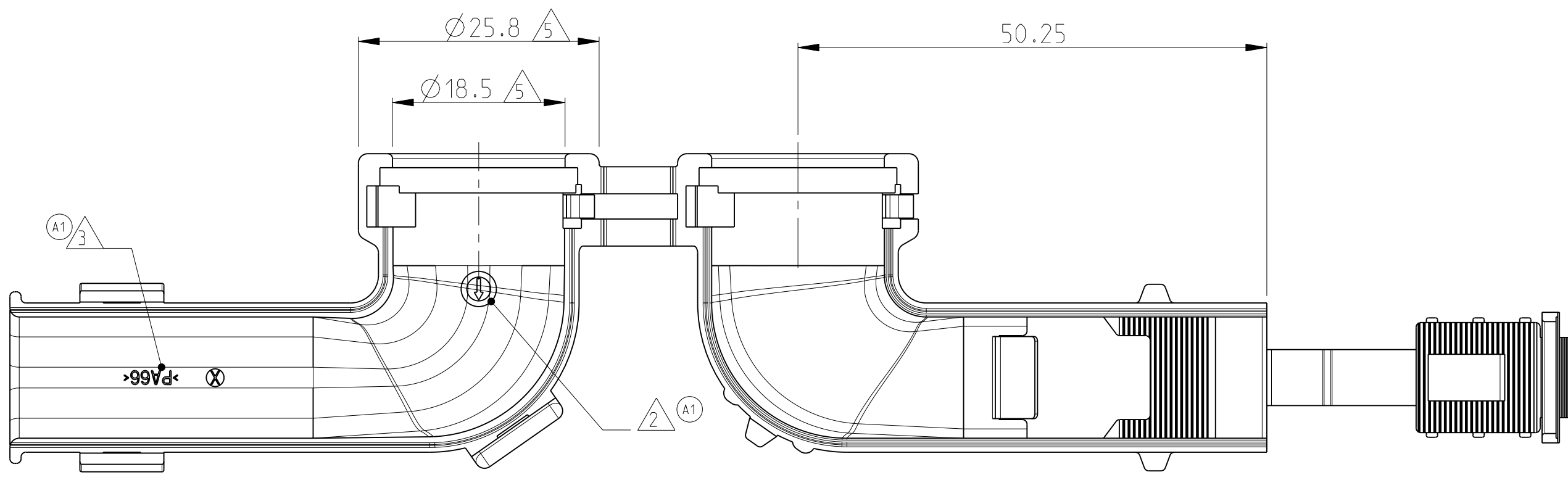
Email & Skype: info@chipsmall.com Web: www.chipsmall.com

Address: A1208, Overseas Decoration Building, #122 Zhenhua RD., Futian, Shenzhen, China

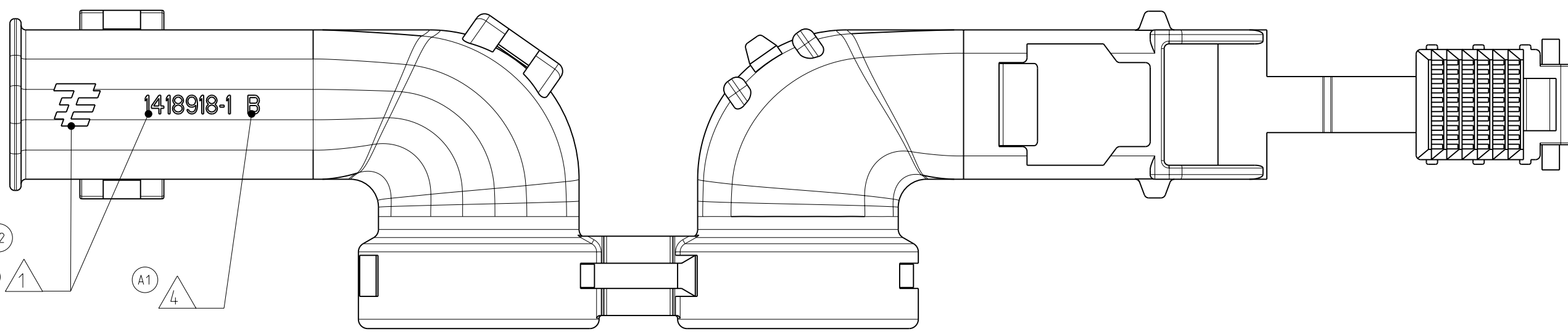


THIS DRAWING IS UNPUBLISHED
 VERTRAULICHE UNVERÖFFENTLICHTE ZEICHNUNG
 RELEASED FOR PUBLICATION
 FREI FUER VERÖFFENTLICHUNG
 OCT 2002
 MATED WITH:
 PASSEND ZU:
 © COPYRIGHT 2002 BY TYCO ELECTRONICS CORPORATION. ALL RIGHTS RESERVED.
 ALLE RECHTE VORBEHALTEN

LOC	DIST	REVISIONS ÄNDERUNGEN			
P	LTR	DESCRIPTION BESCHREIBUNG	DATE	DWN	APVD
A1	-	NEW DRAWING CREATED	12JUN2003	FE	CE
A1		POS. NOTE 1-4 CHANGED. PART REWORKED	17NOV2003	CG	CE
B		PART REWORKED	19MAY2004	FE	CE
B1		PART REWORKED	01JUL2004	CG	CE
B2		DRAWING ADAPTED TO NEW TE LOGO SEE PCN E-10-002780	05JAN2011	SJ	JG



- NOTES
Bemerkungen
- 1 Tyco Electronics (TE) LOGO ACC. TO SPEC TEC 202-36. TE NUMBER Tyco Electronics (TE) Logo nach spec TEC 202-36. TE Nummer
 - 2 PRODUCTION DATE Produktionsdatum
 - 3 MATERIAL MARKING ACC. TO VDA 260 Werkstoffkennzeichnung nach
 - 4 REVISION OF THE MOULD Werkzeugaenderungsindex
 - 5 WARPAGE UP TO -0.8mm PERMITTED Verzug bis -0.8mm zugelassen
 - 6 MULTI CORE CABLE INSERTION POSITION Multi Core Kabel Einlegeposition
 - 7 BULK PACKAGING IN CORRUGATED BOX Schuetzgut im Versandkarton
 - 8 DESIGNED FOR MULTI CORE CABLE: DIAMETER Ausgelegt fuer Multi Core Kabel: Durchmesser
 - 1x 5.5 (min.) - 8.4mm (max.)
 - 2x 5.5 (min.) - 6.5mm (max.)
 - 9 DESIGNED FOR DISMANTLE LENGTH 30mm Ausgelegt fuer Abmantelungslaenge 30mm



TE ORDER-NO. TE Bestell-Nr.	REV.	MAT.	COLOUR Farbe	DESCRIPTION Beschreibung	ITEM
1418918-1	B	PA66	BLACK schwarz	4/7POS. MULTI CORE CABLE ADAPTER 4/7pol. Multi Core Kabel Adapter	1

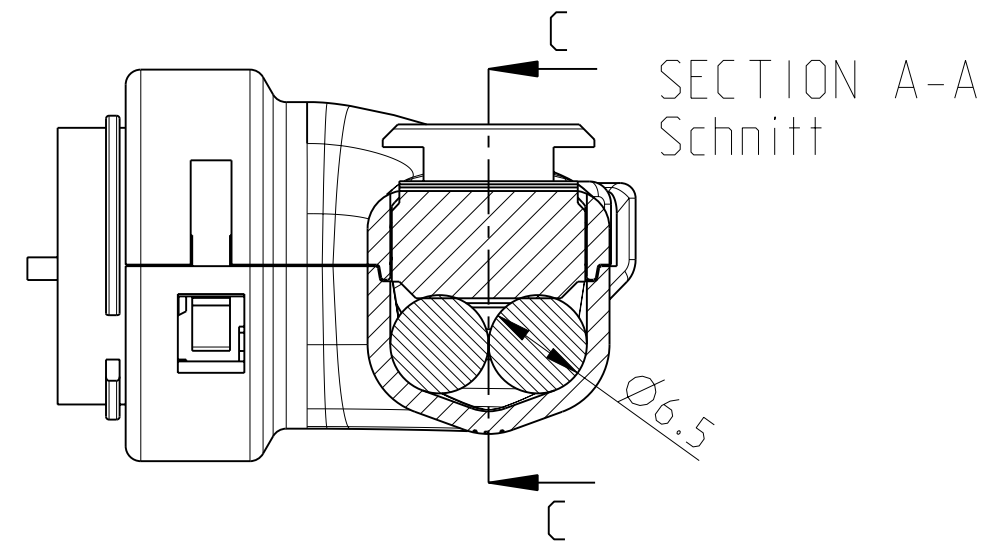
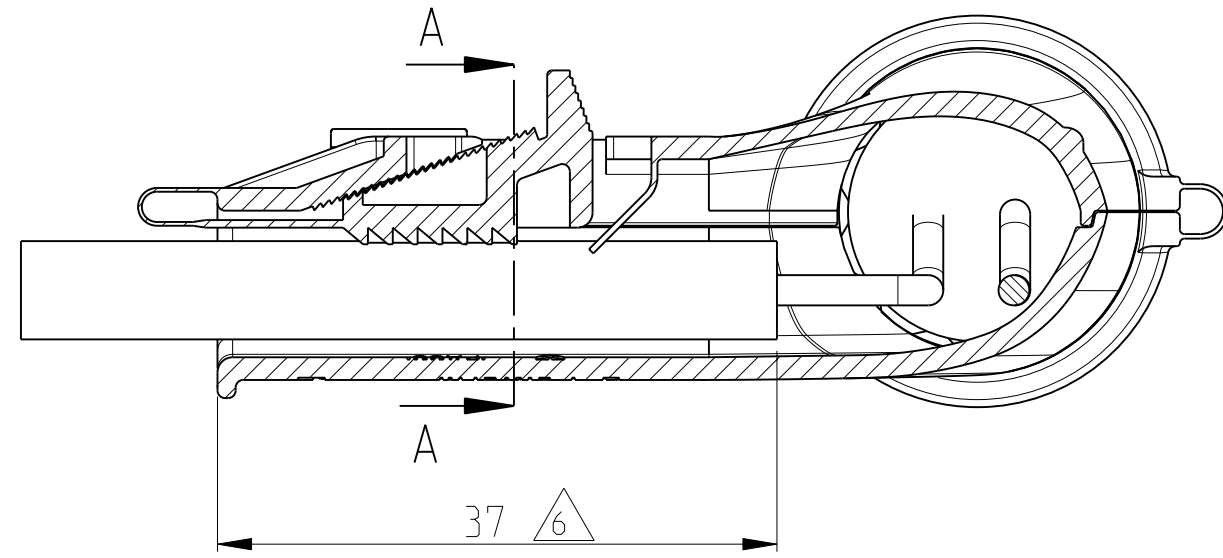
THIS DRAWING IS A CONTROLLED DOCUMENT FOR TYCO ELECTRONICS CORPORATION IT IS SUBJECT TO CHANGE AND THE CONTROLLING ENGINEERING ORGANIZATION SHOULD BE CONTACTED FOR THE LATEST REVISION. DIESES ZEICHNUNGSDOKUMENT WIRD DURCH AMP INCORPORATED KONTROLLIERT. ÄNDERUNGEN, DIE DEN TECHNISCHEN FORTSCHRITT DÜCKEN, SIND VORBEHALTEN. DEN JEWEILS LETZTGÜLTIGEN ÄNDERUNGSSTAND ERFAHREN SIE AUF ANFRAGE.		DWN E. Eltrop	10OCT2002
DIMENSIONS: MASSEINHEITEN: [mm]		CHK Ch. Eberwein	13JUN2003
TOLERANCES UNLESS OTHERWISE SPECIFIED: ALLGEMEINTOLERANZEN		APVD Ch. Eberwein	07MAY2010
1 P/C ±	ACC. TO DIN 8901-10	PRODUCT SPEC	108-18622-0
2 P/C ±	ACC. TO ISO 8015	APPLICATION SPEC	114-18255-0
3 P/C ±		VERARBEITUNGSSPEZ.	
4 P/C ±		WEIGHT GEWICHT	9g
ANGLE/WINKEL ±°		CUSTOMER DRAWING	
FINISH/OBERFLÄCHE/FARBE		SCALE MASSSTAB	5:1

Tyco Electronics		Tyco Electronics AMP GmbH 64625 Bensheim (Germany)	
NAME		MULTI CORE CABLE ADAPTER 90 DEGREE Multi Core Kabel Adapter 90 Grad	
SIZE	CAGE CODE	DRAWING NO. ZEICHNUNGS-NR.	RESTRICTED TO NUR FUER
A2	00779	1418918	-
SHEET BLATT		OF VON	REV.
1		2	B2

LOC	DIST	REVISIONS				
A1	-	AENDERUNGEN	DESCRIPTION	DATE	DWN	APVD
PROJEKT NR.:		-	SEE SHEET 1	-	-	-

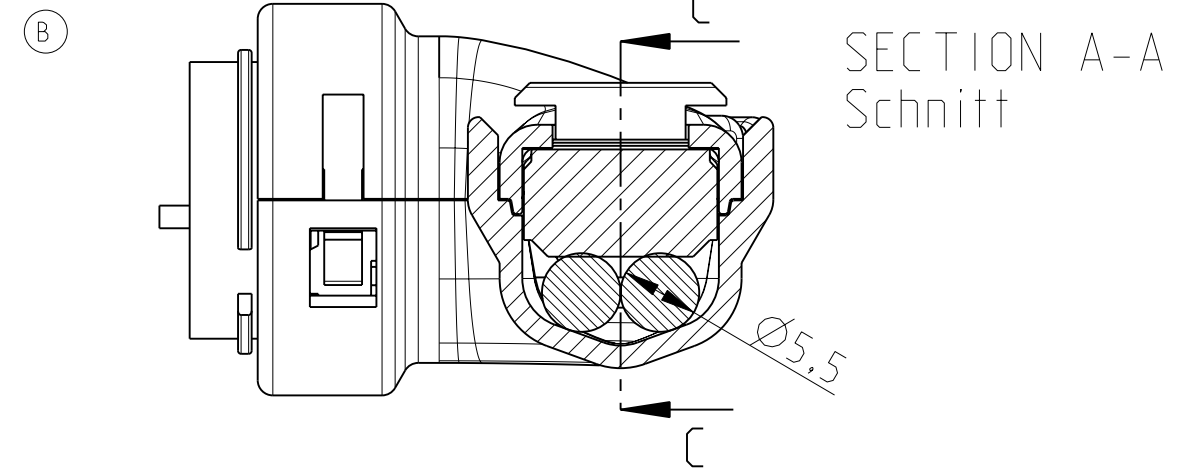
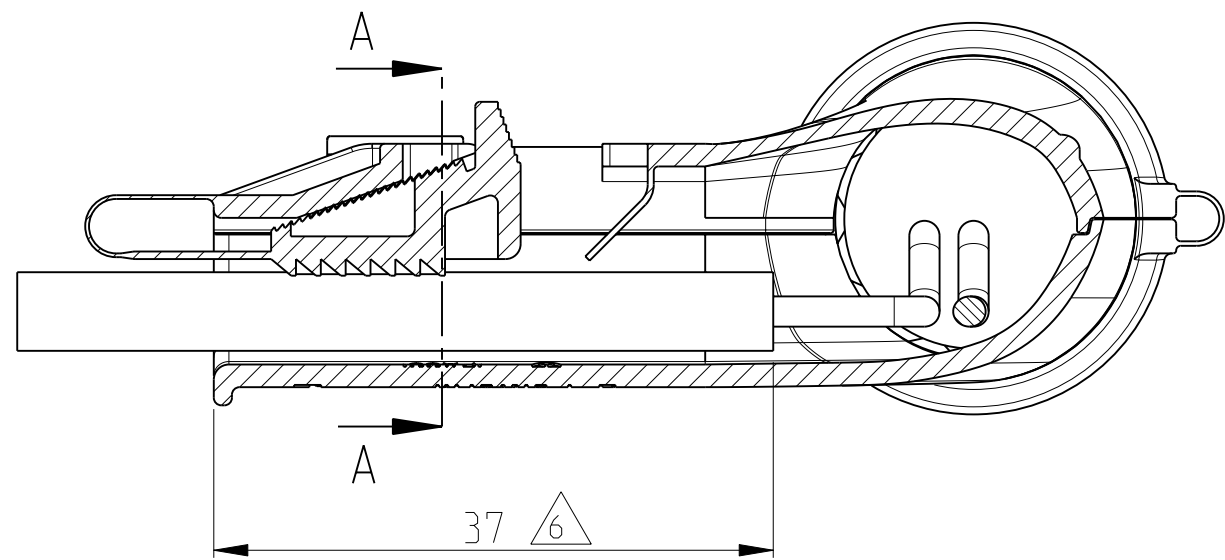
SECTION C-C
Schnitt

MULTI CORE CABLE VARIANT 2x 6.5
Multi Core Kabel Variante 2x 6.5



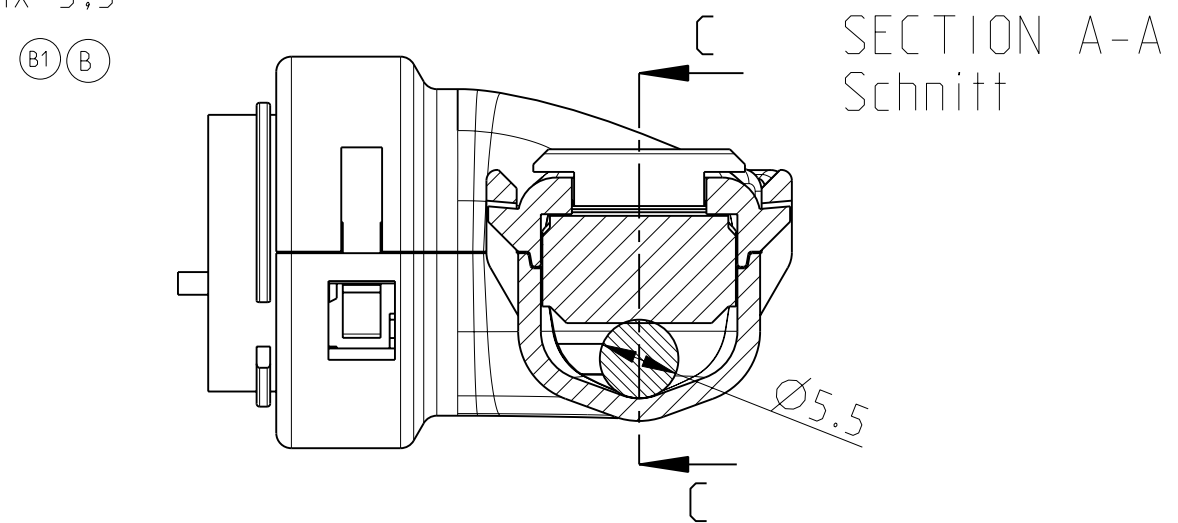
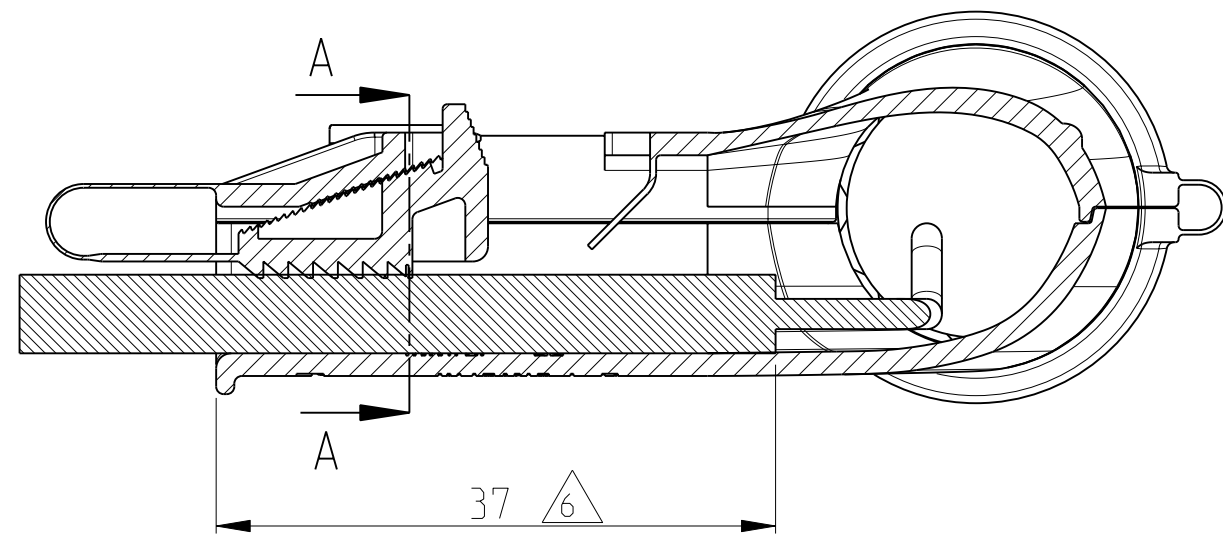
SECTION C-C
Schnitt

MULTI CORE CABLE VARIANT 2x 5.5
Multi Core Kabel Variante 2x 5.5



SECTION C-C
Schnitt

MULTI CORE CABLE VARIANT 1x 5.5
Multi Core Kabel Variante 1x 5.5



<small>THIS DRAWING IS A CONTROLLED DOCUMENT FOR TYCO ELECTRONICS CORPORATION IT IS SUBJECT TO CHANGE AND THE CONTROLLING ENGINEERING ORGANIZATION SHOULD BE CONTACTED FOR THE LATEST REVISION. DIESES ZEICHNUNGSDOKUMENT WIRD DURCH AMP INCORPORATED KONTROLLIERT. AENDERUNGEN, DIE DEM TECHNISCHEN FORTSCHRITT DIENEN, SIND VORBEHALTEN. DEN JEWELIS LETZTGÜLTIGEN AENDERUNGSSTAND ERFAHREN SIE AUF ANFRAGE.</small>		DWN E. Eltrop 100CT2002 CHK Ch. Eberwein 13JUN2003 APVD Ch. Eberwein 07MAY2010	Tyco Electronics AMP GmbH 64625 Bensheim (Germany)
DIMENSIONS: MASSEINHEITEN: (MM)	TOLERANCES UNLESS OTHERWISE SPECIFIED: ALLGEMEINTOLERANZEN 0 PLC ± 1 PLC ± 2 PLC ± 3 PLC ± 4 PLC ± ANGLES/WINKEL ±2° FINISH/OBERFLÄCHE/FARBE	PRODUCT SPEC 108-18622-0 APPLICATION SPEC 114-18255-0 WEIGHT 9g	NAME MULTI CORE CABLE ADAPTER 90 DEGREE Multi Core Kabel Adapter 90 Grad
MATERIAL -	FINISH/OBERFLÄCHE/FARBE -	CUSTOMER DRAWING /KUNDENZEICHNUNG	SIZE A2 CAGE CODE 00779 DRAWING NO. ZEICHNUNGS-NR. 1418918 SCALE MASSSTAB 2:1 SHEET BLATT 2 OF VON 2 REV. B2