



Chipsmall Limited consists of a professional team with an average of over 10 year of expertise in the distribution of electronic components. Based in Hongkong, we have already established firm and mutual-benefit business relationships with customers from,Europe,America and south Asia,supplying obsolete and hard-to-find components to meet their specific needs.

With the principle of “Quality Parts,Customers Priority,Honest Operation,and Considerate Service”,our business mainly focus on the distribution of electronic components. Line cards we deal with include Microchip,ALPS,ROHM,Xilinx,Pulse,ON,Everlight and Freescale. Main products comprise IC,Modules,Potentiometer,IC Socket,Relay,Connector.Our parts cover such applications as commercial,industrial, and automotives areas.

We are looking forward to setting up business relationship with you and hope to provide you with the best service and solution. Let us make a better world for our industry!



Contact us

Tel: +86-755-8981 8866 Fax: +86-755-8427 6832

Email & Skype: info@chipsmall.com Web: www.chipsmall.com

Address: A1208, Overseas Decoration Building, #122 Zhenhua RD., Futian, Shenzhen, China



D-SUB sleeve housings - CUC-DST-GPME-S/DSSC25 - 1419719

Please be informed that the data shown in this PDF Document is generated from our Online Catalog. Please find the complete data in the user's documentation. Our General Terms of Use for Downloads are valid (<http://phoenixcontact.com/download>)

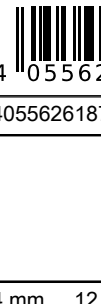


D-SUB sleeve housings, degree of protection: IP20, material: ABS, metal-plated, cable outlet: straight, size of housing: 3, color: Bare metallic

Why buy this product

- Easy to mount thanks to pre-assembled locking screws
- Antimagnetic plastic housing
- Particularly suitable for D-SUB connectors with special contacts thanks to large interior

Key Commercial Data

Packing unit	1 STK
GTIN	 4 055626 187891
GTIN	4055626187891

Technical data

Mechanical characteristics

External cable diameter	4 mm ... 12 mm
Cable outlet	straight
Color	Bare metallic
Mounting type	Screw locking
Screw thread	4-40 UNC
Degree of protection	IP20
Type	D-SUB 25
Size of housing	3
No. of cable outlets	1

Ambient conditions

Ambient temperature (operation)	-35 °C ... 95 °C
---------------------------------	------------------

Material data

D-SUB sleeve housings - CUC-DST-GPME-S/DSSSC25 - 1419719

Technical data

Material data

Flammability rating according to UL 94	V0
Housing material	ABS, metal-plated
Housing surface material	metal-plated

Standards and Regulations

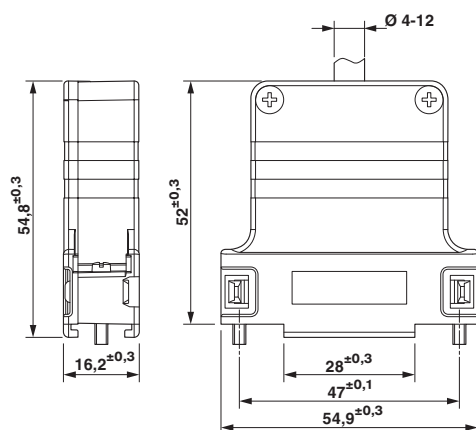
Flammability rating according to UL 94	V0
--	----

Environmental Product Compliance

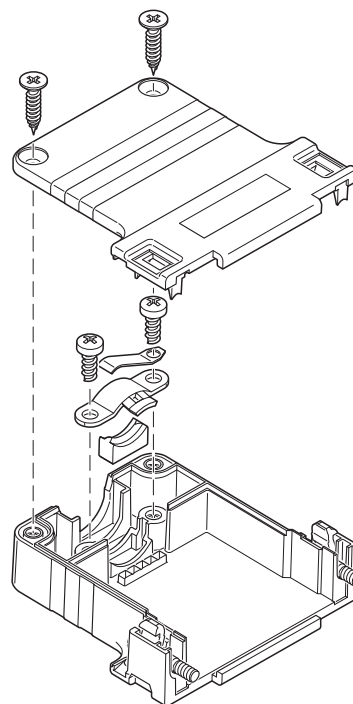
China RoHS	Environmentally friendly use period: unlimited = EFUP-e
	No hazardous substances above threshold values

Drawings

Dimensional drawing



Schematic diagram



D-SUB sleeve housings