



Chipsmall Limited consists of a professional team with an average of over 10 year of expertise in the distribution of electronic components. Based in Hongkong, we have already established firm and mutual-benefit business relationships with customers from,Europe,America and south Asia,supplying obsolete and hard-to-find components to meet their specific needs.

With the principle of “Quality Parts,Customers Priority,Honest Operation,and Considerate Service”,our business mainly focus on the distribution of electronic components. Line cards we deal with include Microchip,ALPS,ROHM,Xilinx,Pulse,ON,Everlight and Freescale. Main products comprise IC,Modules,Potentiometer,IC Socket,Relay,Connector.Our parts cover such applications as commercial,industrial, and automotives areas.

We are looking forward to setting up business relationship with you and hope to provide you with the best service and solution. Let us make a better world for our industry!



Contact us

Tel: +86-755-8981 8866 Fax: +86-755-8427 6832

Email & Skype: info@chipsmall.com Web: www.chipsmall.com

Address: A1208, Overseas Decoration Building, #122 Zhenhua RD., Futian, Shenzhen, China



D-SUB sleeve housings - CUC-DST-GPME-A/DSSC25 - 1419721

Please be informed that the data shown in this PDF Document is generated from our Online Catalog. Please find the complete data in the user's documentation. Our General Terms of Use for Downloads are valid (<http://phoenixcontact.com/download>)




D-SUB sleeve housings, contact inserts: x , degree of protection: IP20, material: ABS, metal-plated, cable outlet: angled, size of housing: 3, color: Bare metallic

Why buy this product

- Easy to mount thanks to pre-assembled locking screws
- Angled conductor entry
- Antimagnetic plastic housing
- Particularly suitable for D-SUB connectors with special contacts thanks to large interior

Key Commercial Data

| | |
|--------------|---|
| Packing unit | 1 STK |
| GTIN |  4 055626 188003 |
| GTIN | 4055626188003 |

Technical data

Mechanical characteristics

| | |
|-------------------------|----------------|
| External cable diameter | 4 mm ... 12 mm |
| Cable outlet | angled |
| Color | Bare metallic |
| Mounting type | Screw locking |
| Screw thread | 4-40 UNC |
| Degree of protection | IP20 |
| Type | D-SUB 25 |
| Size of housing | 3 |
| No. of cable outlets | 1 |

Ambient conditions

| | |
|---------------------------------|------------------|
| Ambient temperature (operation) | -35 °C ... 95 °C |
|---------------------------------|------------------|

D-SUB sleeve housings - CUC-DST-GPME-A/DSSSC25 - 1419721

Technical data

Material data

| | |
|--|-------------------|
| Flammability rating according to UL 94 | V0 |
| Housing material | ABS, metal-plated |
| Housing surface material | metal-plated |

Standards and Regulations

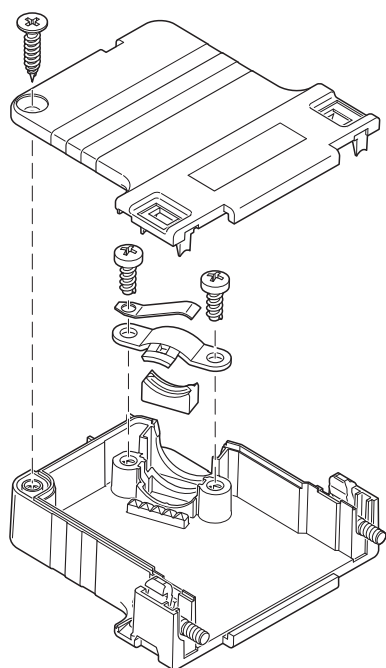
| | |
|--|----|
| Flammability rating according to UL 94 | V0 |
|--|----|

Environmental Product Compliance

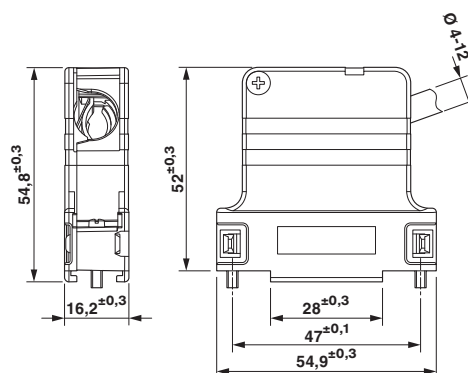
| | |
|------------|---|
| China RoHS | Environmentally friendly use period: unlimited = EFUP-e |
| | No hazardous substances above threshold values |

Drawings

Schematic diagram



Dimensional drawing



D-SUB sleeve housings