



Chipsmall Limited consists of a professional team with an average of over 10 year of expertise in the distribution of electronic components. Based in Hongkong, we have already established firm and mutual-benefit business relationships with customers from,Europe,America and south Asia,supplying obsolete and hard-to-find components to meet their specific needs.

With the principle of “Quality Parts,Customers Priority,Honest Operation,and Considerate Service”,our business mainly focus on the distribution of electronic components. Line cards we deal with include Microchip,ALPS,ROHM,Xilinx,Pulse,ON,Everlight and Freescale. Main products comprise IC,Modules,Potentiometer,IC Socket,Relay,Connector.Our parts cover such applications as commercial,industrial, and automotives areas.

We are looking forward to setting up business relationship with you and hope to provide you with the best service and solution. Let us make a better world for our industry!



Contact us

Tel: +86-755-8981 8866 Fax: +86-755-8427 6832

Email & Skype: info@chipsmall.com Web: www.chipsmall.com

Address: A1208, Overseas Decoration Building, #122 Zhenhua RD., Futian, Shenzhen, China



Contact insert module - HC-M-RJ45-08-M - 1419887


Please be informed that the data shown in this PDF Document is generated from our Online Catalog. Please find the complete data in the user's documentation. Our General Terms of Use for Downloads are valid (<http://phoenixcontact.com/download>)



Contact insert module, number of positions: RJ45, type : RJ45, Pin, 50 V, 1 A, application: Data



Key Commercial Data

Packing unit	1 STK
GTIN	 4 055626 253251
GTIN	4055626253251

Technical data

Dimensions

Height	41 mm
Width	34.2 mm
Length	14.6 mm

Electrical characteristics

Note	Scope of supply: contact insert module, RJ45 pin insert
Rated voltage (III/3)	50 V
Rated current	1 A
Rated surge voltage	0.8 kV
Connection profile	RJ45
Transmission characteristics (category)	CAT6 _A (IEC 60512-27-100:2008, TIA-568-C.2:2009)

Ambient conditions

Ambient temperature (operation)	-25 °C ... 60 °C
---------------------------------	------------------

Mechanical characteristics

Connection cross section AWG	24 ... 27 (flexible)
Insertion/withdrawal cycles	≥ 500

General

Contact insert module - HC-M-RJ45-08-M - 1419887

Technical data

General

Type	RJ45
Series	HC-M-RJ45
Color	yellow
Number of module slots	1
Flammability rating according to UL 94	V0
Degree of pollution	3
Overvoltage category	III

Material data

Contact material	Phosphor bronze
Contact surface material	Au
Contact carrier material	PC

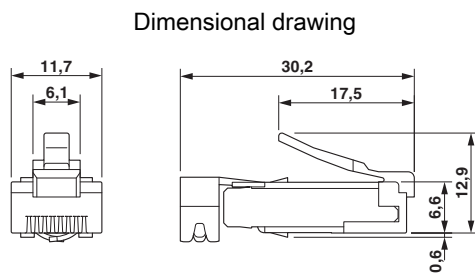
Standards and Regulations

Flammability rating according to UL 94	V0
--	----

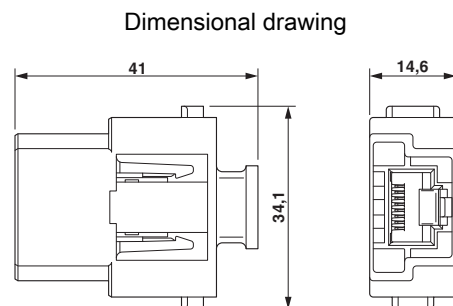
Environmental Product Compliance

China RoHS	Environmentally friendly use period: unlimited = EFUP-e
	No hazardous substances above threshold values

Drawings



RJ45 male insert



Contact insert module

Approvals

Approvals

Approvals




CSA / UL Recognized / EAC

Ex Approvals

Contact insert module - HC-M-RJ45-08-M - 1419887

Approvals

Approval details

CSA		http://www.csagroup.org/services-industries/product-listing/	13631
UL Recognized		http://database.ul.com/cgi-bin/XYV/template/LISEXT/1FRAME/index.htm	E118976
EAC			RU C- DE.AI30.B.01102

Phoenix Contact 2018 © - all rights reserved
<http://www.phoenixcontact.com>

PHOENIX CONTACT GmbH & Co. KG
Flachsmarktstr. 8
32825 Blomberg
Germany
Tel. +49 5235 300
Fax +49 5235 3 41200
<http://www.phoenixcontact.com>