



Chipsmall Limited consists of a professional team with an average of over 10 year of expertise in the distribution of electronic components. Based in Hongkong, we have already established firm and mutual-benefit business relationships with customers from,Europe,America and south Asia,supplying obsolete and hard-to-find components to meet their specific needs.

With the principle of "Quality Parts,Customers Priority,Honest Operation,and Considerate Service",our business mainly focus on the distribution of electronic components. Line cards we deal with include Microchip,ALPS,ROHM,Xilinx,Pulse,ON,Everlight and Freescale. Main products comprise IC,Modules,Potentiometer,IC Socket,Relay,Connector.Our parts cover such applications as commercial,industrial, and automotives areas.

We are looking forward to setting up business relationship with you and hope to provide you with the best service and solution. Let us make a better world for our industry!



Contact us

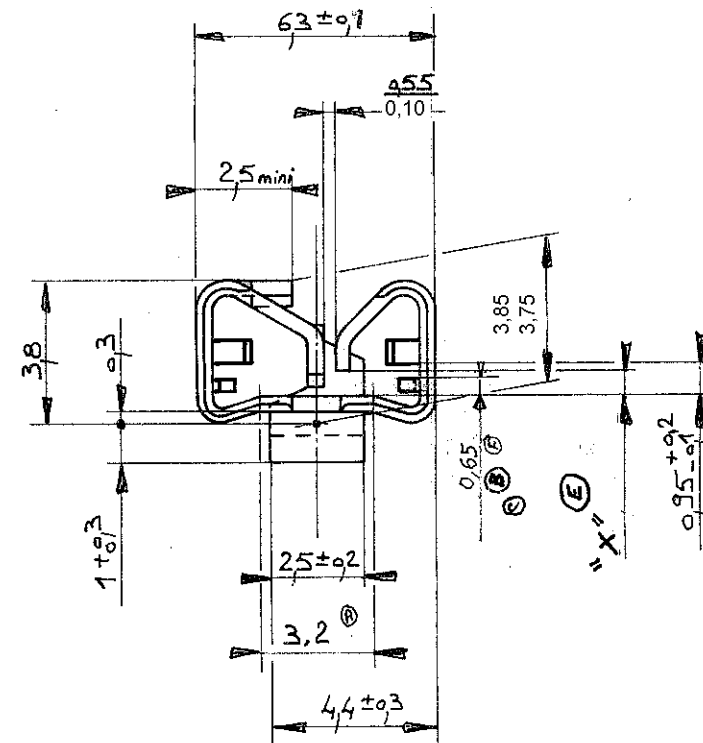
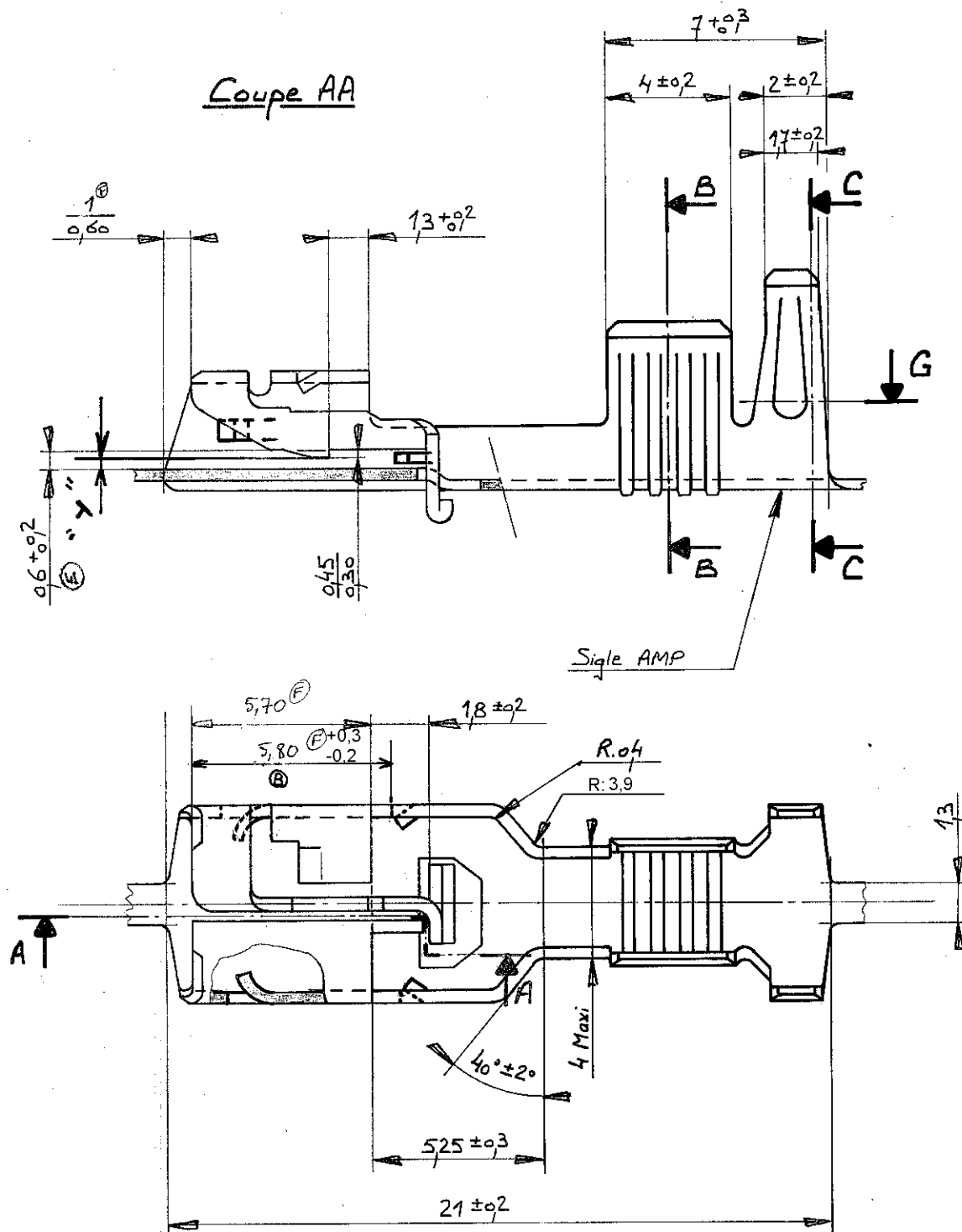
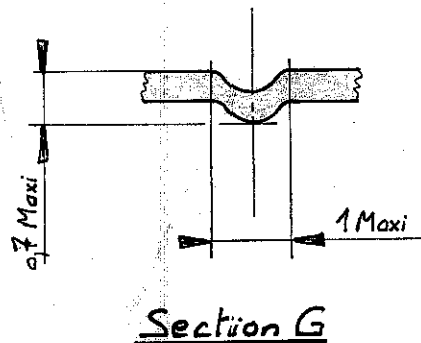
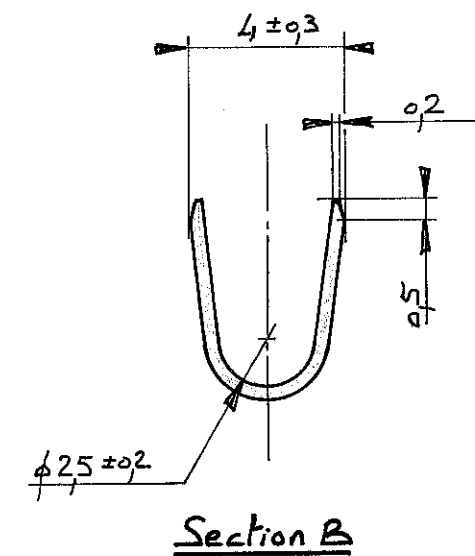
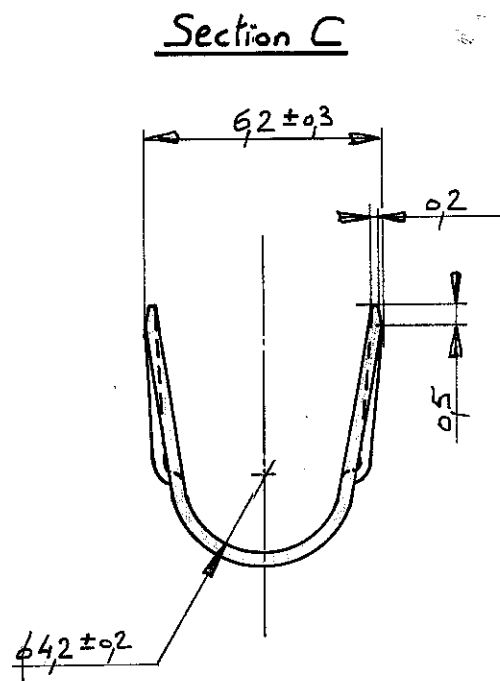
Tel: +86-755-8981 8866 Fax: +86-755-8427 6832

Email & Skype: info@chipsmall.com Web: www.chipsmall.com

Address: A1208, Overseas Decoration Building, #122 Zhenhua RD., Futian, Shenzhen, China



PLAN CLIENT
VALABLE UNIQUEMENT
POUR RÉFÉRENCE



0,72	0,45	1-141993-2	LAITON UZ15	PRÉ-ÉTAMÉ ou ÉTAMÉ 3 _μ MAX
0,60	0,30	1-141993-1	LAITON UZ15	BRUT
0,63	0,30	141 993 - 2	LAITON UZ15	PRÉ-ÉTAMÉ ou ÉTAMÉ 3 _μ MAX
0,63	0,30	141 993 - 1	LAITON UZ15	BRUT
X ± 0,1	Y ± 0,2	REFERENCE DE LA PIECE	MATIERE	FINITION

REV	MODIFICATIONS	DES	DATE	NUMERO	DESCRIPTION	OBSERVATION	REP.
H	REVISE	RP	03/06		DESSINE		
G	REVISE	IPP	27/83		Arnauld		
F	REVISE	PP	30/83		17 III B2		
E	REVISE	M.C.	1/84		VERIFIE		
D	REVISE	MC	3/84		APPROUVE		
C	REVISE	P.P.	28/08				
B	REVISE	STI	8/2/85				
A	REVISE	PP	27/9/82				
				NUMERO	DESCRIPTION	OBSERVATION	REP.
				© 1982 BY AMP INCORPORATED ALL RIGHTS RESERVED. AMP PRODUCTS COVERED BY PATENTS AND/OR PATENTS PENDING		DESSIN CLIENT UNIQUEMENT POUR REFERENCES	
				MATIERE ET FINITION	AMP DE FRANCE 95301 PONTOISE		
				LAITON UZ15 ép. 04	CLASSE		
				DURETE ≥ 150	1		
				PAS 22 ± 0,1			
				DIMENS. FIL	ISOLANT	TYPE	
				3 x 0,5 mm ²	φ4,9 Maxi		
				TOLERANCES	ECHELLE	LOC	REV
				± 0,1 ± 5°	5/1	F	H
				N° C 141 993			
				CLIP SECURITE DROIT 5mm A			
				VERROUILLAGE POSITIF			

COPIE NON PUBLIÉE . REPRODUCTION
OU COMMUNICATION INTERDITE SANS
ACCORD ÉCRIT D'AMP DE FRANCE