



Chipsmall Limited consists of a professional team with an average of over 10 year of expertise in the distribution of electronic components. Based in Hongkong, we have already established firm and mutual-benefit business relationships with customers from,Europe,America and south Asia,supplying obsolete and hard-to-find components to meet their specific needs.

With the principle of “Quality Parts,Customers Priority,Honest Operation,and Considerate Service”,our business mainly focus on the distribution of electronic components. Line cards we deal with include Microchip,ALPS,ROHM,Xilinx,Pulse,ON,Everlight and Freescale. Main products comprise IC,Modules,Potentiometer,IC Socket,Relay,Connector.Our parts cover such applications as commercial,industrial, and automotives areas.

We are looking forward to setting up business relationship with you and hope to provide you with the best service and solution. Let us make a better world for our industry!



Contact us

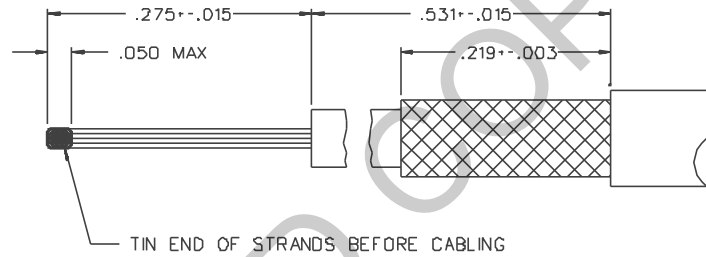
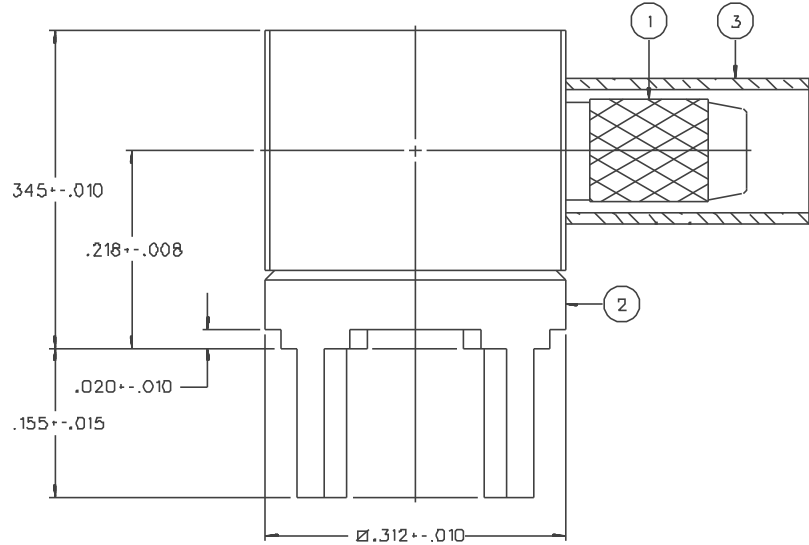
Tel: +86-755-8981 8866 Fax: +86-755-8427 6832

Email & Skype: info@chipsmall.com Web: www.chipsmall.com

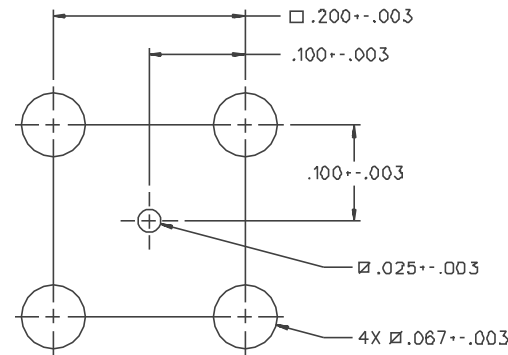
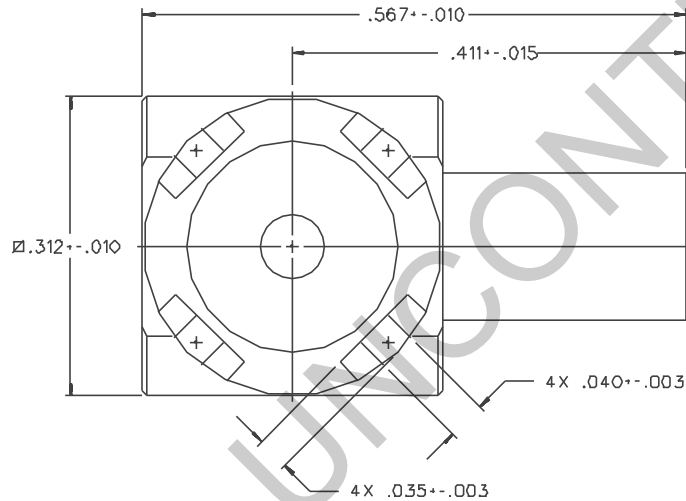
Address: A1208, Overseas Decoration Building, #122 Zhenhua RD., Futian, Shenzhen, China



PART NUMBER	ITEM ① BODY	ITEM ② BASE	ITEM ③ CRIMP SLEEVE
142-0003-301	BRASS GOLD PL .00001 MIN OVER NICKEL PL .00005 MIN OVER COPPER PL .00005 MIN	BRASS GOLD PL .00001 MIN OVER NICKEL PL .00005 MIN OVER COPPER PL .00005 MIN	COPPER GOLD PL .00001 MIN OVER NICKEL PL .00005 MIN OVER COPPER PL .00005 MIN
142-0003-306	BRASS NICKEL PL .0001 MIN OVER COPPER PL .00005 MIN	BRASS NICKEL PL .0001 MIN OVER COPPER PL .00005 MIN	COPPER NICKEL PL .0001 MIN OVER COPPER PL .00005 MIN
142-0003-307	BRASS NICKEL PL .0001 MIN OVER COPPER PL .00005 MIN	BRASS NICKEL PL .0001 MIN OVER COPPER PL .00005 MIN Δ	COPPER NICKEL PL .0001 MIN OVER COPPER PL .00005 MIN



CABLE STRIP DIMENSIONS



MOUNTING HOLE LAYOUT

NOTES:

1. SPECIFICATIONS:

CABLE ACCEPTABILITY: RG 188/U, RG 316/U, RG 161/U
 RG 174/U, RG 179/U, RG 187/U
 CABLE HEX CRIMP SIZE: .125
 CABLE RETENTION: 20 LBS MIN OR CABLE BREAKING STRENGTH

Δ CONNECTOR MOUNTING LEADS 60/40 TIN/LEAD DIPPED (SOLDER PLATE).

DRAWING NO.	
C - 142-0003-301/310	
0	REVISIONS
CHANGED: REVISED AND REDRAWN. WAS "D" SIZE, DATED 10-3-86.	
03	04-12-88 EJ RRF RJB 5-19-88 ECD 23408
ADDED: P/N 142-0003-307, NOTE 2	
4	7-16-92 R H ECD 41140

CUSTOMER DRAWING

THIS DRAWING TO BE INTERPRETED
 PER ANSI Y 14.5M - 1982

"μSTATION"

COMPANY CONFIDENTIAL

TOLERANCE UNLESS OTHERWISE SPECIFIED		DRAWN BY EJ		DATE 4-12-88		JOHNSON® <small>Cinch Connectivity Solutions 299 Johnson Ave. Ste. 100 Worcester, MA 01605 1-800-247-8256</small>	
DECIMALS	mm	CHECKED BY	DATE	TITLE CABLE TERMINATION, RA PC MOUNT RG 316			
.XXX		APPROVED BY RRF	DATE 5-16-88	CODE NO.	DRAWING NO. C - 142-0003-301/310		
MATL		APPROVED BY RJB	DATE 5-16-88	SCALE 10:1	U/M INCH	SHEET 2 OF 2	
FINISH		RELEASE DATE (12-1-86) 5-19-88					