



Chipsmall Limited consists of a professional team with an average of over 10 year of expertise in the distribution of electronic components. Based in Hongkong, we have already established firm and mutual-benefit business relationships with customers from,Europe,America and south Asia,supplying obsolete and hard-to-find components to meet their specific needs.

With the principle of “Quality Parts,Customers Priority,Honest Operation,and Considerate Service”,our business mainly focus on the distribution of electronic components. Line cards we deal with include Microchip,ALPS,ROHM,Xilinx,Pulse,ON,Everlight and Freescale. Main products comprise IC,Modules,Potentiometer,IC Socket,Relay,Connector.Our parts cover such applications as commercial,industrial, and automotives areas.

We are looking forward to setting up business relationship with you and hope to provide you with the best service and solution. Let us make a better world for our industry!



Contact us

Tel: +86-755-8981 8866 Fax: +86-755-8427 6832

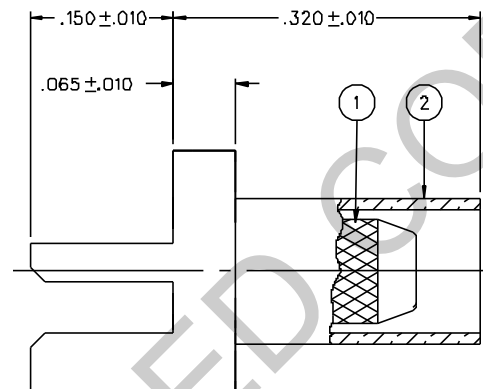
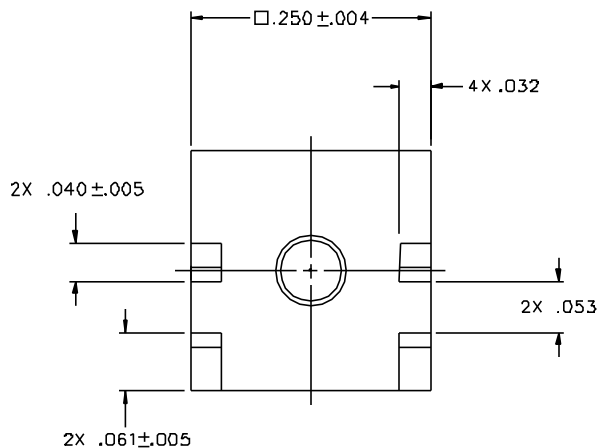
Email & Skype: info@chipsmall.com Web: www.chipsmall.com

Address: A1208, Overseas Decoration Building, #122 Zhenhua RD., Futian, Shenzhen, China

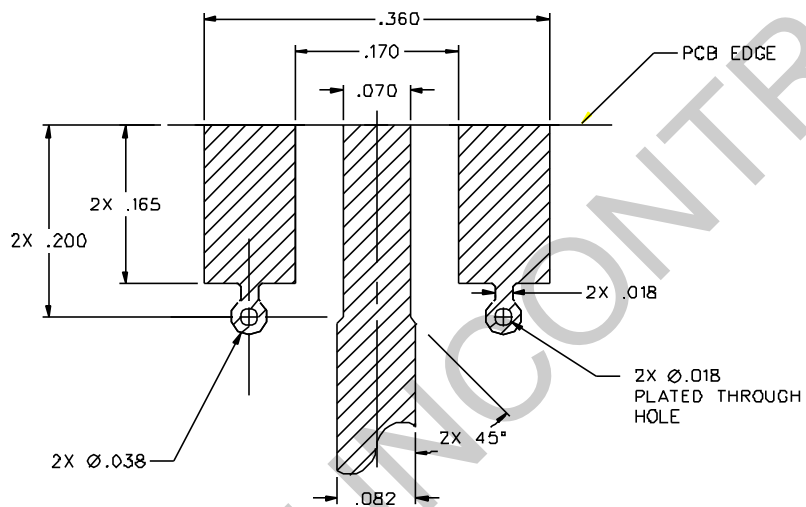


| PART NUMBER | ITEM ① BODY | ITEM ② CRIMP SLEEVE |
|--------------|---|--|
| 142-0003-811 | BRASS GOLD PL .00001 MIN OVER NICKEL PL .00005 MIN OVER COPPER PL .00005 MIN | COPPER GOLD PL .00001 MIN OVER NICKEL PL .00005 MIN OVER COPPER PL .00005 MIN |
| 142-0003-816 | BRASS NICKEL PL .0001 MIN OVER COPPER PL .00005 MIN | COPPER NICKEL PL .0001 MIN OVER COPPER PL .00005 MIN |

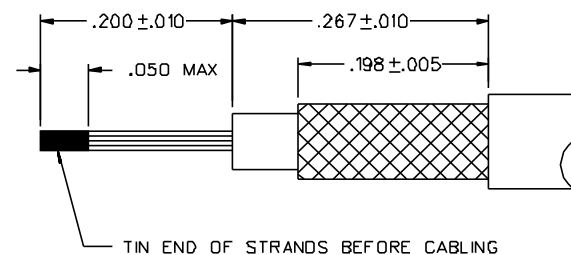
| | |
|-------------------------------------|--------------------------------|
| DRAWING NO. C - 142-0003-811/820 | |
| 0 | REVISIONS |
| ENGINEERING RELEASE | |
| 1 | 8-26-98 R H K T R ECN 45B23 |



DIMENSIONS ARE SYMMETRICAL ABOUT THE CENTERLINE



TRACE WIDTH DIMENSIONS



CABLE STRIP DIMENSIONS

CUSTOMER DRAWING

THIS DRAWING TO BE INTERPRETED PER ANSI Y 14.5M - 1982


"μSTATION"

COMPANY CONFIDENTIAL

NOTES:

1. SPECIFICATIONS:

CABLE ACCEPTABILITY: RG 188/U, RG 316/U, RG 161/U
 RG 174/U, RG 179/U, RG 187/U
 CABLE HEX CRIMP SIZE: .128
 CABLE RETENTION: 20 LBS
 IMPEDANCE: 50 OHMS

| | | | |
|--------------------------------------|--------------------|-----------------|---|
| TOLERANCE UNLESS OTHERWISE SPECIFIED | DRAWN BY KAS | DATE 5/19/98 |  Cinch Connectivity Solutions 299 Johnson Ave. Ste. 100 Worcester, MA 01605 1-800-247-8256 |
| DECIMALS .XX | CHECKED BY KAS | DATE 8-27-98 | |
| XXX--.003 | APPROVED BY TAK | DATE 9-9-98 | TITLE CABLE TERMINATION, .053 END LAUNCH, RG 316 |
| MATL | APPROVED BY RJB | DATE 9-11-98 | CODE NO. |
| FINISH | RELEASE DATE | | DRAWING NO. C - 142-0003-811/820 |
| SCALE 10:1 U/M INCH | | | SHEET 2 OF 2 |