



Chipsmall Limited consists of a professional team with an average of over 10 year of expertise in the distribution of electronic components. Based in Hongkong, we have already established firm and mutual-benefit business relationships with customers from,Europe,America and south Asia,supplying obsolete and hard-to-find components to meet their specific needs.

With the principle of “Quality Parts,Customers Priority,Honest Operation,and Considerate Service”,our business mainly focus on the distribution of electronic components. Line cards we deal with include Microchip,ALPS,ROHM,Xilinx,Pulse,ON,Everlight and Freescale. Main products comprise IC,Modules,Potentiometer,IC Socket,Relay,Connector.Our parts cover such applications as commercial,industrial, and automotives areas.

We are looking forward to setting up business relationship with you and hope to provide you with the best service and solution. Let us make a better world for our industry!



Contact us

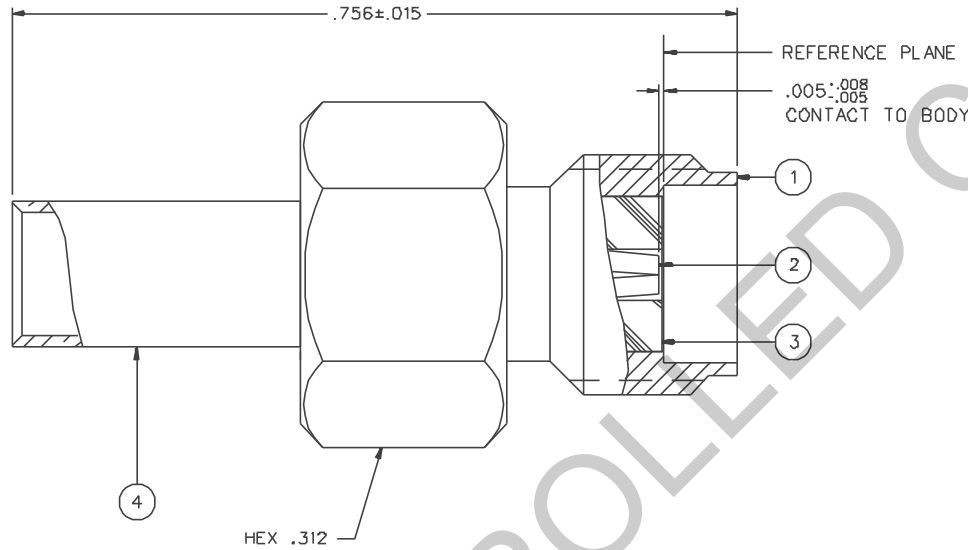
Tel: +86-755-8981 8866 Fax: +86-755-8427 6832

Email & Skype: info@chipsmall.com Web: www.chipsmall.com

Address: A1208, Overseas Decoration Building, #122 Zhenhua RD., Futian, Shenzhen, China



PART NUMBER	ITEM ① BODY	ITEM ② CONTACT	ITEM ③ INSULATOR	ITEM ④ CRIMP SLEEVE
142-0303-011	BRASS GOLD PL .00001 MIN OVER NICKEL PL .00005 MIN OVER COPPER PL .00005 MIN	BERYLLIUM COPPER GOLD PL .00005 MIN OVER NICKEL PL .00005 MIN OVER COPPER PL .00005 MIN	TEFLON	COPPER GOLD PL .00001 MIN OVER NICKEL PL .00005 MIN OVER COPPER PL .00005 MIN
142-0303-016	BRASS NICKEL PL .0001 MIN OVER COPPER PL .00005 MIN	BERYLLIUM COPPER GOLD PL .00005 MIN OVER NICKEL PL .00005 MIN OVER COPPER PL .00005 MIN	TEFLON	COPPER NICKEL PL .0001 MIN OVER COPPER PL .00005 MIN



NOTES:

1. SPECIFICATIONS:

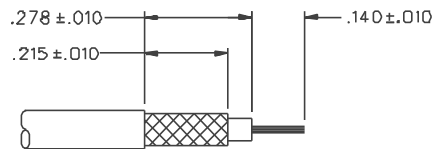
IMPEDANCE: 50 OHMS
 FREQUENCY RANGE: 0-12.4 GHz
 VSWR: 1.15-.02F MAX (F IN GHz)
 WORKING VOLTAGE: 250 VRMS MAX AT SEA LEVEL
 DIELECTRIC WITHSTANDING VOLTAGE: 750 VRMS MIN AT SEA LEVEL
 INSULATION RESISTANCE: 5000 MEGOHM MIN
 CONTACT RESISTANCE:
 CENTER CONTACT - INITIAL 3.0 MILLIOHM MAX, AFTER ENVIRONMENTAL 4.0 MILLIOHM MAX
 OUTER CONDUCTOR - INITIAL 2.0 MILLIOHM MAX
 AFTER ENVIRONMENTAL NOT APPLICABLE
 BODY TO CABLE - 0.5 MILLIOHM MAX (GOLD PLATED)
 5.0 MILLIOHM MAX (NICKEL PLATED)
 CORONA LEVEL: 190 VOLTS MIN AT 70,000 FEET
 INSERTION LOSS: .06 √F dB MAX (F IN GHz) AT 6 GHz
 RF LEAKAGE: -60 DB MIN AT 2.5 GHz
 RF HIGH POTENTIAL WITHSTANDING VOLTAGE: 500 VRMS MIN AT 4 AND 7 MHz

MECHANICAL:

ENGAGE/DISENGAGE TORQUE: 2 INCH-POUNDS MAX
 MATING TORQUE: 7-10 INCH POUNDS
 COUPLING PROOF TORQUE: NOT APPLICABLE
 COUPLING NUT RETENTION: NOT APPLICABLE
 CONTACT RETENTION: 6 LBS MIN
 CABLE ACCEPTABILITY: RG 18B/U, RG 316/U
 RG 161/U, RG 174/U
 CABLE HEX CRIMP SIZE: .12B
 CONTACT CRIMP TOOL: P/N 144-00DD-91D WITH POSITIONER 141-0000-907
 CABLE RETENTION: 20 LBS MIN AXIAL FORCE
 DURABILITY: 500 CYCLES MIN

ENVIRONMENTAL:

(MEETS OR EXCEEDS THE APPLICABLE PARAGRAPH OF MIL-C-39012)
 THERMAL SHOCK: MIL-STD-202, METHOD 107, CONDITION B, EXCEPT B5° C HIGH TEMP
 OPERATING TEMPERATURE: -65° C TO 165° C
 CORROSION: MIL-STD-202, METHOD 101, CONDITION B
 SHOCK: MIL-STD-202, METHOD 213, CONDITION I
 VIBRATION: ML-STD-202, METHOD 204, CONDITION D
 MOISTURE RESISTANCE: MIL-STD-202, METHOD 106



CABLE STRIP DIMENSIONS

4:1

DRAWING NO. C - 142-0303-011/020			
0 REVISIONS			
ENGINEERING RELEASE			
1	8-28-92	R H A B	9-1-92 ECO 41221
VERSION UPDATE			
1a	4-17-95	R S I R F H W A B A	4-28-95 ECN 43193
VERSION UPDATE			
1b	5-17-00	R S I R F H S B B H	8-2-00 ECN 47111
ADDED: CONTACT CRIMP TOOL P/N'S * REVISION NUMBER FOLLOWED BY AN ALPHA * * CHARACTER INDICATED DRAWING CLARIFY * * CATION OR PART NUMBER ADDITION ONLY *			
1c	11-7-DD	R K I R H A K B	ECN 4731B

CUSTOMER DRAWING

THIS DRAWING TO BE INTERPRETED PER ANSIZ 14.5M - 1982

"μSTATION"

COMPANY CONFIDENTIAL

TOLERANCE UNLESS OTHERWISE SPECIFIED		DRAWN BY TAK	DATE 5-14-92	 <small>Cinch Connectivity Solutions 299 Johnson Ave. Ste. 100 Waukegan, MN 56093 1-800-247-8256</small>
DECIMALS .XX	mm	CHECKED BY	DATE	
.XXX REF		APPROVED BY TAK	DATE 8-28-92	TITLE JACK ASSEMBLY STRAIGHT CABLED SMA, RG 316
MATL		APPROVED BY RJB	DATE 8-28-92	CODE NO.
FINISH		RELEASE DATE	9-1-92	DRAWING NO. C - 142-0303-011/020
				SCALE 10:1 U/M INCH SHEET 2 OF 2