



Chipsmall Limited consists of a professional team with an average of over 10 year of expertise in the distribution of electronic components. Based in Hongkong, we have already established firm and mutual-benefit business relationships with customers from,Europe,America and south Asia,supplying obsolete and hard-to-find components to meet their specific needs.

With the principle of "Quality Parts,Customers Priority,Honest Operation,and Considerate Service",our business mainly focus on the distribution of electronic components. Line cards we deal with include Microchip,ALPS,ROHM,Xilinx,Pulse,ON,Everlight and Freescale. Main products comprise IC,Modules,Potentiometer,IC Socket,Relay,Connector.Our parts cover such applications as commercial,industrial, and automotives areas.

We are looking forward to setting up business relationship with you and hope to provide you with the best service and solution. Let us make a better world for our industry!



## Contact us

Tel: +86-755-8981 8866 Fax: +86-755-8427 6832

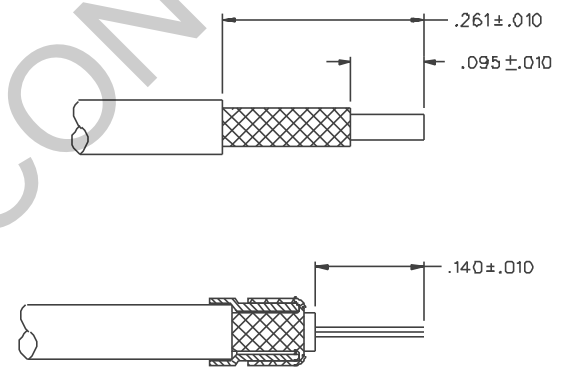
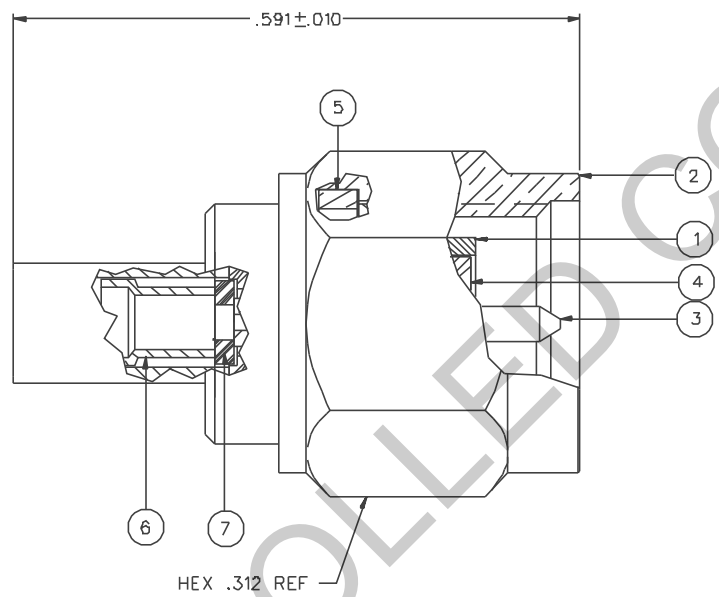
Email & Skype: info@chipsmall.com Web: www.chipsmall.com

Address: A1208, Overseas Decoration Building, #122 Zhenhua RD., Futian, Shenzhen, China



| PART NUMBER  | ITEM ①<br>BODY  | ITEM ②<br>NUT   | ITEM ③<br>CONTACT   | ITEM ④<br>INSULATOR | ITEM ⑤<br>RETENTION SPRING   | ITEM ⑥<br>CRIMP INSERT   | ITEM ⑦<br>REAR INSULATOR |
|--------------|---|---|---|---------------------|------------------------------|--|--------------------------|
| 142-D402-D11 | BRASS<br>GOLD PL .00001 MIN OVER<br>NICKEL PL .00005 MIN OVER<br>COPPER PL .00005 MIN | BRASS<br>GOLD PL .00001 MIN OVER<br>NICKEL PL .00005 MIN OVER<br>COPPER PL .00005 MIN | BRASS<br>GOLD PL .00005 MIN OVER<br>NICKEL PL .00005 MIN OVER<br>COPPER PL .00005 MIN | TEFLON              | BERYLLIUM COPPER<br>UNPLATED | COPPER<br>GOLD PL .00001 MIN OVER<br>NICKEL PL .00005 MIN OVER<br>COPPER PL .00005 MIN | TEFLON                   |
| 142-D402-D16 | BRASS<br>NICKEL PL .0001 MIN OVER<br>COPPER PL .00005 MIN                             | BRASS<br>NICKEL PL .0001 MIN OVER<br>COPPER PL .00005 MIN                             | BRASS<br>GOLD PL .00005 MIN OVER<br>NICKEL PL .00005 MIN OVER<br>COPPER PL .00005 MIN | TEFLON              | BERYLLIUM COPPER<br>UNPLATED | COPPER<br>NICKEL PL .0001 MIN OVER<br>COPPER PL .00005 MIN                             | TEFLON                   |

|  |                                     |
|--|-------------------------------------|
| DRAWING NO.<br>C - 142-0402-011/020  |                                     |
| 0 REVISIONS  |                                     |
| ENGINEERING RELEASE  |                                     |
| 1  | 7-29-97 R H A K J 7-30-97 ECN 44880 |
| CHANGED: STRIP DIMENSIONS .261±.010 AND .095±.010 WERE .249±.010 AND .086±.010 |                                     |
| 1a   | 10-15-97 R H A K J ECN 45066        |
| VERSION UPDATE   |                                     |
| * REVISION NUMBER FOLLOWED BY AN ALPHA *                                       |                                     |
| * CHARACTER INDICATES DRAWING CLARIFICATION *                                  |                                     |
| * CAUTION OR PART NUMBER ADDITION ONLY. *                                      |                                     |
| 1b   | 5-3-00 R H A K J ECN 47120          |



CABLE STRIP DIMENSIONS

8:1

NOTES:

1. SPECIFICATIONS:

IMPEDANCE: 50 OHMS  
 FREQUENCY RANGE: 0-12.4 GHz  
 VSWR: 1.20-.025 F MAX (F IN GHz)  
 WORKING VOLTAGE: 170 VRMS MAX AT SEA LEVEL  
 DIELECTRIC WITHSTANDING VOLTAGE: 500 VRMS MIN AT SEA LEVEL  
 INSULATION RESISTANCE: 5000 MEGOHM MIN  
 CONTACT RESISTANCE:  
 CENTER CONTACT - INITIAL 3.0 MILLIOHM MAX, AFTER ENVIRONMENTAL 4.0 MILLIOHM MAX  
 OUTER CONDUCTOR - INITIAL 2.0 MILLIOHM MAX AFTER ENVIRONMENTAL NOT APPLICABLE  
 BODY TO CABLE - 0.5 MILLIOHM MAX (GOLD PLATED) 5.0 MILLIOHM MAX (NICKEL PLATED)  
 CORONA LEVEL: 125 VOLTS MIN AT 70,000 FEET  
 INSERTION LOSS: .06/ F dB MAX (F IN GHz) AT 0-6 GHz  
 RF LEAKAGE: -60 DB MIN AT 2 TO 3 GHz  
 RF HIGH POTENTIAL WITHSTANDING VOLTAGE: 335 VRMS MIN AT 5 MHz

MECHANICAL:

ENGAGE/DISENGAGE TORQUE: 2 INCH-POUNDS MAX  
 MATING TORQUE: 7-10 INCH-POUNDS  
 COUPLING PROOF TORQUE: 15 INCH-POUNDS MIN  
 COUPLING NUT RETENTION: 6D LBS MIN  
 CONTACT RETENTION: 6 LBS MIN  
 CABLE ACCEPTABILITY: RG 17B/U, RG 196/U  
 CABLE HEX CRIMP SIZE: .105  
 CABLE RETENTION: 10 LBS MIN AXIAL FORCE  
 DURABILITY: 500 CYCLES MIN

ENVIRONMENTAL:

(MEETS OR EXCEEDS THE APPLICABLE PARAGRAPH OF MIL-C-39012)  
 THERMAL SHOCK: MIL-STD-202, METHOD 107, CONDITION B, EXCEPT B5° C HIGH TEMP  
 OPERATING TEMPERATURE: -65° C TO 165° C  
 CORROSION: MIL-STD-202, METHOD 101, CONDITION B  
 SHOCK: MIL-STD-202, METHOD 213, CONDITION I  
 VIBRATION: ML-STD-202, METHOD 204, CONDITION D  
 MOISTURE RESISTANCE: MIL-STD-202, METHOD 106

CUSTOMER DRAWING

THIS DRAWING TO BE INTERPRETED PER ANSI Y 14.5M - 1982

"μSTATION"

COMPANY CONFIDENTIAL

|                                      |                    |                 |  |                                     |
|--------------------------------------|--------------------|-----------------|--|-------------------------------------|
| TOLERANCE UNLESS OTHERWISE SPECIFIED | DRAWN BY<br>TAK    | DATE<br>4-10-97 | JOHNSON<br>Cinch Connectivity Solutions<br>299 Johnson Ave. Ste. 100<br>Waukegan, MN 55293<br>1.800.247.8256 |                                     |
| DECIMALS _____ mm _____              | CHECKED BY         | DATE            | TITLE<br>PLUG ASSEMBLY,<br>STRAIGHT CABLED<br>SMA, RG 17B  |                                     |
| .XXX _____                           | APPROVED BY<br>RJB | DATE<br>7-29-97 | CODE NO.   | DRAWING NO.<br>C - 142-0402-011/020 |
| MATL _____                           | APPROVED BY        | DATE            | SCALE 10:1   | U/M INCH SHEET 2 OF 2               |
| FINISH _____                         | RELEASE DATE       | 7-30-97         |  |                                     |