



Chipsmall Limited consists of a professional team with an average of over 10 year of expertise in the distribution of electronic components. Based in Hongkong, we have already established firm and mutual-benefit business relationships with customers from,Europe,America and south Asia,supplying obsolete and hard-to-find components to meet their specific needs.

With the principle of “Quality Parts,Customers Priority,Honest Operation,and Considerate Service”,our business mainly focus on the distribution of electronic components. Line cards we deal with include Microchip,ALPS,ROHM,Xilinx,Pulse,ON,Everlight and Freescale. Main products comprise IC,Modules,Potentiometer,IC Socket,Relay,Connector.Our parts cover such applications as commercial,industrial, and automotives areas.

We are looking forward to setting up business relationship with you and hope to provide you with the best service and solution. Let us make a better world for our industry!



Contact us

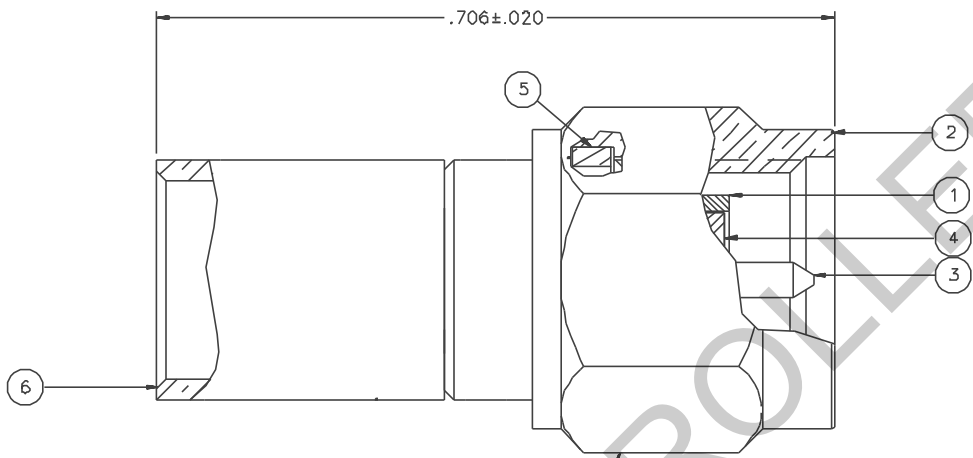
Tel: +86-755-8981 8866 Fax: +86-755-8427 6832

Email & Skype: info@chipsmall.com Web: www.chipsmall.com

Address: A1208, Overseas Decoration Building, #122 Zhenhua RD., Futian, Shenzhen, China



| PART NUMBER | ITEM ① BODY | ITEM ② NUT | ITEM ③ CONTACT | ITEM ④ INSULATOR | ITEM ⑤ RETENTION SPRING | ITEM ⑥ CRIMP SLEEVE |
|--------------|---|---|---|---------------------|------------------------------|--|
| 142-0407-011 | BRASS GOLD PL .00001 MIN OVER NICKEL PL .00005 MIN OVER COPPER PL .00005 MIN | BRASS GOLD PL .00001 MIN OVER NICKEL PL .00005 MIN OVER COPPER PL .00005 MIN | BRASS GOLD PL .00005 MIN OVER NICKEL PL .00005 MIN OVER COPPER PL .00005 MIN | TEFLON | BERYLLIUM COPPER UNPLATED | COPPER GOLD PL .00001 MIN OVER NICKEL PL .00005 MIN OVER COPPER PL .00005 MIN |
| 142-0407-012 | COPPER GOLD PL .00005 MIN OVER COPPER PL .00005 MIN | COPPER GOLD PL .00005 MIN OVER COPPER PL .00005 MIN | COPPER GOLD PL .00005 MIN OVER COPPER PL .00005 MIN | TEFLON | BERYLLIUM COPPER UNPLATED | COPPER GOLD PL .00005 MIN OVER COPPER PL .00005 MIN |
| 142-0407-013 | BRASS GOLD PL .00005 MIN OVER COPPER PL .00005 MIN | BRASS GOLD PL .00005 MIN OVER COPPER PL .00005 MIN | BRASS GOLD PL .00005 MIN OVER COPPER PL .00005 MIN | TEFLON | BERYLLIUM COPPER UNPLATED | COPPER GOLD PL .00005 MIN OVER COPPER PL .00005 MIN |
| 142-0407-014 | COPPER SILVER PL .00005 MIN OVER COPPER PL .000075 MIN | COPPER SILVER PL .00005 MIN OVER COPPER PL .000075 MIN | COPPER SILVER PL .00005 MIN OVER COPPER PL .000075 MIN | TEFLON | BERYLLIUM COPPER UNPLATED | COPPER SILVER PL .00005 MIN OVER COPPER PL .000075 MIN |
| 142-0407-015 | BRASS SILVER PL .00005 MIN OVER COPPER PL .000075 MIN | BRASS SILVER PL .00005 MIN OVER COPPER PL .000075 MIN | BRASS SILVER PL .00005 MIN OVER COPPER PL .000075 MIN | TEFLON | BERYLLIUM COPPER UNPLATED | COPPER SILVER PL .00005 MIN OVER COPPER PL .000075 MIN |
| 142-0407-016 | BRASS NICKEL PL .0001 MIN OVER COPPER PL .00005 MIN | BRASS NICKEL PL .0001 MIN OVER COPPER PL .00005 MIN | BRASS GOLD PL .00005 MIN OVER NICKEL PL .00005 MIN OVER COPPER PL .00005 MIN | TEFLON | BERYLLIUM COPPER UNPLATED | COPPER NICKEL PL .0001 MIN OVER COPPER PL .00005 MIN |



NOTES:

1. SPECIFICATIONS:

IMPEDANCE: 50 OHMS
 FREQUENCY RANGE: 0-12.4 GHz
 VSWR: 1.15-.01 F MAX (F IN GHz)
 WORKING VOLTAGE: 335 VRMS MAX AT SEA LEVEL
 DIELECTRIC WITHSTANDING VOLTAGE: 1000 VRMS MIN AT SEA LEVEL
 INSULATION RESISTANCE: 5000 MEGOHM MIN
 CONTACT RESISTANCE:
 CENTER CONTACT - INITIAL 3.0 MILLIOHM MAX, AFTER ENVIRONMENTAL 4.0 MILLIOHM MAX
 OUTER CONDUCTOR - INITIAL 2.0 MILLIOHM MAX
 AFTER ENVIRONMENTAL NOT APPLICABLE
 BODY TO CABLE - 0.5 MILLIOHM MAX (GOLD PLATED & SILVER PLATED)
 5.0 MILLIOHM MAX (NICKEL PLATED)
 CORONA LEVEL: 250 VOLTS MIN AT 70,000 FEET
 INSERTION LOSS: .06 / F MAX (F IN GHz) AT 6 GHz
 RF LEAKAGE: -60 DB MIN AT 2.5 GHz
 RF HIGH POTENTIAL WITHSTANDING VOLTAGE: 670 VRMS MIN AT 4 AND 7 MHZ

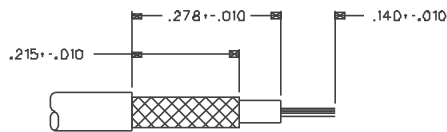
MECHANICAL:

ENGAGE/DISENGAGE TORQUE: 2 INCH-POUNDS MAX
 MATING TORQUE: 7-10 INCH POUNDS
 COUPLING PROOF TORQUE: 15 INCH-POUNDS MIN
 COUPLING NUT RETENTION: 60 LBS MIN
 CONTACT RETENTION: 6 LBS MIN AXIAL FORCE
 CABLE ACCEPTABILITY: RG 58/U, RG 141/U
 RG 303/U,
 CABLE HEX CRIMP SIZE: .213
 CONTACT CRIMP TOOL: P/N 144-0000-910 WITH POSTIONER 141-0000-007
 CABLE RETENTION: 40 LBS MIN AXIAL FORCE
 DURABILITY: 500 CYCLES MIN

ENVIRONMENTAL:

(MEETS OR EXCEEDS THE APPLICABLE PARAGRAPH OF MIL-C-39012)
 THERMAL SHOCK: MIL-STD-202, METHOD 107, CONDITION B,
 EXCEPT B5° C HIGH TEMP
 OPERATING TEMPERATURE: -65° C TO 165° C
 CORROSION: MIL-STD-202, METHOD 101, CONDITION B
 SHOCK: MIL-STD-202, METHOD 213, CONDITION I
 VIBRATION: ML-STD-202, METHOD 204, CONDITION D
 MOISTURE RESISTANCE: MIL-STD-202, METHOD 106

HEX .312 REF



CABLE STRIP DIMENSIONS

4:1

| | | | |
|---|---------|----------------------|-----------------------|
| DRAWING NO. | | C - 142-0407-011/020 | |
| 0 | | REVISIONS | |
| ENGINEERING RELEASE | | | |
| 1 | 6-15-92 | R H | 6-30-92 ECO 41115 |
| ADDED: P/N 142-0407-011 | | | |
| 2 | 7-19-93 | R H | 7-22-93 ECO 4195.3 |
| VERSION UPDATE | | | |
| 2d | 4-20-95 | R H | 6-1-95 ECN 43206 |
| ADDED: P/N 142-0407-012 | | | |
| 2b | 12-8-98 | R H | ECN 46D68 |
| CHANGED: 142-0407-012 AND -014 ITEMS 1, 2 AND 3 COPPER WAS | | | |
| 2c | 6-11-99 | R H | ECN 46404 |
| ADDED: P/N 142-0407-013 | | | |
| 2d | 2-22-00 | R H | 3-1-00 ECN 47002 |
| ADDED: P/N 142-0407-015 | | | |
| 2e | 3-30-00 | R H | 4-4-00 ECN 47046 |
| VERSION UPDATE | | | |
| 2f | 5-30-00 | R H | 6-2-00 ECN 47098 |
| ADDED: CRIMP TOOL P/N'S | | | |
| * REVISION NUMBER FOLLOWED BY AN ALPHA * | | | |
| * CHARACTER INDICATES DRAWING CLARIFICATION * | | | |
| * CAUTION ON PART NUMBER ADDITION ONLY. * | | | |
| 2g | 12-7-00 | R H | ECN 47445 |

CUSTOMER DRAWING

THIS DRAWING TO BE INTERPRETED PER ANSI Y 14.5M - 1982

"μSTATION"

COMPANY CONFIDENTIAL

| | | | | |
|--------------------------------------|--------------------|-----------------|---|-----------------------|
| TOLERANCE UNLESS OTHERWISE SPECIFIED | DRAWN BY TAK | DATE 2-26-92 | Cinch Connectivity Solutions 299 Johnson Ave. Ste. 100 Waukegan, MN 56093 1-800-247-8256 | |
| DECIMALS .XX | CHECKED BY | DATE | TITLE PLUG ASSEMBLY, STRAIGHT CABLED SMA, RG 58 | |
| .XXX | APPROVED BY TAK | DATE 6-25-92 | CODE NO. | DRAWING NO. |
| MATL | APPROVED BY RJB | DATE 6-26-92 | C - 142-0407-011/020 | |
| FINISH | RELEASE DATE | 6-30-92 | SCALE 10:1 | U/M INCH SHEET 2 OF 2 |