



Chipsmall Limited consists of a professional team with an average of over 10 year of expertise in the distribution of electronic components. Based in Hongkong, we have already established firm and mutual-benefit business relationships with customers from,Europe,America and south Asia,supplying obsolete and hard-to-find components to meet their specific needs.

With the principle of “Quality Parts,Customers Priority,Honest Operation,and Considerate Service”,our business mainly focus on the distribution of electronic components. Line cards we deal with include Microchip,ALPS,ROHM,Xilinx,Pulse,ON,Everlight and Freescale. Main products comprise IC,Modules,Potentiometer,IC Socket,Relay,Connector.Our parts cover such applications as commercial,industrial, and automotives areas.

We are looking forward to setting up business relationship with you and hope to provide you with the best service and solution. Let us make a better world for our industry!



## Contact us

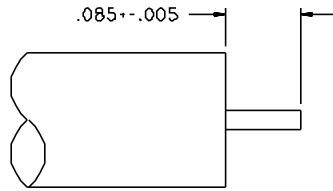
Tel: +86-755-8981 8866 Fax: +86-755-8427 6832

Email & Skype: info@chipsmall.com Web: www.chipsmall.com

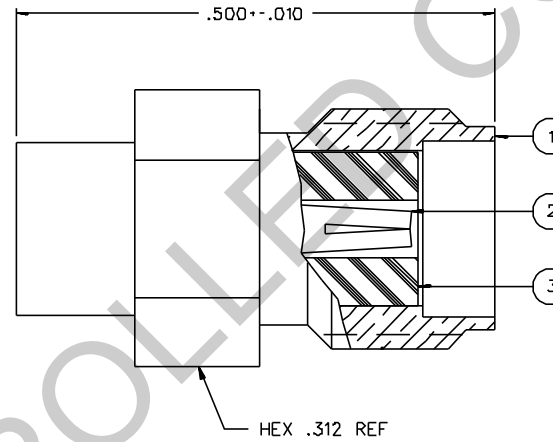
Address: A1208, Overseas Decoration Building, #122 Zhenhua RD., Futian, Shenzhen, China



PART NUMBER	ITEM ① BODY	ITEM ② CONTACT	ITEM ③ INSULATOR
142-0594-001	BRASS GOLD PL .00001 MIN OVER NICKEL PL .00005 MIN OVER COPPER PL .00005 MIN	BERYLLIUM COPPER GOLD PL .00003 MIN OVER NICKEL PL .00005 MIN OVER COPPER PL .00005 MIN	TEFLON
142-0594-006	BRASS NICKEL PL .0001 MIN OVER COPPER PL .00005 MIN	BERYLLIUM COPPER GOLD PL .00003 MIN OVER NICKEL PL .00005 MIN OVER COPPER PL .00005 MIN	TEFLON



CABLE STRIP DIMENSIONS



NOTES:

1. SPECIFICATIONS:

IMPEDANCE: 50 OHMS  
 FREQUENCY RANGE: 0-18.0 GHZ  
 VSWR: 1.05:0DBF MAX (IF IN GHZ)  
 WORKING VOLTAGE: 500 VRMS MAX AT SEA LEVEL  
 DIELECTRIC WITHSTANDING VOLTAGE: 1500 VRMS MIN AT SEA LEVEL  
 INSULATION RESISTANCE: 5000 MEGOHM MIN  
 CONTACT RESISTANCE:  
 CENTER CONTACT - INITIAL 3.0 MILLIOHM MAX, AFTER ENVIRONMENTAL 4.0 MILLIOHM MAX  
 OUTER CONDUCTOR - INITIAL 2.0 MILLIOHM MAX AFTER ENVIRONMENTAL NOT APPLICABLE  
 BODY TO CABLE - 0.5 MILLIOHM MAX  
 CORONA LEVEL: 375 VOLTS MIN AT 70,000 FEET  
 INSERTION LOSS:  $\sqrt{0.3}$  (IF IN GHZ) AT 10 GHZ  
 RF LEAKAGE: -90 DB MIN AT 2 TO 3 GHZ  
 RF HIGH POTENTIAL WITHSTANDING VOLTAGE: 1000 VRMS MIN AT 5 TO 7.5 MHZ

MECHANICAL:

ENGAGE/DISENGAGE TORQUE: 2 INCH-POUNDS MAX  
 MATING TORQUE: 7-10 INCH POUNDS  
 COUPLING PROOF TORQUE: NOT APPLICABLE  
 COUPLING NUT RETENTION: NOT APPLICABLE  
 CONTACT RETENTION: NOT APPLICABLE  
 CABLE ACCEPTABILITY: RG 402 DIA .141 SEMIRIGID  
 CABLE HEX CRIMP SIZE: NOT APPLICABLE  
 CABLE RETENTION: 60 LBS MIN AXIAL FORCE  
 55 INCH-OUNCE MIN TORQUE  
 DURABILITY: 500 CYCLES MIN

ENVIRONMENTAL:

(MEETS OR EXCEEDS THE APPLICABLE PARAGRAPH OF MIL-PRF-39012)  
 THERMAL SHOCK: MIL-STD-202, METHOD 107, CONDITION B, EXCEPT 115° C HIGH TEMP  
 OPERATING TEMPERATURE: -65 DEG C TO 165 DEG C  
 CORROSION: MIL-STD-202, METHOD 101, CONDITION B  
 SHOCK: MIL-STD-202, METHOD 213, CONDITION I  
 VIBRATION: MIL-STD-202, METHOD 204, CONDITION D  
 MOISTURE RESISTANCE: MIL-STD-202, METHOD 106


DRAWING NO. C - 142-0594-001/010			
0 REVISIONS			
ENGINEERING RELEASE			
1	12-06-88	E J R B W	12-14-88 ECO 23717
VERSION UPDATE			
2	03-09-89	E J R B W	04-10-89 ECO 23882
ADDED: 115° C HIGH TEMP TO THERMAL SHOCK SPEC.			
3	06-08-90	E J R B W	7-3-90 ECO 24436
CHANGED: .085 ± .005 WAS .085 ± .015, 10 GHZ WAS 9 TO 12 GHZ. DELETED: .424 ± .D10 ADDED: HEX .312 REF			
4	11-18-90	R H B	11-26-90 ECO 24971
VERSION UPDATE			
5	9-6-91	D B	ECO 40499
UPDATED COMPANY LOGOS			
* REVISION NUMBER FOLLOWED BY AN ALPHA * * CHARACTER INDICATES DRAWING CLASS * * CATION OR PART NUMBER ADDITION ONLY *			
5a	5-2-02	R H B	5-24-02 ECN 48386

CUSTOMER DRAWING

THIS DRAWING TO BE INTERPRETED PER ANSI Y 14.5M - 1982

"μSTATION"

COMPANY CONFIDENTIAL

TOLERANCE UNLESS OTHERWISE SPECIFIED	DRAWN BY RER	DATE 2-19-87	 Cinch Connectivity Solutions 299 Johnson Ave. Ste. 100 Worces, MN 55093 1-800-247-8256	
DECIMALS .XX	CHECKED BY TAK	DATE 12-7-88	TITLE JACK ASSEMBLY, STR CABLED, SMA, RG 402	
.XXX	APPROVED BY RJB	DATE 12-7-88	CODE NO. C - 142-0594-001/010	DRAWING NO. C - 142-0594-001/010
MATL	RELEASE DATE 12-14-88	SCALE 10:1	U/M INCH	SHEET 2 OF 2
FINISH				