



Chipsmall Limited consists of a professional team with an average of over 10 year of expertise in the distribution of electronic components. Based in Hongkong, we have already established firm and mutual-benefit business relationships with customers from,Europe,America and south Asia,supplying obsolete and hard-to-find components to meet their specific needs.

With the principle of “Quality Parts,Customers Priority,Honest Operation,and Considerate Service”,our business mainly focus on the distribution of electronic components. Line cards we deal with include Microchip,ALPS,ROHM,Xilinx,Pulse,ON,Everlight and Freescale. Main products comprise IC,Modules,Potentiometer,IC Socket,Relay,Connector.Our parts cover such applications as commercial,industrial, and automotives areas.

We are looking forward to setting up business relationship with you and hope to provide you with the best service and solution. Let us make a better world for our industry!



Contact us

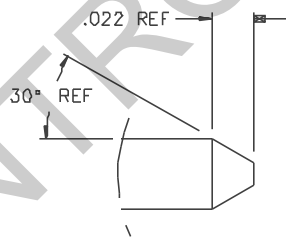
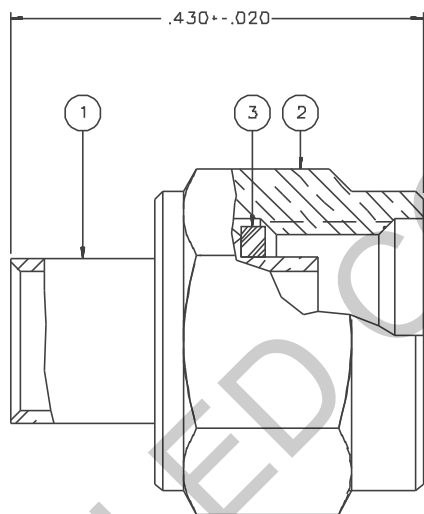
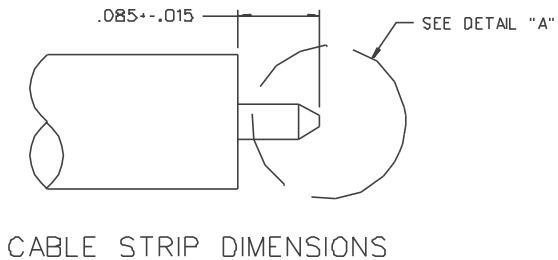
Tel: +86-755-8981 8866 Fax: +86-755-8427 6832

Email & Skype: info@chipsmall.com Web: www.chipsmall.com

Address: A1208, Overseas Decoration Building, #122 Zhenhua RD., Futian, Shenzhen, China



PART NUMBER	ITEM ① BODY	ITEM ② NUT	ITEM ③ GASKET
142-0694-011	BRASS GOLD PL .00001 MIN OVER NICKEL PL .00005 MIN OVER COPPER PL .00005 MIN	BRASS GOLD PL .00001 MIN OVER NICKEL PL .00005 MIN OVER COPPER PL .00005 MIN	NONE
142-0694-013	BRASS GOLD PL .00001 MIN OVER NICKEL PL .00005 MIN OVER COPPER PL .00005 MIN	BRASS GOLD PL .00001 MIN OVER NICKEL PL .00005 MIN OVER COPPER PL .00005 MIN	SILICONE RUBBER
142-0694-016	BRASS NICKEL PL .0001 MIN OVER COPPER PL .00005 MIN	BRASS NICKEL PL .0001 MIN OVER COPPER PL .00005 MIN	NONE
142-0694-017	BRASS NICKEL PL .0001 MIN OVER COPPER PL .00005 MIN	BRASS NICKEL PL .0001 MIN OVER COPPER PL .00005 MIN	SILICONE RUBBER



DETAIL "A"
20:1

NOTES:

1. SPECIFICATIONS:

IMPEDANCE: 50 OHMS
FREQUENCY RANGE: 0-18 GHZ
VSWR: 1.035+.005F MAX (F IN GHZ)

WORKING VOLTAGE: 335 VRMS MAX AT SEA LEVEL
DIELECTRIC WITHSTANDING VOLTAGE: NOT APPLICABLE
INSULATION RESISTANCE: NOT APPLICABLE
CONTACT RESISTANCE:

CENTER CONTACT - INITIAL NOT APPLICABLE
AFTER ENVIRONMENTAL NOT APPLICABLE
OUTER CONDUCTOR - INITIAL 2.0 MILLIOHM MAX
AFTER ENVIRONMENTAL NOT APPLICABLE

BODY TO CABLE - 0.5 MILLIOHM MAX
CORONA LEVEL: 250 VOLTS MIN AT 70,000 FEET
INSERTION LOSS: .03 ✓ F MAX (F IN GHZ) AT 15.5 TO 18 GHZ
RF LEAKAGE: -60 DB MIN AT 2 TO 3 GHZ
RF HIGH POTENTIAL WITHSTANDING VOLTAGE: 670 VRMS MIN AT 5 TO 7.5 MHZ

MECHANICAL:

ENGAGE/DISENGAGE TORQUE: 2 INCH-POUNDS MAX
MATING TORQUE: 7-10 INCH POUNDS
COUPLING PROOF TORQUE: 15 INCH-POUNDS MIN
COUPLING NUT RETENTION: 6D LBS. MIN
CONTACT RETENTION: NOT APPLICABLE
CABLE ACCEPTABILITY: RG 402, DIA .141 SEMIRIGID
CABLE HEX CRIMP SIZE: NOT APPLICABLE
CABLE RETENTION: 6D LBS MIN AXIAL FORCE
55 INCH-OUNCE MIN TORQUE
DURABILITY: 100 CYCLES MIN

ENVIRONMENTAL:

(MEETS OR EXCEEDS THE APPLICABLE PARAGRAPH OF MIL-C-39012)
THERMAL SHOCK: MIL-STD-202, METHOD 107, CONDITION B, EXCEPT 115 DEG C HIGH TEMP
OPERATING TEMPERATURE: -65 DEG C TO 165 DEG C
CORROSION: MIL-STD-202, METHOD 101, CONDITION B
SHOCK: MIL-STD-202, METHOD 213, CONDITION I
VIBRATION: MIL-STD-202, METHOD 204, CONDITION D
MOISTURE RESISTANCE: MIL-STD-202, METHOD 106

DRAWING NO. C - 142-0694-011/020	
0	REVISIONS
ENGINEERING RELEASE	
01	11-22-88 [E] [R] [A] [W] 12-01-88 ECO 23720 ADDED: .430+-.020, .321+-.010.
02	04-10-89 [E] [R] [A] [W] 4-12-89 ECO 23943 CHANGED: 335 VRMS WAS 500 VRMS 250 VOLTS WAS 375 VOLTS, -60 DB WAS -90 DB, 870 VRMS WAS 1000 VRMS, 100 CYCLES WAS 500 CYCLES. ADDED: "AT 15.5 TO 18 GHZ", "60 LBS MIN", "EXCEPT 115 DEG C HIGH TEMP", "MOISTURE RESISTANCE: MIL-STD-202, METHOD 106" DELETED: .321+-.010
03	11-19-90 [R] [H] [B] [A] 11-26-90 ECO 24975 ADDED: P/N'S 142-0694-013 AND 142-0694-017, ITEM 3 ***** * REVISION NUMBER FOLLOWED BY AN ALPHA * * CHARACTER INDICATES DRAWING CLASS * * GATION OR PART NUMBER ADDITION ONLY * *****
30	10-21-99 [R] [H] [B] [A] 10-21-99 ECN 46782

CUSTOMER DRAWING

THIS DRAWING TO BE INTERPRETED
PER ANS Y 14.5M - 1982

"μSTATION"

COMPANY CONFIDENTIAL

TOLERANCE UNLESS OTHERWISE SPECIFIED	DRAWN BY EJ	DATE 3-10-87	JOHNSON® Cinch Connectivity Solutions 299 Johnson Ave. Ste. 100 Waukegan, IL 60095 1-800-247-8256	
DECIMALS .XX	CHECKED BY	DATE	TITLE PLUG ASSEMBLY, STRAIGHT CABLED THREAD ON NUT SMA, RG 402	
.XXX	APPROVED BY TAK	DATE 11-22-88	CODE NO.	DRAWING NO. C - 142-0694-011/020
MATL	APPROVED BY RJB	DATE 11-28-88	SCALE 10:1	U/W INCH SHEET 2 OF 2
FINISH	RELEASE DATE	12-1-88		