



Chipsmall Limited consists of a professional team with an average of over 10 year of expertise in the distribution of electronic components. Based in Hongkong, we have already established firm and mutual-benefit business relationships with customers from,Europe,America and south Asia,supplying obsolete and hard-to-find components to meet their specific needs.

With the principle of “Quality Parts,Customers Priority,Honest Operation,and Considerate Service”,our business mainly focus on the distribution of electronic components. Line cards we deal with include Microchip,ALPS,ROHM,Xilinx,Pulse,ON,Everlight and Freescale. Main products comprise IC,Modules,Potentiometer,IC Socket,Relay,Connector.Our parts cover such applications as commercial,industrial, and automotives areas.

We are looking forward to setting up business relationship with you and hope to provide you with the best service and solution. Let us make a better world for our industry!



Contact us

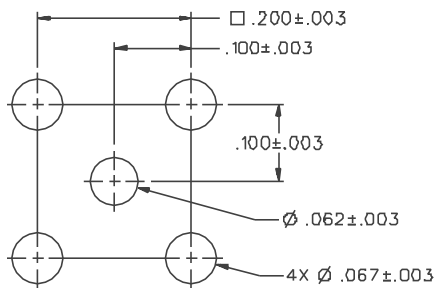
Tel: +86-755-8981 8866 Fax: +86-755-8427 6832

Email & Skype: info@chipsmall.com Web: www.chipsmall.com

Address: A1208, Overseas Decoration Building, #122 Zhenhua RD., Futian, Shenzhen, China



PART NUMBER	ITEM ① BODY	ITEM ② BASE	ITEM ③ CONTACT (ONE PIECE)	ITEM ④ INSULATOR	ITEM ⑤ INSULATOR
142-0701-3D1	BRASS GOLD PL .00001 MIN OVER NICKEL PL .00005 MIN OVER COPPER PL .00005 MIN	BRASS GOLD PL .00001 MIN OVER NICKEL PL .00005 MIN OVER COPPER PL .00005 MIN	BERYLLIUM COPPER GOLD PL .00003 MIN OVER NICKEL PL .00005 MIN OVER COPPER PL .00005 MIN	TEFLON	TEFLON
142-0701-3D2	BRASS GOLD PL .00005 MIN OVER COPPER PL .00005 MIN	BRASS SILVER PL .00005 MIN OVER COPPER PL .00005 MIN	BERYLLIUM COPPER GOLD PL .00005 MIN OVER COPPER PL .00005 MIN	TEFLON	TEFLON
142-0701-3D4	BRASS SILVER PL .00005 MIN OVER COPPER PL .000075 MIN	BRASS SILVER PL .00005 MIN OVER COPPER PL .000075 MIN	BERYLLIUM COPPER SILVER PL .00005 MIN OVER COPPER PL .000075 MIN	TEFLON	TEFLON
142-0701-3D5	COPPER SILVER PL .00005 MIN OVER COPPER PL .000075 MIN	COPPER SILVER PL .00005 MIN OVER COPPER PL .000075 MIN	BERYLLIUM COPPER SILVER PL .00005 MIN OVER COPPER PL .000075 MIN	TEFLON	TEFLON
142-0701-3D6	BRASS NICKEL PL .0001 MIN OVER COPPER PL .00005 MIN	BRASS NICKEL PL .0001 MIN OVER COPPER PL .00005 MIN	BERYLLIUM COPPER GOLD PL .00003 MIN OVER NICKEL PL .00005 MIN OVER COPPER PL .00005 MIN	TEFLON	TEFLON
142-0701-3D7	BRASS NICKEL PL .0001 MIN OVER COPPER PL .00005 MIN	BRASS NICKEL PL .0001 MIN OVER COPPER PL .00005 MIN	BERYLLIUM COPPER GOLD PL .00003 MIN OVER NICKEL PL .00005 MIN OVER COPPER PL .00005 MIN	TEFLON	TEFLON
142-0701-3D8	BRASS NICKEL PL .0001 MIN OVER COPPER PL .00005 MIN	BRASS NICKEL PL .0001 MIN OVER COPPER PL .00005 MIN TIN/LEAD DIPPED TERMINALS	BERYLLIUM COPPER GOLD PL .00003 MIN OVER NICKEL PL .0001 MIN OVER COPPER PL .00005 MIN	TEFLON	TEFLON



MOUNTING HOLE LAYOUT

NOTES:

1. SPECIFICATIONS:

IMPEDANCE: 50 OHMS
 FREQUENCY RANGE: 0-18 GHz
 VSWR: NOT APPLICABLE
 WORKING VOLTAGE: 335 VRMS MAX AT SEA LEVEL
 DIELECTRIC WITHSTANDING VOLTAGE: 1000 VRMS MIN AT SEA LEVEL
 INSULATION RESISTANCE: 5000 MEGOHM MIN
 CONTACT RESISTANCE:
 CENTER CONTACT - INITIAL 3.0 MILLIOHM MAX, AFTER ENVIRONMENTAL 4.0 MILLIOHM MAX
 OUTER CONDUCTOR - INITIAL 2.0 MILLIOHM MAX AFTER ENVIRONMENTAL NOT APPLICABLE
 BRAID TO BODY - NOT APPLICABLE
 CORONA LEVEL: 250 VOLTS MIN AT 70,000 FEET
 INSERTION LOSS: NOT APPLICABLE
 RF LEAKAGE: NOT APPLICABLE
 RF HIGH POTENTIAL WITHSTANDING VOLTAGE: 670 VRMS AT 4 AND 7 MHZ MIN

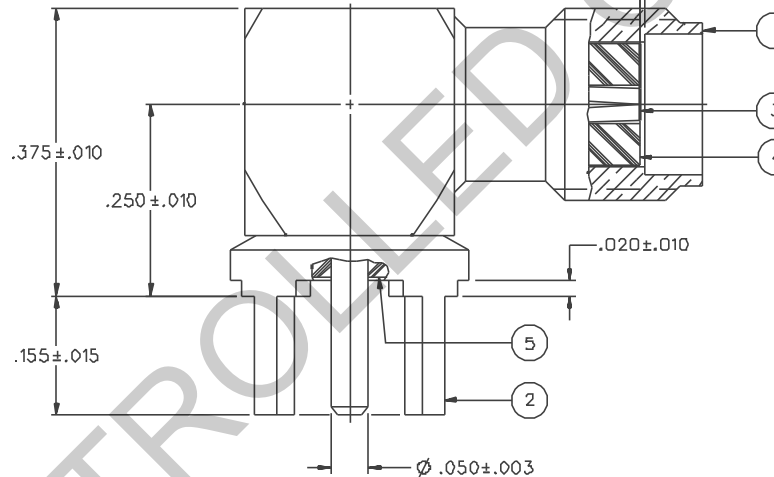
MECHANICAL:

ENGAGE/DISENGAGE TORQUE: 2 INCH-POUNDS MAX
 MATING TORQUE: 7-10 INCH POUNDS
 COUPLING PROOF TORQUE: 15 INCH-POUNDS MIN
 COUPLING NUT RETENTION: NOT APPLICABLE
 CONTACT RETENTION: 6 LBS MIN AXIAL FORCE
 CABLE ACCEPTABILITY: NOT APPLICABLE
 CABLE HEX CRIMP SIZE: NOT APPLICABLE
 CABLE RETENTION: NOT APPLICABLE
 DURABILITY: 500 CYCLES MIN

ENVIRONMENTAL:

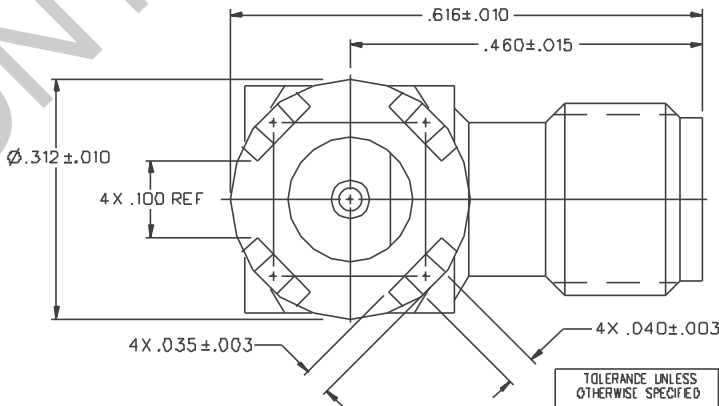
(MEETS OR EXCEEDS THE APPLICABLE PARAGRAPH OF MIL-C-39012)
 THERMAL SHOCK: MIL-STD-202, METHOD 107, CONDITION B
 OPERATING TEMPERATURE: -65 DEG C TO 165 DEG C
 CORROSION: MIL-STD-202, METHOD 101, CONDITION B
 SHOCK: MIL-STD-202, METHOD 213, CONDITION I
 VIBRATION: ML-STD-202, METHOD 204, CONDITION D

2. CONNECTOR MOUNTING LEADS AND CENTER CONTACT 60/40 TIN/LEAD DIPPED (SOLDER PLATE).



.000 MAX PROJECTION
 .015 MAX RECESSION
 INSULATOR TO BODY

.000 MAX PROJECTION
 .020 MAX RECESSION
 CONTACT TO BODY




DRAWING NO.		C - 142-0701-301/310	
0		REVISIONS	
REVISED AND REDRAWN. DRAWING WAS "D" SIZE DATED 9-22-88. CHANGED: P/N 142-0701-301/310 WAS 142-0701-301/32D. SPLIT INTO 2 SEPERATE DRAWINGS. ADDED: P/N 142-0701-307. NOTE 2			
9a	6-21-95	R H	6-30-95 ECN 43483
VERSION UPDATE			
9b	7-10-96	R H	7-16-96 ECN 44124
CHANGED: UPDATED GRAPHICS			
9c	9-21-97	R H	ECN 44927
CHANGED: UPDATED GRAPHICS			
9d	9-17-98	R H	ECN 45657
ADDED: .000 MAX PROJECTION .015 MAX RECESSION INSULATOR TO BODY			
9e	3-8-99	R H	ECN 46113
ADDED: P/N 142-0701-305			
* REVISION NUMBER FOLLOWED BY AN ALPHA * * CHARACTER INDICATES DRAWING CLARIF. * * CAUTION ON PART NUMBER ADDITION ONLY. *			
9f	2-17-00	R H	ECN 46454

CUSTOMER DRAWING

THIS DRAWING TO BE INTERPRETED PER ANSI Y14.5M - 1982

"μSTATION"

COMPANY CONFIDENTIAL

TOLERANCE UNLESS OTHERWISE SPECIFIED	DRAWN BY RSH	DATE 6-21-95	 <small>Cinch Connectivity Solutions 299 Johnson Ave. Ste. 100 Waseca, MN 56095 1-800-247-8256</small>	
DECIMALS _ .xxx mm	CHECKED BY	DATE	TITLE JACK ASSEMBLY, RA PC MOUNT SMA	
MATL	APPROVED BY RJB	DATE 6-28-95	CODE NO.	DRAWING NO.
FINISH	APPROVED BY	DATE	C - 142-0701-301/310	
	RELEASE DATE	6-30-95	SCALE 8:1	U/M INCH SHEET 2 OF 2