



Chipsmall Limited consists of a professional team with an average of over 10 year of expertise in the distribution of electronic components. Based in Hongkong, we have already established firm and mutual-benefit business relationships with customers from,Europe,America and south Asia,supplying obsolete and hard-to-find components to meet their specific needs.

With the principle of “Quality Parts,Customers Priority,Honest Operation,and Considerate Service”,our business mainly focus on the distribution of electronic components. Line cards we deal with include Microchip,ALPS,ROHM,Xilinx,Pulse,ON,Everlight and Freescale. Main products comprise IC,Modules,Potentiometer,IC Socket,Relay,Connector.Our parts cover such applications as commercial,industrial, and automotives areas.

We are looking forward to setting up business relationship with you and hope to provide you with the best service and solution. Let us make a better world for our industry!



Contact us

Tel: +86-755-8981 8866 Fax: +86-755-8427 6832

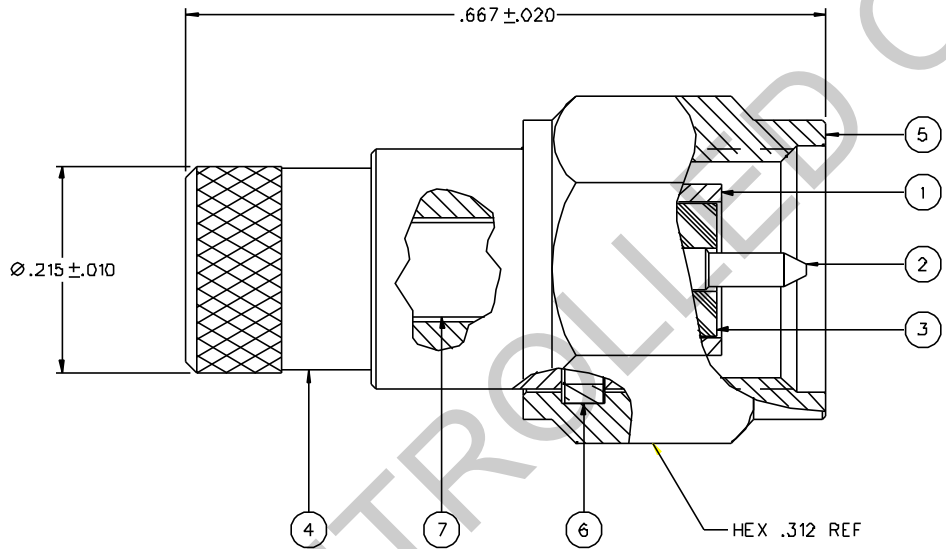
Email & Skype: info@chipsmall.com Web: www.chipsmall.com

Address: A1208, Overseas Decoration Building, #122 Zhenhua RD., Futian, Shenzhen, China



| PART NUMBER | ITEM ① BODY | ITEM ② CONTACT | ITEM ③ INSULATOR | ITEM ④ END CAP | ITEM ⑤ COUPLING NUT | ITEM ⑥ RETENTION SPRING | ITEM ⑦ RESISTOR |
|--------------|---|---|---------------------|--|---|------------------------------|--------------------|
| 142-0801-B61 | BRASS GOLD PL .00001 MIN OVER NICKEL PL .00005 MIN OVER COPPER PL .00005 MIN | BRASS GOLD PL .00005 MIN OVER NICKEL PL .00005 MIN OVER COPPER PL .00005 MIN | TEFLON | BERYLLIUM COPPER GOLD PL .00001 MIN OVER NICKEL PL .00005 MIN OVER COPPER PL .00005 MIN | BRASS GOLD PL .00001 MIN OVER NICKEL PL .00005 MIN OVER COPPER PL .00005 MIN | BERYLLIUM COPPER UNPLATED | 50 OHM +-1% |
| 142-0801-B66 | BRASS NICKEL PL .0001 MIN OVER COPPER PL .00005 MIN | BRASS GOLD PL .00005 MIN OVER NICKEL PL .00005 MIN OVER COPPER PL .00005 MIN | TEFLON | BERYLLIUM COPPER NICKEL PL .0001 MIN OVER COPPER PL .00005 MIN | BRASS NICKEL PL .0001 MIN OVER COPPER PL .00005 MIN | BERYLLIUM COPPER UNPLATED | 50 OHM +-1% |

| | |
|-------------------------------------|----------------------------|
| DRAWING NO. C - 142-0801-861/870 | |
| 0 | REVISIONS |
| ENGINEERING RELEASE | |
| 1 | 5-2-00 R H J R K ECN 47055 |



NOTES:

1. SPECIFICATIONS:

RESISTANCE: 50+-5% OHMS
 FREQUENCY RANGE: 0-2 GHz
 VSWR: NOT SPECIFIED
 MAXIMUM POWER: 0.5 WATT TO 25°C, DERATED TO 0.25 WATT AT -125°C

MECHANICAL:

ENGAGE/DISENGAGE TORQUE: 2 INCH-POUNDS MAX
 MATING TORQUE: 7-10 INCH POUNDS
 COUPLING PROOF TORQUE: 15 INCH-POUNDS MIN
 COUPLING NUT RETENTION: 60 LBS MIN
 CONTACT RETENTION: 4 LBS MIN AXIAL FORCE
 DURABILITY: 500 CYCLES MIN

ENVIRONMENTAL:

OPERATING TEMPERATURE: -65°C TO +125°C

CUSTOMER DRAWING

THIS DRAWING TO BE INTERPRETED
 PER ANSI Y 14.5M - 1982

"μSTATION"

COMPANY CONFIDENTIAL

| | | | | |
|--------------------------------------|----|--------------------|-----------------|---|
| TOLERANCE UNLESS OTHERWISE SPECIFIED | | DRAWN BY JRK | DATE 3-20-00 | Cinch Connectivity Solutions 299 Johnson Ave. Ste. 100 Waseca, MN 56093 1-800-247-8256 |
| DECIMALS .XX | mm | CHECKED BY JRK | DATE 5-3-00 | |
| .XXX+- .003 | | APPROVED BY RJB | DATE 5-3-00 | TITLE PLUG ASSEMBLY, DUMMY LOAD, 50 OHM SMA |
| MATL | | APPROVED BY | DATE | |
| FINISH | | RELEASE DATE | | CODE NO. DRAWING NO. C - 142-0801-861/870 |
| SCALE 10:1 U/M INCH | | | | SHEET 2 OF 2 |