

Chipsmall Limited consists of a professional team with an average of over 10 year of expertise in the distribution of electronic components. Based in Hongkong, we have already established firm and mutual-benefit business relationships with customers from,Europe,America and south Asia,supplying obsolete and hard-to-find components to meet their specific needs.

With the principle of “Quality Parts,Customers Priority,Honest Operation,and Considerate Service”,our business mainly focus on the distribution of electronic components. Line cards we deal with include Microchip,ALPS,ROHM,Xilinx,Pulse,ON,Everlight and Freescale. Main products comprise IC,Modules,Potentiometer,IC Socket,Relay,Connector.Our parts cover such applications as commercial,industrial, and automotives areas.

We are looking forward to setting up business relationship with you and hope to provide you with the best service and solution. Let us make a better world for our industry!



Contact us

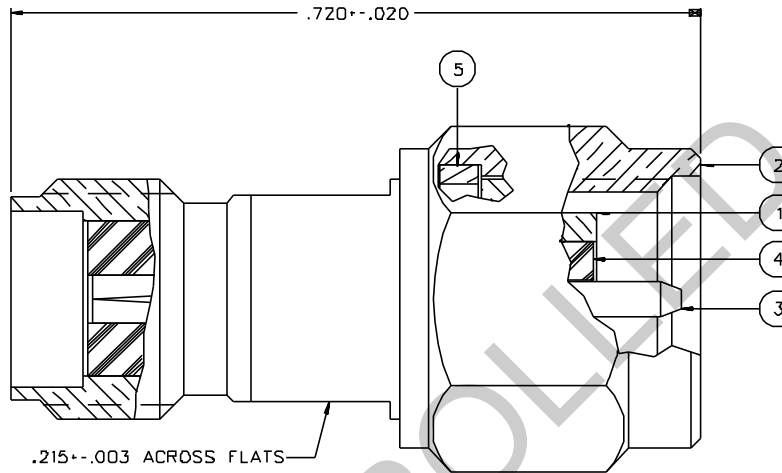
Tel: +86-755-8981 8866 Fax: +86-755-8427 6832

Email & Skype: info@chipsmall.com Web: www.chipsmall.com

Address: A1208, Overseas Decoration Building, #122 Zhenhua RD., Futian, Shenzhen, China

| PART NUMBER | ITEM ① BODY | ITEM ② NUT | ITEM ③ CONTACT | ITEM ④ INSULATOR | ITEM ⑤ RETENTION SPRING |
|---------------|---|---|--|---------------------|------------------------------|
| 14-2-0901-821 | BRASS GOLD PL .00001 MIN OVER NICKEL PL .00005 MIN OVER COPPER PL .00005 MIN | BRASS GOLD PL .00001 MIN OVER NICKEL PL .00005 MIN OVER COPPER PL .00005 MIN | BERYLLIUM COPPER GOLD PL .00003 MIN OVER NICKEL PL .00005 MIN OVER COPPER PL .00005 MIN | TEFLON | BERYLLIUM COPPER UNPLATED |
| 14-2-0901-826 | BRASS NICKEL PL .0001 MIN OVER COPPER PL .00005 MIN | BRASS NICKEL PL .0001 MIN OVER COPPER PL .00005 MIN | BERYLLIUM COPPER GOLD PL .00003 MIN OVER NICKEL PL .00005 MIN OVER COPPER PL .00005 MIN | TEFLON | BERYLLIUM COPPER UNPLATED |

| | |
|---|------------------------------------|
| DRAWING NO. C - 14-2-0901-821/830 | |
| 0 | REVISIONS |
| ENGINEERING RELEASE | |
| 01 | 08-29-89 E J A W B-31-90 ECO 24066 |
| CHANGED: VSWR WAS 1.05+.01F, 500 VRMS WAS 335 AND 1500 WAS 1000 .215-.003 WAS .215-.005 | |
| 2 | 2-21-91 R H A W 3-4-91 ECO 24690 |
| CHANGED: -90 WAS -60 RF LEAK, 2.5 GHz WAS 2 TO 3 GHz, RF HIGH POT 4 AND 7 MHz WAS 9 TO 7.5, ML-A-55339 WAS MIL-C-39012, THERMAL SHOCK CONDITION B WAS C | |
| 3 | 1-10-92 R H A W ECO 40761 |



NOTES:

1. SPECIFICATIONS:

IMPEDANCE: 50 OHMS
 FREQUENCY RANGE: 0-18 GHz
 VSWR: 1.05+.005 F MAX (F IN GHz)
 WORKING VOLTAGE: 500 VRMS MAX AT SEA LEVEL
 DIELECTRIC WITHSTANDING VOLTAGE: 1500 VRMS MIN AT SEA LEVEL
 INSULATION RESISTANCE: 5000 MEGOHM MIN
 CONTACT RESISTANCE:
 CENTER CONTACT - INITIAL 4.0 MILLIOHM MAX, AFTER ENVIRONMENTAL 6.0 MILLIOHM MAX
 OUTER CONDUCTOR - INITIAL 2.0 MILLIOHM MAX, AFTER ENVIRONMENTAL NOT APPLICABLE
 BRAID TO BODY - NOT APPLICABLE
 CORONA LEVEL: 375 VOLTS MIN AT 70,000 FEET
 INSERTION LOSS: .06 V/F MAX (F IN GHz) AT 6 GHz
 RF LEAKAGE: -90 DB MIN AT 2.5 GHz
 RF HIGH POTENTIAL WITHSTANDING VOLTAGE: 1000 VRMS MIN AT 4 AND 7 MHz

MECHANICAL:

ENGAGE/DISENGAGE TORQUE: 2 INCH-POUNDS MAX
 MATING TORQUE: 7-10 INCH POUNDS
 COUPLING PROOF TORQUE: 15 INCH-POUNDS MIN
 COUPLING NUT RETENTION: 60 LBS MIN
 CONTACT RETENTION: 4 LBS MIN AXIAL FORCE
 CABLE ACCEPTABILITY: NOT APPLICABLE
 CABLE HEX CRIMP SIZE: NOT APPLICABLE
 CABLE RETENTION: NOT APPLICABLE
 DURABILITY: 500 CYCLES MIN

ENVIRONMENTAL:

(MEETS OR EXCEEDS THE APPLICABLE PARAGRAPH OF MIL-A-55339)
 THERMAL SHOCK: MIL-STD-202, METHOD 107, CONDITION B
 OPERATING TEMPERATURE: -65 DEG C TO 165 DEG C
 CORROSION: MIL-STD-202, METHOD 101, CONDITION B
 SHOCK: MIL-STD-202, METHOD 213, CONDITION I
 VIBRATION: MIL-STD-202, METHOD 204, CONDITION D
 MOISTURE RESISTANCE: MIL-STD-202, METHOD 106

CUSTOMER DRAWING

THIS DRAWING TO BE INTERPRETED PER ANSI Y 14.5M - 1982

"μSTATION"

COMPANY CONFIDENTIAL

| | | | | |
|--------------------------------------|--------------------|-----------------|--|---|
| TOLERANCE UNLESS OTHERWISE SPECIFIED | DRAWN BY EJ | DATE 7-11-89 | <small>Clinch Connectivity Solutions 299 Johnson Ave. Ste. 100 Worces, MN 56093 1-800-247-8256</small> | |
| DECIMALS .XX | CHECKED BY | DATE | TITLE | ADAPTER ASSEMBLY, JACK - PLUG SMA |
| .XXX | APPROVED BY | DATE | CODE NO. | |
| MATL | APPROVED BY RJB | DATE 8-29-89 | DRAWING NO. C - 14-2-0901-821/830 | SCALE 10:1 U/W INCH SHEET 2 OF 2 |
| FINISH | RELEASE DATE | 8-31-89 | | |