

Chipsmall Limited consists of a professional team with an average of over 10 year of expertise in the distribution of electronic components. Based in Hongkong, we have already established firm and mutual-benefit business relationships with customers from,Europe,America and south Asia,supplying obsolete and hard-to-find components to meet their specific needs.

With the principle of “Quality Parts,Customers Priority,Honest Operation,and Considerate Service”,our business mainly focus on the distribution of electronic components. Line cards we deal with include Microchip,ALPS,ROHM,Xilinx,Pulse,ON,Everlight and Freescale. Main products comprise IC,Modules,Potentiometer,IC Socket,Relay,Connector.Our parts cover such applications as commercial,industrial, and automotives areas.

We are looking forward to setting up business relationship with you and hope to provide you with the best service and solution. Let us make a better world for our industry!



## Contact us

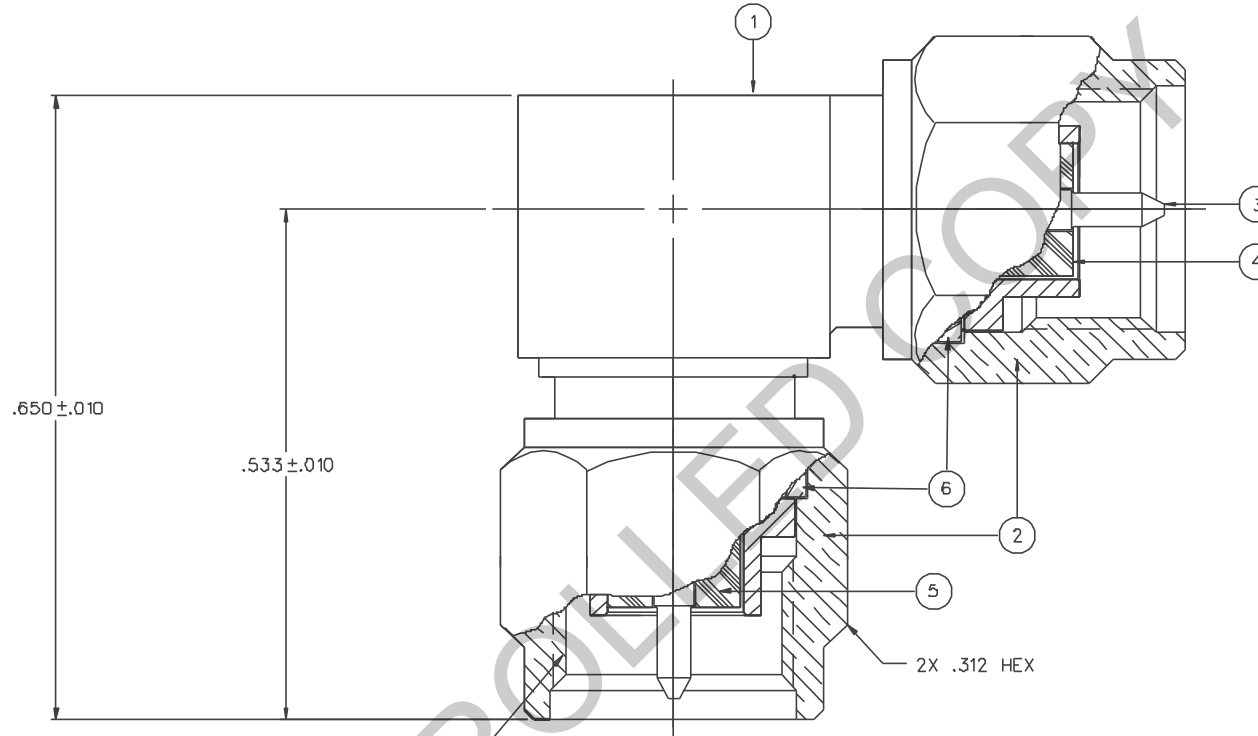
Tel: +86-755-8981 8866 Fax: +86-755-8427 6832

Email & Skype: [info@chipsmall.com](mailto:info@chipsmall.com) Web: [www.chipsmall.com](http://www.chipsmall.com)

Address: A1208, Overseas Decoration Building, #122 Zhenhua RD., Futian, Shenzhen, China

PART NUMBER 142-0901-931	ITEM ① BODY SUBASSEMBLY BRASS GOLD PL .00001 MIN OVER NICKEL PL .00005 MIN OVER COPPER PL .00005 MIN	ITEM ② NUT BRASS GOLD PL .00001 MIN OVER NICKEL PL .00005 MIN OVER COPPER PL .00005 MIN	ITEM ③ CONTACT - ONE PIECE BRASS GOLD PL .00005 MIN OVER NICKEL PL .00005 MIN OVER COPPER PL .00005 MIN	ITEM ④ INSULATOR TEFLON	ITEM ⑤ INSULATOR TEFLON	ITEM ⑥ RETENTION SPRING BERYLLIUM COPPER UNPLATED
-----------------------------	---	--	--	-------------------------------	-------------------------------	--

DRAWING NO. C - 142-0901-931/940
0 REVISIONS
ENGINEERING RELEASE
1 10-30-98 R H K T R E ECN 46002



NOTES:

1. SPECIFICATIONS:

IMPEDANCE: 50 OHMS  
 FREQUENCY RANGE: 0-14 GHZ  
 VSWR: 1.035-.02F (F IN GHZ)  
 WORKING VOLTAGE: 5DD VRMS MAX AT SEA LEVEL  
 DIELECTRIC WITHSTANDING VOLTAGE: 1500 VRMS MIN AT SEA LEVEL  
 INSULATION RESISTANCE: 5DDO MEGOHM MIN  
 CONTACT RESISTANCE:  
 CENTER CONTACT - INITIAL 4.0 MILLIOHM MAX, AFTER ENVIRONMENTAL 6.0 MILLIOHM MAX  
 OUTER CONDUCTOR - INITIAL 2.0 MILLIOHM MAX, AFTER ENVIRONMENTAL NOT APPLICABLE  
 BRAID TO BODY - NOT APPLICABLE  
 CORONA LEVEL: 375 VOLTS MIN AT 70,000 FEET  
 INSERTION LOSS: .06√F (F IN GHZ) AT 6 GHZ  
 RF LEAKAGE: NOT APPLICABLE  
 RF HIGH POTENTIAL WITHSTANDING VOLTAGE: 1DDO VRMS AT 4 AND 7 MHZ

MECHANICAL:

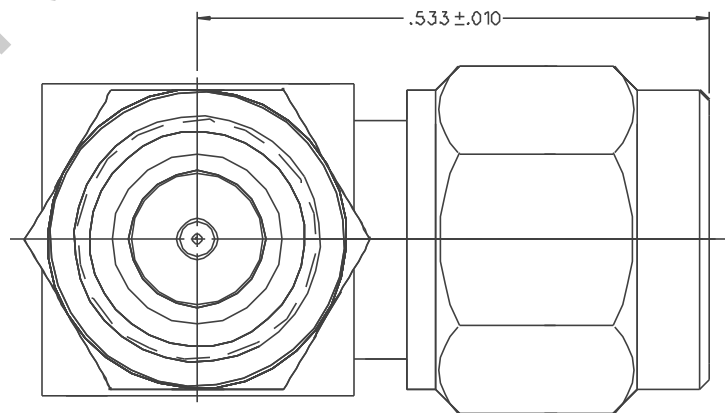
ENGAGE/DISENGAGE TORQUE: 2 INCH-POUNDS MAX  
 MATING TORQUE: 7-10 INCH POUNDS  
 COUPLING PROOF TORQUE: 15 IN-LB MIN  
 COUPLING NUT RETENTION: 60 LBS MIN  
 CONTACT RETENTION: 6 LBS MIN AXIAL FORCE  
 4 IN-OZ MIN RADIAL TORQUE

CABLE ACCEPTABILITY: NOT APPLICABLE  
 CABLE HEX CRIMP SIZE: NOT APPLICABLE  
 CABLE RETENTION: NOT APPLICABLE  
 DURABILITY: 500 CYCLES MIN

ENVIRONMENTAL:

(MEETS OR EXCEEDS THE APPLICABLE PARAGRAPH OF MIL-C-39D121)  
 THERMAL SHOCK: MIL-STD-202, METHOD 107, CONDITION B  
 OPERATING TEMPERATURE: -65 DEG C TO 165 DEG C  
 CORROSION: MIL-STD-202, METHOD 101, CONDITION B  
 SHOCK: MIL-STD-202, METHOD 213, CONDITION 1  
 VIBRATION: MIL-STD-202, METHOD 204, CONDITION D  
 MOISTURE RESISTANCE: MIL-STD-202, METHOD 106

2X 1/4-36 UNS-2B



CUSTOMER DRAWING

THIS DRAWING TO BE INTERPRETED PER ANSY 14.5M - 1982

"μSTATION"

COMPANY CONFIDENTIAL

TOLERANCE UNLESS OTHERWISE SPECIFIED	DRAWN BY KAS	DATE 12/22/97	 <small>Clinch Connectivity Solutions 299 Johnson Ave. Ste. 100 Worces, MN 56093 1-800-247-8256</small>
DECIMALS .XX	CHECKED BY KAS	DATE 11-5-98	
.XXX+--.003	APPROVED BY TAK	DATE 11-5-98	TITLE SMA RA IN SERIES PLUG-PLUG ADAPTER
MATL	APPROVED BY RJB	DATE 11-9-98	CODE NO.
FINISH	RELEASE DATE		DRAWING NO. C - 142-0901-931/940
SCALE 10:1 U/M INCH			SHEET 2 OF 2