



Chipsmall Limited consists of a professional team with an average of over 10 year of expertise in the distribution of electronic components. Based in Hongkong, we have already established firm and mutual-benefit business relationships with customers from,Europe,America and south Asia,supplying obsolete and hard-to-find components to meet their specific needs.

With the principle of “Quality Parts,Customers Priority,Honest Operation,and Considerate Service”,our business mainly focus on the distribution of electronic components. Line cards we deal with include Microchip,ALPS,ROHM,Xilinx,Pulse,ON,Everlight and Freescale. Main products comprise IC,Modules,Potentiometer,IC Socket,Relay,Connector.Our parts cover such applications as commercial,industrial, and automotives areas.

We are looking forward to setting up business relationship with you and hope to provide you with the best service and solution. Let us make a better world for our industry!



## Contact us

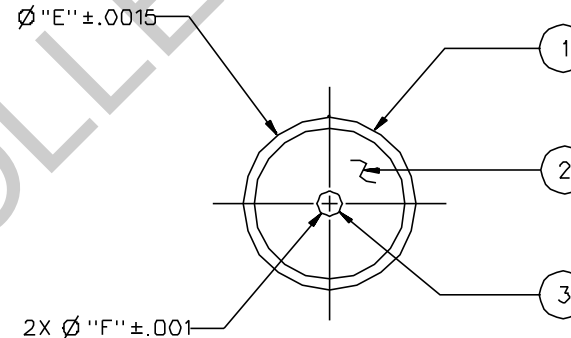
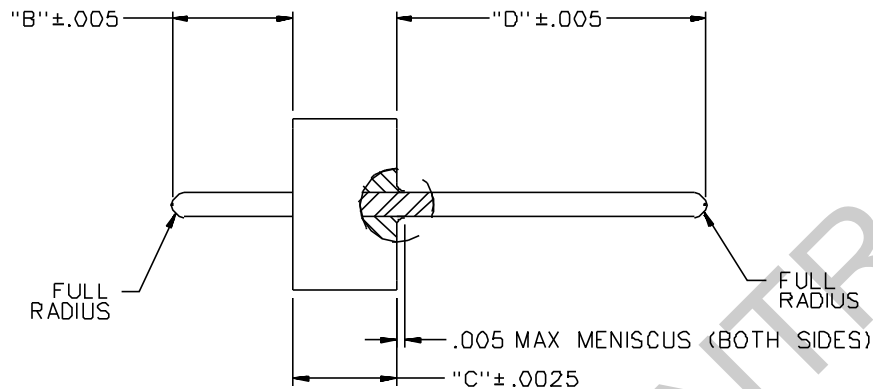
Tel: +86-755-8981 8866 Fax: +86-755-8427 6832

Email & Skype: info@chipsmall.com Web: www.chipsmall.com

Address: A1208, Overseas Decoration Building, #122 Zhenhua RD., Futian, Shenzhen, China



PART NUMBER	ITEM ① OUTER RING	ITEM ② INSULATOR	ITEM ③ PIN	"B"	"C"	"D"	"E"	"F"
142-1000-001	KOVAR GOLD PL .00005 MIN OVER NICKEL PL .000005 MIN	GLASS, CORNING 7052 OR EQUIVALENT	KOVAR GOLD PL .00005 MIN OVER NICKEL PL .000005 MIN	.070	.0625	.180	.0985	.012
142-1000-002	KOVAR GOLD PL .00005 MIN OVER NICKEL PL .000005 MIN	GLASS, CORNING 7070 OR EQUIVALENT	KOVAR GOLD PL .00005 MIN OVER NICKEL PL .000005 MIN	.072	.0625	.180	.0985	.015
142-1000-003	KOVAR GOLD PL .00005 MIN OVER NICKEL PL .000005 MIN	GLASS, CORNING 7070 OR EQUIVALENT	KOVAR GOLD PL .00005 MIN OVER NICKEL PL .000005 MIN	.072	.0600	.180	.1100	.018
142-1000-004	KOVAR GOLD PL .00005 MIN OVER NICKEL PL .000005 MIN	GLASS, CORNING 7052 OR EQUIVALENT	KOVAR GOLD PL .00005 MIN OVER NICKEL PL .000005 MIN	.070	.0600	.203	.1580	.020
142-1000-005	KOVAR GOLD PL .00005 MIN OVER NICKEL PL .000005 MIN	GLASS, CORNING 7070 OR EQUIVALENT	KOVAR GOLD PL .00005 MIN OVER NICKEL PL .000005 MIN	.097	.0600	.168	.1100	.018



NOTES:

1. SPECIFICATIONS:  
ELECTRICAL:

IMPEDANCE: 50 OHMS NOMINAL  
 FREQUENCY RANGE: DC TO 26.5 GHZ  
 VSWR: DEPENDANT ON APPLICATION  
 WORKING VOLTAGE: 250 VRMS MAX AT SEA LEVEL  
 DIELECTRIC WITHSTANDING VOLTAGE: 500 VRMS AT SEA LEVEL  
 INSULATION RESISTANCE: 5000 MEGOHM MIN  
 INSERTION LOSS: .015 F MAX (F IN GHZ)

ENVIRONMENTAL:

HERMETICITY:  $1 \times 10^{-8}$  cc/sec AT ONE ATMOSPHERE  
 SOLDERABILITY: MIL-STD-202, METHOD 209  
 OPERATING TEMPERATURE: -55 DEG C TO +165 DEG C


DRAWING NO.	
B - 142-1000-001/010	
0	REVISIONS
ENGINEERING RELEASE	
I	4-17-95 R J R H K R B ECN 43400
ADDED: 142-1000-005	
* REVISION NUMBER FOLLOWED BY AN ALPHA * * CHARACTER INDICATES DRAWING CLARIFICATION OR PART NUMBER ADDITION ONLY *	
Ia	3-4-02 R J B 3-13-02 ECN 48283

CUSTOMER DRAWING

THIS DRAWING TO BE INTERPRETED  
PER ANSI Y 14.5M - 1982

"μ STATION"

COMPANY CONFIDENTIAL

TOLERANCE UNLESS OTHERWISE SPECIFIED		DRAWN BY	DATE	 Cinch Connectivity Solutions 299 Johnson Ave. Ste. 100 Waseca, MN 56093 1-800-247-8256
DECIMALS	mm	JRK	4-3-95	
.XX		CHECKED BY	DATE	TITLE 50 OHM FEEDTHRU, HERMETIC SEAL, MICROWAVE PERFORMANCE
.XXX		JRK	4-17-95	
MATL		APPROVED BY	DATE	
		TAK	4-18-95	CODE NO. DRAWING NO. B - 142-1000-001/010
		APPROVED BY	DATE	
		RJB	4-19-95	SCALE NONE U/M INCH SHEET 2 OF 2
FINISH		RELEASE DATE	4-20-95	