



Chipsmall Limited consists of a professional team with an average of over 10 year of expertise in the distribution of electronic components. Based in Hongkong, we have already established firm and mutual-benefit business relationships with customers from,Europe,America and south Asia,supplying obsolete and hard-to-find components to meet their specific needs.

With the principle of “Quality Parts,Customers Priority,Honest Operation,and Considerate Service”,our business mainly focus on the distribution of electronic components. Line cards we deal with include Microchip,ALPS,ROHM,Xilinx,Pulse,ON,Everlight and Freescale. Main products comprise IC,Modules,Potentiometer,IC Socket,Relay,Connector.Our parts cover such applications as commercial,industrial, and automotives areas.

We are looking forward to setting up business relationship with you and hope to provide you with the best service and solution. Let us make a better world for our industry!



Contact us

Tel: +86-755-8981 8866 Fax: +86-755-8427 6832

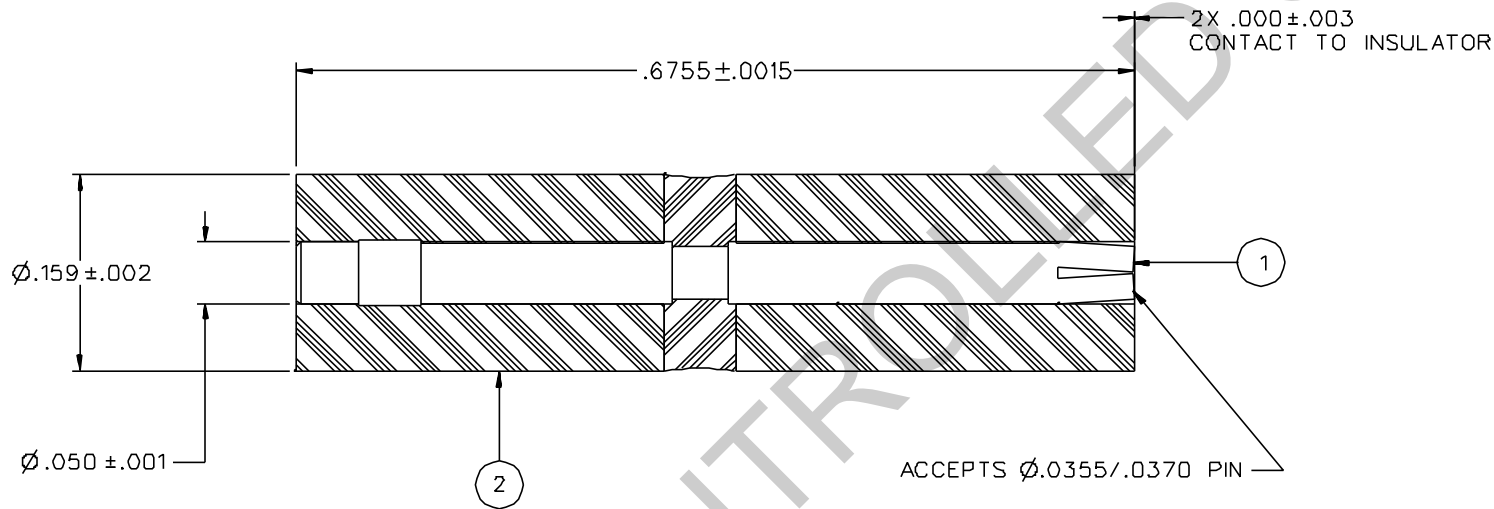
Email & Skype: info@chipsmall.com Web: www.chipsmall.com

Address: A1208, Overseas Decoration Building, #122 Zhenhua RD., Futian, Shenzhen, China



PART NUMBER	ITEM ① CONTACT	ITEM ② INSULATOR
142-1000-012	BERYLLIUM COPPER GOLD PL .00005 MIN OVER NICKEL PL .00005 MIN OVER COPPER PL .00005 MIN	TEFLON

DRAWING NO. B - 142-1000-012			
0 REVISIONS			
ENGINEERING RELEASE			
1	12-23-95	R J B H B A	1-5-96 ECN 43830
CHANGED: UPDATED GRAPHICS TO SHOW CONTACT CHANGE			
2	10-28-96	R J B H B A	11-4-96 ECN 44328
CHANGED: .6755 \pm .0015 WAS .700 \pm .003 UPDATED GRAPHICS			
3	10-27-97	R J B H B A	ECN 45110



CUSTOMER DRAWING

THIS DRAWING TO BE INTERPRETED PER ANSI Y 14.5M - 1982

" μ STATION"


COMPANY CONFIDENTIAL

NOTES:

1. SPECIFICATIONS:

IMPEDEDANCE: 50 OHMS NOMINAL
 FREQUENCY RANGE: DC TO 26.5 GHZ
 VSWR: DEPENDANT ON APPLICATION
 WORKING VOLTAGE: 335 VRMS MAX AT SEA LEVEL
 DIELECTRIC WITHSTANDING VOLTAGE: 1000 VRMS AT SEA LEVEL
 INSULATION RESISTANCE: 5000 MEGOHM MIN

CONTACT TO INSULATOR RETENTION: 6 LBS MIN
 OPERATING TEMPERATURE: -55 DEG C TO +165 DEG C

TOLERANCE UNLESS OTHERWISE SPECIFIED		DRAWN BY RJB	DATE 10-13-95	 Cinch Connectivity Solutions 299 Johnson Ave. Ste. 100 Waseca, MN 56093 1-800-247-8256
DECIMALS .XX	mm	CHECKED BY	DATE	
.XXX		APPROVED BY	DATE	TITLE ASSEMBLY, FEEDTHRU
MATL		APPROVED BY RJB	DATE 1-2-96	CODE NO.
FINISH		RELEASE DATE 1-5-96		DRAWING NO. B - 142-1000-012
		SCALE 10:1		U/M INCH
				SHEET 2 OF 2