



Chipsmall Limited consists of a professional team with an average of over 10 year of expertise in the distribution of electronic components. Based in Hongkong, we have already established firm and mutual-benefit business relationships with customers from,Europe,America and south Asia,supplying obsolete and hard-to-find components to meet their specific needs.

With the principle of “Quality Parts,Customers Priority,Honest Operation,and Considerate Service”,our business mainly focus on the distribution of electronic components. Line cards we deal with include Microchip,ALPS,ROHM,Xilinx,Pulse,ON,Everlight and Freescale. Main products comprise IC,Modules,Potentiometer,IC Socket,Relay,Connector.Our parts cover such applications as commercial,industrial, and automotives areas.

We are looking forward to setting up business relationship with you and hope to provide you with the best service and solution. Let us make a better world for our industry!



## Contact us

Tel: +86-755-8981 8866 Fax: +86-755-8427 6832

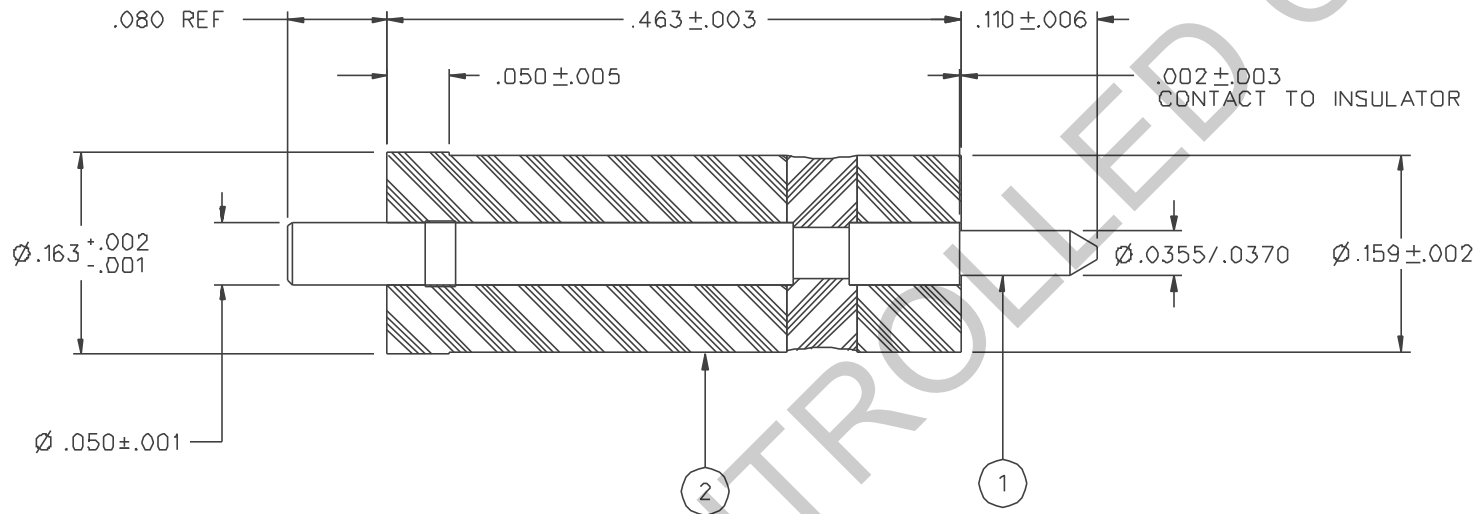
Email & Skype: info@chipsmall.com Web: www.chipsmall.com

Address: A1208, Overseas Decoration Building, #122 Zhenhua RD., Futian, Shenzhen, China



PART NUMBER 142-1000-018	ITEM ① CONTACT BRASS GOLD PL .00005 MIN OVER NICKEL PL .00005 MIN OVER COPPER PL .00005 MIN	ITEM ② INSULATOR TEFLON
-----------------------------	--	-------------------------------

DRAWING NO. B - 142-1000-018	
0	REVISIONS
ENGINEERING RELEASE	
1	9-27-97 R H J B A 10-3-97 ECN 45056
DELETED: .075+- .003 ADDED: .110+- .006	
2	12-5-97 R H J B A ECN 45221



CUSTOMER DRAWING

THIS DRAWING TO BE INTERPRETED  
PER ANSYI 14.5M - 1982

"μ STATION"


COMPANY CONFIDENTIAL

NOTES:

1. SPECIFICATIONS:

IMPEDEDANCE: 50 OHMS NOMINAL  
 FREQUENCY RANGE: DC TO 26.5 GHZ  
 VSWR: DEPENDANT ON APPLICATION  
 WORKING VOLTAGE: 335 VRMS MAX AT SEA LEVEL  
 DIELECTRIC WITHSTANDING VOLTAGE: 1000 VRMS AT SEA LEVEL  
 INSULATION RESISTANCE: 5000 MEGOHM MIN

CONTACT TO INSULATOR RETENTION: 6 LBS MIN  
 OPERATING TEMPERATURE: -55 DEG C TO +165 DEG C

TOLERANCE UNLESS OTHERWISE SPECIFIED		DRAWN BY RJB	DATE 9-10-97	 Cinch Connectivity Solutions 299 Johnson Ave. Ste. 100 Waseca, MN 56093 1-800-247-8256
DECIMALS .XX	mm	CHECKED BY	DATE	
.XXX		APPROVED BY RJB	DATE 9-29-97	TITLE ASSEMBLY, FEEDTHRU
MATL		APPROVED BY	DATE	CODE NO.
FINISH		RELEASE DATE	10-3-97	DRAWING NO. B - 142-1000-018
		SCALE 10:1	U/M INCH	SHEET 2 OF 2