



Chipsmall Limited consists of a professional team with an average of over 10 year of expertise in the distribution of electronic components. Based in Hongkong, we have already established firm and mutual-benefit business relationships with customers from,Europe,America and south Asia,supplying obsolete and hard-to-find components to meet their specific needs.

With the principle of “Quality Parts,Customers Priority,Honest Operation,and Considerate Service”,our business mainly focus on the distribution of electronic components. Line cards we deal with include Microchip,ALPS,ROHM,Xilinx,Pulse,ON,Everlight and Freescale. Main products comprise IC,Modules,Potentiometer,IC Socket,Relay,Connector.Our parts cover such applications as commercial,industrial, and automotives areas.

We are looking forward to setting up business relationship with you and hope to provide you with the best service and solution. Let us make a better world for our industry!



## Contact us

Tel: +86-755-8981 8866 Fax: +86-755-8427 6832

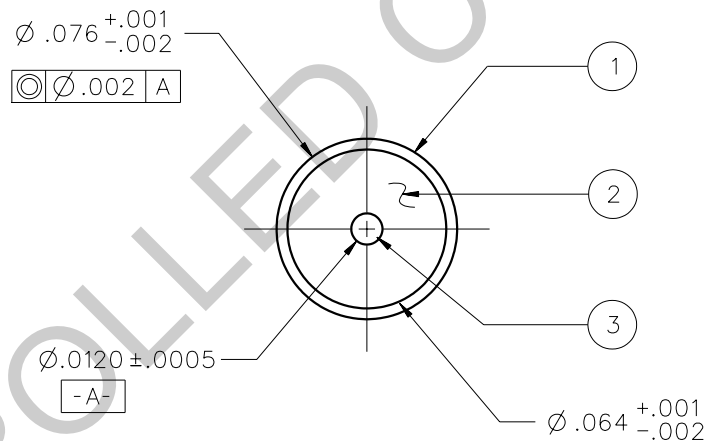
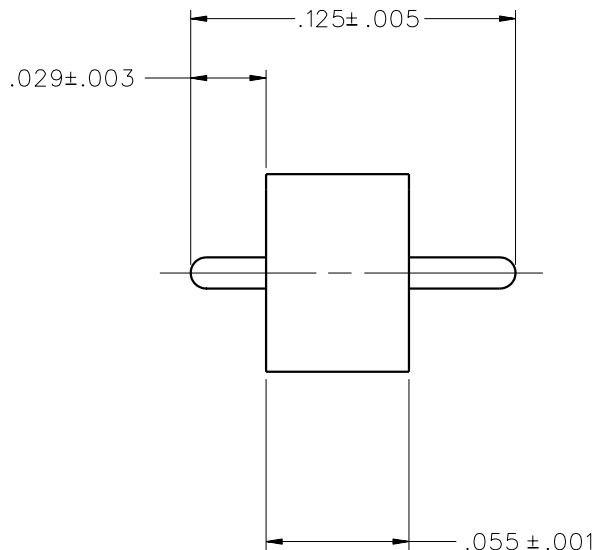
Email & Skype: info@chipsmall.com Web: www.chipsmall.com

Address: A1208, Overseas Decoration Building, #122 Zhenhua RD., Futian, Shenzhen, China



PART NUMBER 142-1000-033	ITEM ① OUTER RING KOVAR GOLD PL .00005 MIN OVER NICKEL PL .000005 MIN	ITEM ② INSULATOR GLASS, CORNING 7070	ITEM ③ PIN KOVAR GOLD PL .00005 MIN OVER NICKEL PL .000005 MIN
-----------------------------	---	---	--

DRAWING NO. B - 142-1000-033	
0	REVISIONS
ENGINEERING RELEASE	
1	4-15-03 R H G T A K R J B ECN 49021



NOTES:

1. SPECIFICATIONS:

ELECTRICAL:

IMPEDANCE: 50 OHMS NOMINAL  
 FREQUENCY RANGE: DC TO 40 GHZ  
 VSWR: DEPENDANT ON APPLICATION  
 WORKING VOLTAGE: 250 VRMS MAX AT SEA LEVEL  
 DIELECTRIC WITHSTANDING VOLTAGE: 500 VRMS AT SEA LEVEL  
 INSULATION RESISTANCE: 5000 MEGOHM MIN  
 INSERTION LOSS: 0.2dB MAX AT 40 GHZ

ENVIRONMENTAL:


HERMETICITY:  $1 \times 10^{-8}$  cc/sec AT ONE ATMOSPHERE  
 SOLDERABILITY: MIL-STD-202, METHOD 209  
 OPERATING TEMPERATURE: -55 DEG C TO +165 DEG C

CUSTOMER DRAWING

THIS DRAWING TO BE INTERPRETED  
 PER ANSI Y 14.5M - 1982

"μSTATION"

COMPANY CONFIDENTIAL

TOLERANCE UNLESS OTHERWISE SPECIFIED		DRAWN BY <b>RSH</b>	DATE 4-3-95	 Cinch Connectivity Solutions 299 Johnson Ave. Ste. 100 Waseca, MN 56093 1-800-247-8256	
DECIMALS .XX	mm	CHECKED BY	DATE	TITLE 50 OHM FEEDTHRU, HERMETIC SEAL, SMK (2.92mm)	
.XXX		APPROVED BY T.A.Kari	DATE 9-30-03		
MATL		APPROVED BY	DATE	CODE NO.	DRAWING NO.
FINISH		RELEASE DATE	9-30-03	B - 142-1000-033	
		SCALE NONE	U/M INCH	SHEET 2 OF 2	