



Chipsmall Limited consists of a professional team with an average of over 10 year of expertise in the distribution of electronic components. Based in Hongkong, we have already established firm and mutual-benefit business relationships with customers from,Europe,America and south Asia,supplying obsolete and hard-to-find components to meet their specific needs.

With the principle of “Quality Parts,Customers Priority,Honest Operation,and Considerate Service”,our business mainly focus on the distribution of electronic components. Line cards we deal with include Microchip,ALPS,ROHM,Xilinx,Pulse,ON,Everlight and Freescale. Main products comprise IC,Modules,Potentiometer,IC Socket,Relay,Connector.Our parts cover such applications as commercial,industrial, and automotives areas.

We are looking forward to setting up business relationship with you and hope to provide you with the best service and solution. Let us make a better world for our industry!



Contact us

Tel: +86-755-8981 8866 Fax: +86-755-8427 6832

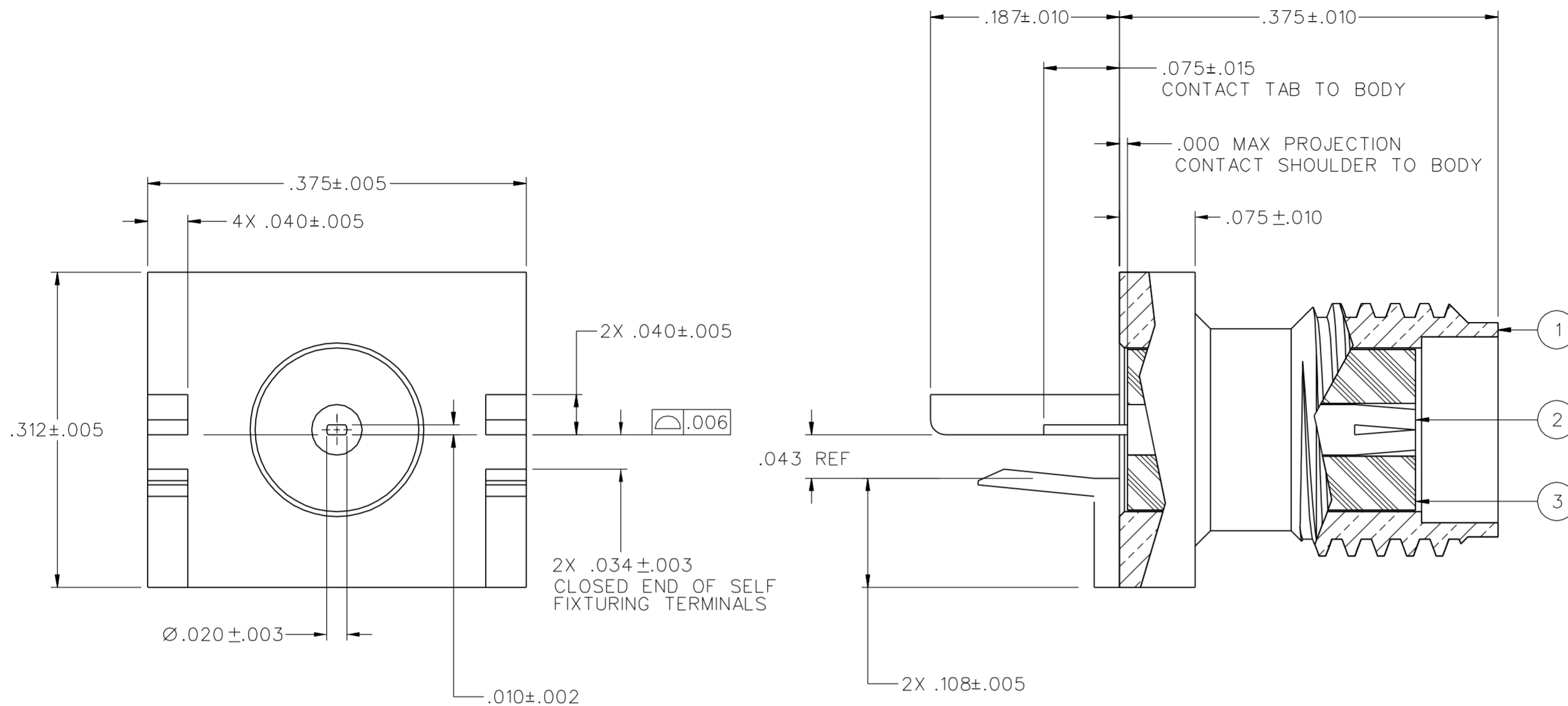
Email & Skype: info@chipsmall.com Web: www.chipsmall.com

Address: A1208, Overseas Decoration Building, #122 Zhenhua RD., Futian, Shenzhen, China



| | | | |
|-----------------------------|---------------------------------------------------------------------------------------------------------|-----------------------------------------------------------------------------------------------------------------------|-------------------------------|
| PART NUMBER 142-1701-871 | ITEM ① BODY BRASS GOLD PL .00001 MIN OVER NICKEL PL .00005 MIN OVER COPPER PL .00005 MIN | ITEM ② CONTACT BERYLLIUM COPPER GOLD PL .00003 MIN OVER NICKEL PL .00005 MIN OVER COPPER PL .00005 MIN | ITEM ③ INSULATOR TEFLON |
|-----------------------------|---------------------------------------------------------------------------------------------------------|-----------------------------------------------------------------------------------------------------------------------|-------------------------------|

| | |
|-------------------------------------|-----------------------------------------------------|
| DRAWING NO. C - 142-1701-871/880 | |
| 0 REVISIONS | |
| ENGINEERING RELEASE | |
| 1 | 3-15-10 C W W J D J B J U M J U 3-16-10 ECO 52200 |
| DELETED NOTE 2 | |
| 2 | 4-23-15 M S M L R J B J A R M J U 4-23-15 ECO 55625 |



NOTES:

1. SPECIFICATIONS:

ELECTRICAL:

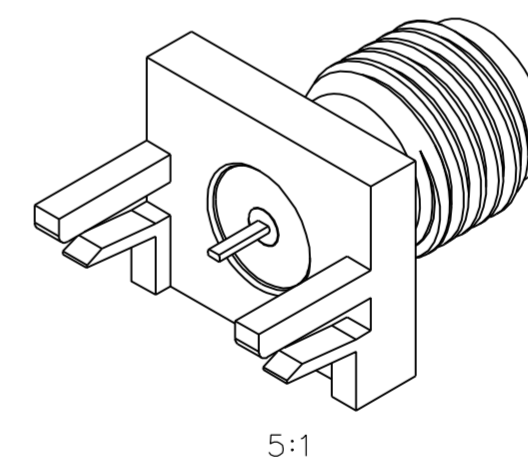
IMPEDANCE: 50 OHMS
 FREQUENCY RANGE: 0-18 GHz (10 GHz MAX TYPICAL CIRCUIT BOARD TRANSITION)
 VSWR: NOT APPLICABLE
 WORKING VOLTAGE: 335 VRMS MAX AT SEA LEVEL
 DIELECTRIC WITHSTANDING VOLTAGE: 1000 VRMS MIN AT SEA LEVEL
 INSULATION RESISTANCE: 5000 MEGOHMS MIN
 CONTACT RESISTANCE: CENTER CONTACT - INITIAL 3 MILLIOHMS MAX,
 AFTER ENVIRONMENTAL 4 MILLIOHMS MAX
 OUTER CONDUCTOR - INITIAL 2.0 MILLIOHMS MAX
 BRAID TO BODY - NOT APPLICABLE
 AFTER ENVIRONMENTAL - NOT APPLICABLE
 CORONA LEVEL: 250 VOLTS MIN AT 70,000 FEET
 INSERTION LOSS: NOT APPLICABLE
 RF LEAKAGE: NOT APPLICABLE
 RF HIGH POTENTIAL WITHSTANDING VOLTAGE: 670 VRMS MIN AT 4 AND 7 MHz

MECHANICAL:

ENGAGE/DISENGAGE TORQUE: 2 INCH POUNDS MAX
 MATING TORQUE: 7-10 INCH POUNDS
 COUPLING PROOF TORQUE: NOT APPLICABLE
 COUPLING NUT RETENTION: NOT APPLICABLE
 CONTACT RETENTION: 6 LBS MIN AXIAL FORCE
 4 OZ-IN MIN RADIAL TORQUE
 CABLE ACCEPTABILITY: NOT APPLICABLE
 CABLE RETENTION: NOT APPLICABLE
 DURABILITY: 500 CYCLES MIN

ENVIRONMENTAL:

(MEETS OR EXCEEDS THE APPLICABLE PARAGRAPH OF MIL-PRF-39012)
 THERMAL SHOCK: MIL-STD-202, METHOD 107, CONDITION B
 OPERATING TEMPERATURE: -65°C TO 165°C
 CORROSION: MIL-STD-202, METHOD 101, CONDITION B
 SHOCK: MIL-STD-202, METHOD 213, CONDITION I
 VIBRATION: MIL-STD-202, METHOD 204, CONDITION D
 MOISTURE RESISTANCE: MIL-STD-202, METHOD 106




CUSTOMER DRAWING

THIS DRAWING TO BE INTERPRETED
 PER ASME Y 14.5M - 1994

"μ STATION"

COMPANY CONFIDENTIAL

| | | | | | |
|--------------------------------------|-------|-------------------|-----------------|---------------------------------------------------------------------------------------------------------------------------------------------------------------------------|-------------------------------------------------------------------------------------------------|
| TOLERANCE UNLESS OTHERWISE SPECIFIED | | DRAWN BY RJB | DATE 3-11-10 |  cinch <small>CONNECTIVITY SOLUTIONS</small> <small>a bel group</small> | P.O. Box 1732 Waseca, MN 56093 1-800-247-8256 |
| DECIMALS | mm | CHECKED BY CWW | DATE 3-13-10 | | TITLE JACK ASSEMBLY, SELF FIXTURING END LAUNCH, TAB CONTACT, SMA, .039 BOARD THICKNESS |
| .XX | _____ | APPROVED BY | DATE | SHEET 2 OF 2 | DRAWING NO. C - 142-1701-871/880 |
| .XXX | _____ | RELEASE DATE | 3-16-10 | U/M | INCH |
| MATL | _____ | SCALE | 10:1 | | |
| FINISH | _____ | | | | |