



Chipsmall Limited consists of a professional team with an average of over 10 year of expertise in the distribution of electronic components. Based in Hongkong, we have already established firm and mutual-benefit business relationships with customers from,Europe,America and south Asia,supplying obsolete and hard-to-find components to meet their specific needs.

With the principle of “Quality Parts,Customers Priority,Honest Operation,and Considerate Service”,our business mainly focus on the distribution of electronic components. Line cards we deal with include Microchip,ALPS,ROHM,Xilinx,Pulse,ON,Everlight and Freescale. Main products comprise IC,Modules,Potentiometer,IC Socket,Relay,Connector.Our parts cover such applications as commercial,industrial, and automotives areas.

We are looking forward to setting up business relationship with you and hope to provide you with the best service and solution. Let us make a better world for our industry!



## Contact us

Tel: +86-755-8981 8866 Fax: +86-755-8427 6832

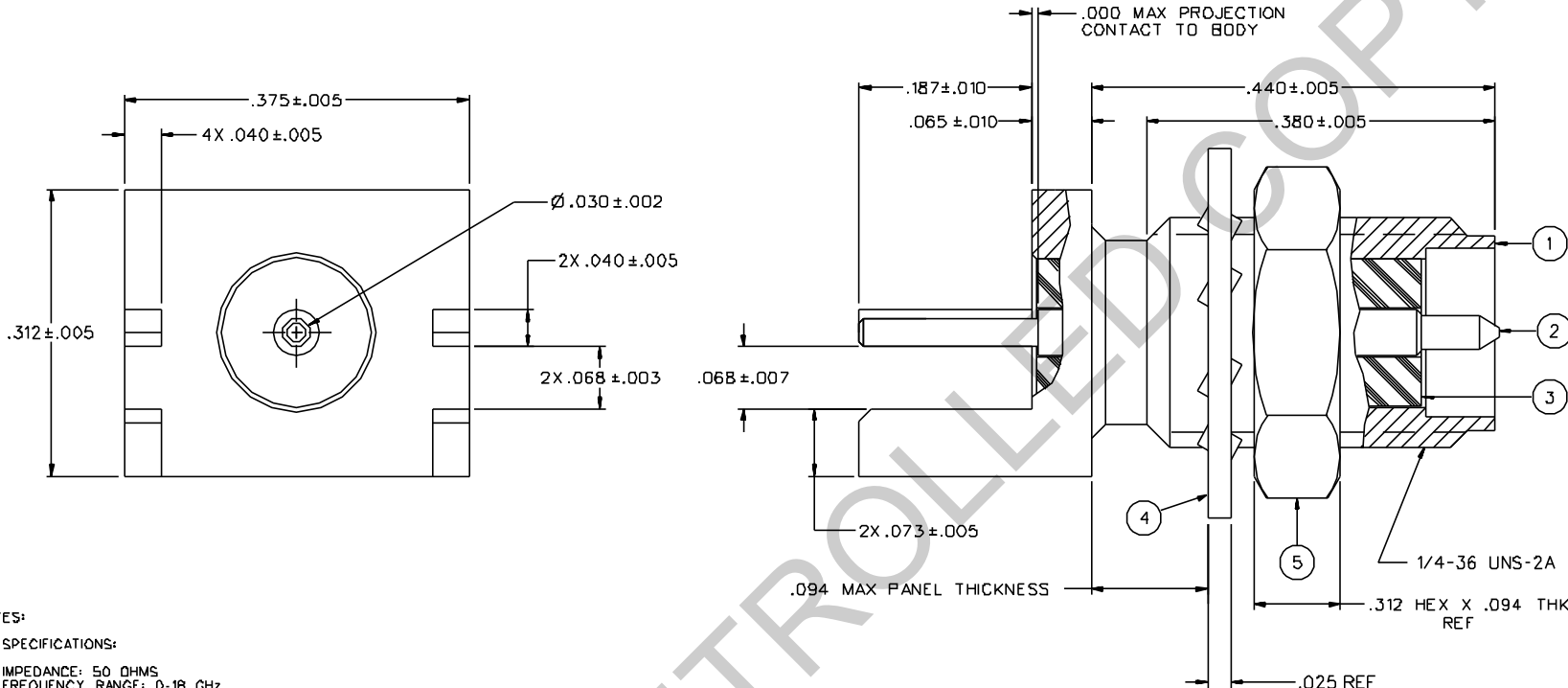
Email & Skype: info@chipsmall.com Web: www.chipsmall.com

Address: A1208, Overseas Decoration Building, #122 Zhenhua RD., Futian, Shenzhen, China



PART NUMBER	ITEM ① BODY	ITEM ② CONTACT	ITEM ③ INSULATOR	ITEM ④ LOCKWASHER	ITEM ⑤ NUT
142-4701-801	BRASS GOLD PL .00001 MIN OVER NICKEL PL .00005 MIN OVER COPPER PL .00005 MIN	BERYLLIUM COPPER GOLD PL .00005 MIN OVER NICKEL PL .00005 MIN OVER COPPER PL .00005 MIN	TEFLON	PHOSPHOR BRONZE GOLD PL .00001 MIN OVER NICKEL PL .00005 MIN OVER COPPER PL .00005 MIN	BRASS GOLD PL .00001 MIN OVER NICKEL PL .00005 MIN OVER COPPER PL .00005 MIN
142-4701-806	BRASS NICKEL PL .0001 MIN OVER COPPER PL .00005 MIN	BERYLLIUM COPPER GOLD PL .00003 MIN OVER NICKEL PL .00005 MIN OVER COPPER PL .00005 MIN	TEFLON	PHOSPHOR BRONZE NICKEL PL .0001 MIN OVER COPPER PL .00005 MIN OVER	BRASS NICKEL PL .0001 MIN OVER COPPER PL .00005 MIN OVER

DRAWING NO. C - 142-4701-801/810	
0	REVISIONS
ENGINEERING RELEASE	
1	11-12-98 R H S I T R ECN 45890
PHOSPHOR BRONZE WAS BRASS ADDED: .025 REF. LOCK ADDED: .312 HEX X .094 THK REF .094 WAS .125, UPDATED VIEWS	
2	6-5-01 ECN 48038



NOTES:  
1. SPECIFICATIONS:  
IMPEDANCE: 50 OHMS  
FREQUENCY RANGE: 0-18 GHz  
VSWR: NOT APPLICABLE  
WORKING VOLTAGE: 335 VRMS MAX AT SEA LEVEL  
DIELECTRIC WITHSTANDING VOLTAGE: 1000 VRMS MIN AT SEA LEVEL  
INSULATION RESISTANCE: 5000 MEGOHM MIN  
CONTACT RESISTANCE:  
CENTER CONTACT - INITIAL 3.0 MILLIOHM MAX, AFTER ENVIRONMENTAL 4.0 MILLIOHM MAX  
OUTER CONDUCTOR - INITIAL 2.0 MILLIOHM MAX AFTER ENVIRONMENTAL NOT APPLICABLE  
BRAID TO BODY - NOT APPLICABLE  
CORONA LEVEL: 250 VOLTS MIN AT 70,000 FEET  
INSERTION LOSS: NOT APPLICABLE  
RF LEAKAGE: NOT APPLICABLE  
RF HIGH POTENTIAL WITHSTANDING VOLTAGE: 670 VRMS MIN AT 4 AND 7 MHz

MECHANICAL:  
ENGAGE/DISENGAGE TORQUE: 2 INCH-POUNDS MAX  
MATING TORQUE: 7-10 INCH POUNDS  
COUPLING PROOF TORQUE: NOT APPLICABLE  
COUPLING NUT RETENTION: NOT APPLICABLE  
CONTACT RETENTION: 6 LBS MIN AXIAL FORCE  
4 IN-OZ MIN RADIAL TORQUE  
CABLE ACCEPTABILITY: NOT APPLICABLE  
CABLE HEX CRIMP SIZE: NOT APPLICABLE  
CABLE RETENTION: NOT APPLICABLE  
DURABILITY: 500 CYCLES MIN

ENVIRONMENTAL:  
(MEETS OR EXCEEDS THE APPLICABLE PARAGRAPH OF MIL-C-39012)  
THERMAL SHOCK: MIL-STD-202, METHOD 107, CONDITION B  
OPERATING TEMPERATURE: -65 DEG C TO 165 DEG C  
CORROSION: MIL-STD-202, METHOD 101, CONDITION B  
SHOCK: MIL-STD-202, METHOD 213, CONDITION 1  
VIBRATION: MIL-STD-202, METHOD 204, CONDITION D  
MOISTURE RESISTANCE: MIL-STD-202, METHOD 106

CUSTOMER DRAWING  
THIS DRAWING TO BE INTERPRETED PER ANSY 14.5M - 1982  
"μSTATION"  
COMPANY CONFIDENTIAL

TOLERANCE UNLESS OTHERWISE SPECIFIED	DRAWN BY <b>RSH</b>	DATE 11-12-98	 Cinch Connectivity Solutions 299 Johnson Ave. Ste. 100 Worcester, MA 01603 1-800-247-8256
DECIMALS _____ mm _____	CHECKED BY SWC	DATE 11-13-98	
.XXX _____	APPROVED BY TAK	DATE 12-7-98	TITLE JACK ASSEMBLY END LAUNCH SMA, REVERSE POLARITY
MATL _____	APPROVED BY RJE	DATE 12-14-98	CODE NO.
FINISH _____	RELEASE DATE 1-5-99		DRAWING NO. C - 142-4701-801/810
		SCALE 10:1	U/N INCH SHEET 2 OF 2