



Chipsmall Limited consists of a professional team with an average of over 10 year of expertise in the distribution of electronic components. Based in Hongkong, we have already established firm and mutual-benefit business relationships with customers from,Europe,America and south Asia,supplying obsolete and hard-to-find components to meet their specific needs.

With the principle of “Quality Parts,Customers Priority,Honest Operation,and Considerate Service”,our business mainly focus on the distribution of electronic components. Line cards we deal with include Microchip,ALPS,ROHM,Xilinx,Pulse,ON,Everlight and Freescale. Main products comprise IC,Modules,Potentiometer,IC Socket,Relay,Connector.Our parts cover such applications as commercial,industrial, and automotives areas.

We are looking forward to setting up business relationship with you and hope to provide you with the best service and solution. Let us make a better world for our industry!



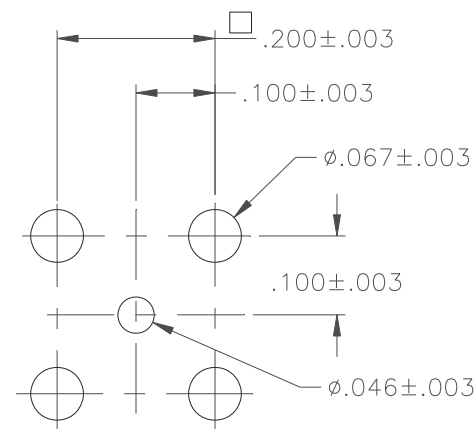
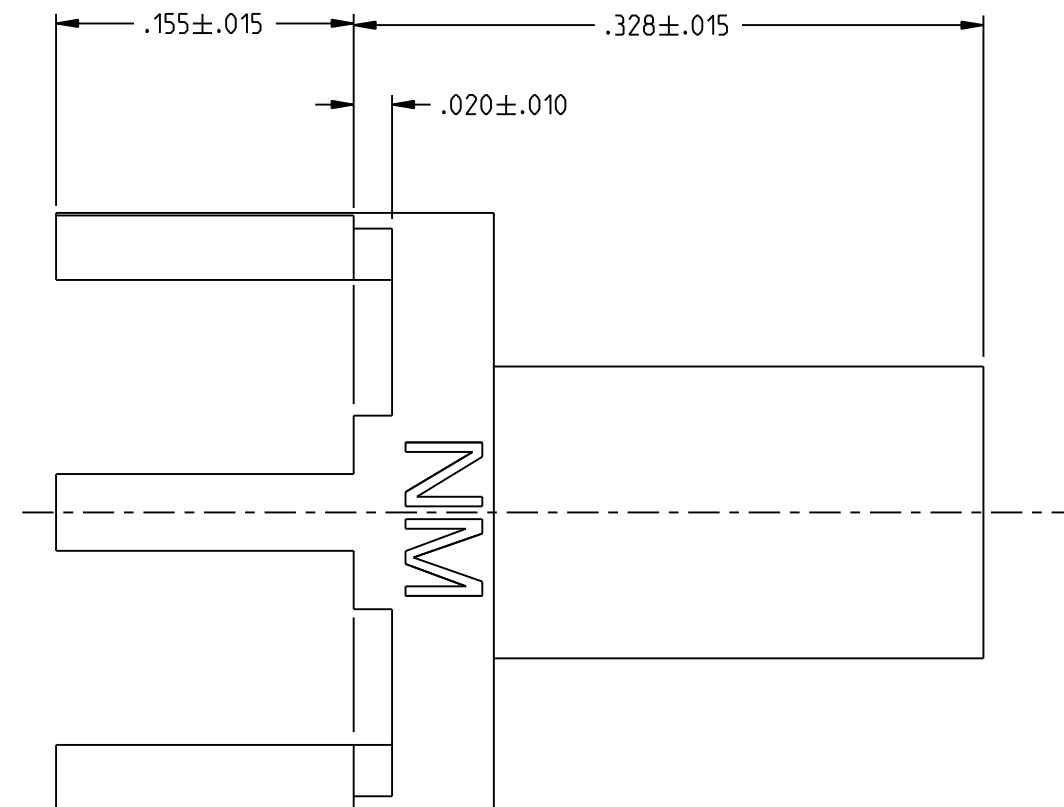
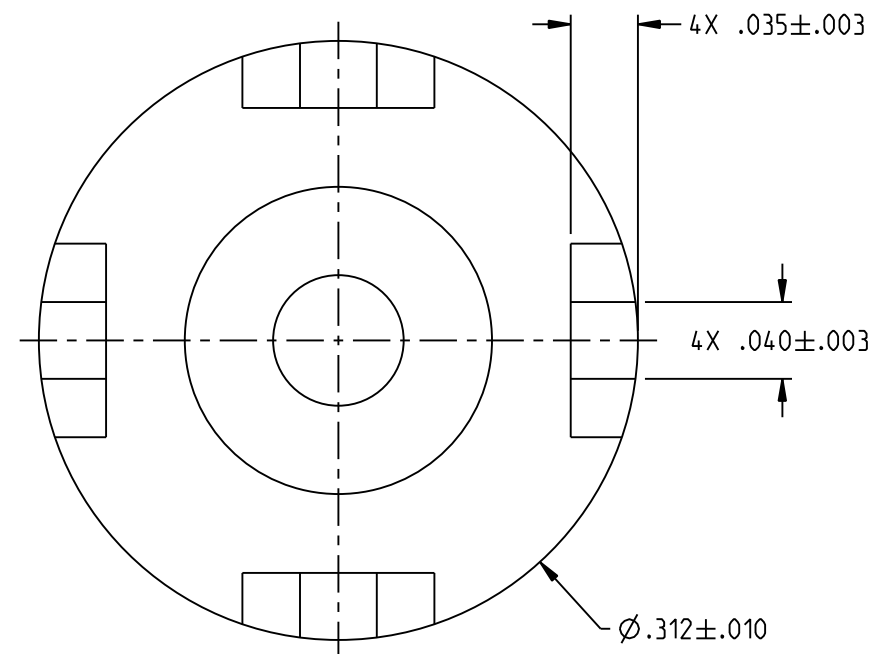
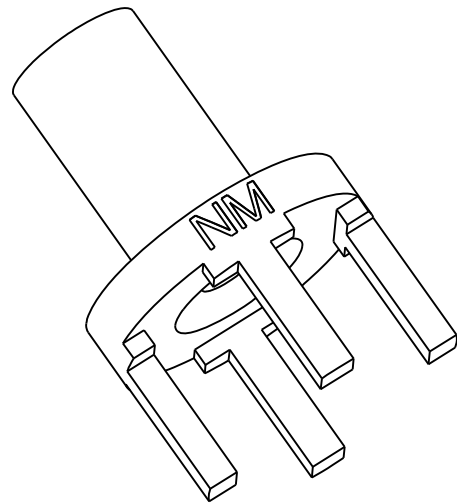
## Contact us

Tel: +86-755-8981 8866 Fax: +86-755-8427 6832

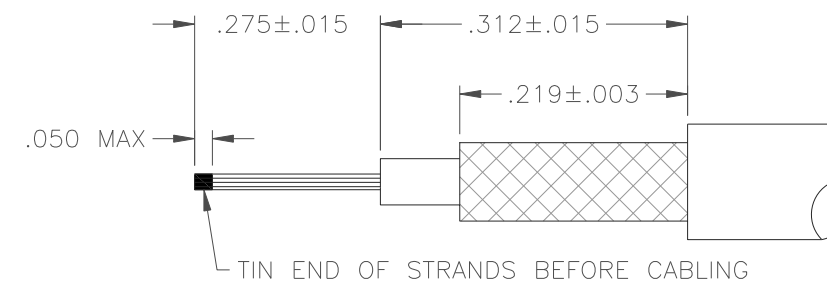
Email & Skype: info@chipsmall.com Web: www.chipsmall.com

Address: A1208, Overseas Decoration Building, #122 Zhenhua RD., Futian, Shenzhen, China





MOUNTING HOLE LAYOUT



CABLE STRIP DIMENSIONS

NOTES: UNLESS OTHERWISE SPECIFIED.

1. MATERIAL & FINISH:

- 1.1 BODY : (142-9003-201) GOLD PLATED COPPER ALLOY  
(142-9003-204) SILVER PLATED COPPER ALLOY
- 1.3 CRIMP SLEEVE: GOLD PLATED COPPER  
(142-9003-204) SILVER PLATED COPPER

2. ELECTRICAL SPECIFICATIONS:

- 2.1 CABLE ACCEPTABILITY: RG 188, RG 316, RG 161,  
RG 174, RG 179, RG 187
- 2.2 CABLE HEX CRIMP SIZE: .128
- 2.3 CABLE RETENTION: 20 LBS MIN OR CABLE BREAKING STRENGTH.

3. CONNECTOR MARKED "NM" FOR NON-MAGNETIC.

<p>This PROPRIETARY Document is property of Cinch Connectivity Solutions. It is confidential in nature, non-transferable, and issued with the clear understanding that it is not to be traced or copied without permission and is returnable upon demand.</p> <p>INTERPRET DRAWING IN ACCORDANCE WITH ASME Y14.5-2009.</p>		<b>JOHNSON</b>	
	RoHS2 <input checked="" type="checkbox"/> 2011/65/EU	Title: CABLE TERMINATION STR PC MOUNT RG 316 NON-MAGNETIC	
UNLESS OTHERWISE SPECIFIED UNITS: INCH		142-9003-201/210	
.XX ±.02 .XXX ±.005 ANGLES ±2°	Size B	DO NOT SCALE DRAWING	Date: 8/09/2016 Sheet: 1 OF 1