



Chipsmall Limited consists of a professional team with an average of over 10 year of expertise in the distribution of electronic components. Based in Hongkong, we have already established firm and mutual-benefit business relationships with customers from,Europe,America and south Asia,supplying obsolete and hard-to-find components to meet their specific needs.

With the principle of “Quality Parts,Customers Priority,Honest Operation,and Considerate Service”,our business mainly focus on the distribution of electronic components. Line cards we deal with include Microchip,ALPS,ROHM,Xilinx,Pulse,ON,Everlight and Freescale. Main products comprise IC,Modules,Potentiometer,IC Socket,Relay,Connector.Our parts cover such applications as commercial,industrial, and automotives areas.

We are looking forward to setting up business relationship with you and hope to provide you with the best service and solution. Let us make a better world for our industry!



## Contact us

Tel: +86-755-8981 8866 Fax: +86-755-8427 6832

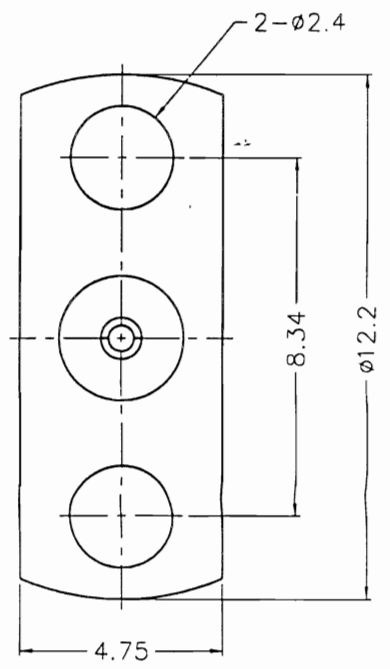
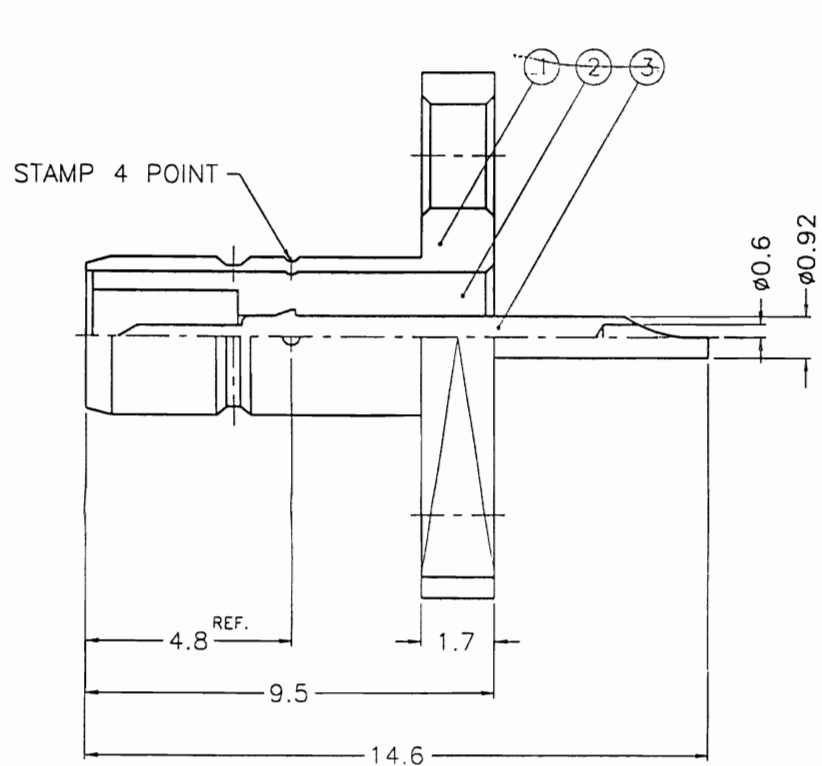
Email & Skype: info@chipsmall.com Web: www.chipsmall.com

Address: A1208, Overseas Decoration Building, #122 Zhenhua RD., Futian, Shenzhen, China



1 | 2 | 3 | 4 | 5 | 6 | 7 | 8

REVISIONS		
ISS	ZONE	DESCRIPTION\APPROVED\DATE



- NOTES: FINISH (PLATING THICKNESS IN MICRO-INCHES)
1. BRASS PER QQ-B-626
  2. GOLD PL. 3 MIN. THICK OVER NICKEL PL. 100 MIN. THICK OVER COPPER STRIKE
  3. GOLD PL. 30 MIN. THICK OVER NICKEL PL. 100 MIN. THICK OVER COPPER STRIKE
  4. TEFLON MIL-P-19468

87.9.14  
開發部

					DIMENSIONS ARE IN. MILLIMETERS		PART NO.	
					UNLESS OTHERWISE SPECIFIED TOLERANCES		APPROVED <i>Mark C</i> DATE 09-10-98'	
					0.5-6 = ±0.2		CHECKED <i>Mark C</i> DATE 09-10-98'	
					6-30 = ±0.4		DRAWN <i>ALEX</i> DATE 09-10-98'	
					30-120 = ±0.6		TITLE	
					120-315 = ±1		SMB PANEL MOUNT RECEPTACLE JACK	
					315-1000 = ±1.6		DRAWING NO. <i>142106</i>	
					1000-2000 = ±2.4		KJ-SMB1551B2-3GT30G-50	
3	CONTACT PIN	NOTE 1	NOTE 3	1	SMB1551B2-3	SCALE 6/1	ISSUE 1	FILE NO. F:\DWG\SMB\1551B2\50\3GT30G
2	INSULATOR	NOTE 4	NATURAL	1	SMB1551B2-2T-50			
1	BODY	NOTE 1	NOTE 2	1	SMB1551B2-1			

**Amphenol Connex**

1 | 2 | 3 | 4 | 5 | 6 | 7 | 8