



Chipsmall Limited consists of a professional team with an average of over 10 year of expertise in the distribution of electronic components. Based in Hongkong, we have already established firm and mutual-benefit business relationships with customers from,Europe,America and south Asia,supplying obsolete and hard-to-find components to meet their specific needs.

With the principle of “Quality Parts,Customers Priority,Honest Operation,and Considerate Service”,our business mainly focus on the distribution of electronic components. Line cards we deal with include Microchip,ALPS,ROHM,Xilinx,Pulse,ON,Everlight and Freescale. Main products comprise IC,Modules,Potentiometer,IC Socket,Relay,Connector.Our parts cover such applications as commercial,industrial, and automotives areas.

We are looking forward to setting up business relationship with you and hope to provide you with the best service and solution. Let us make a better world for our industry!



Contact us

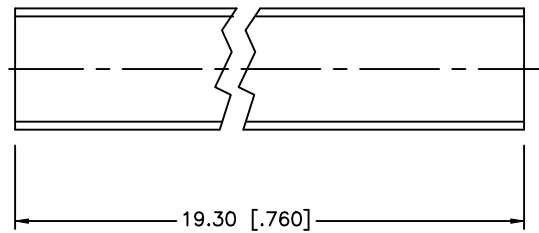
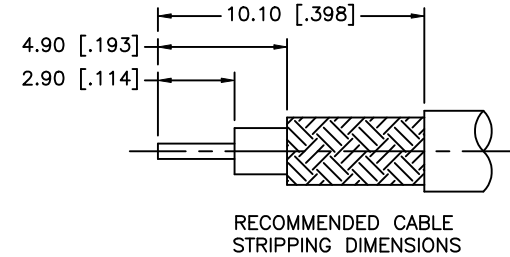
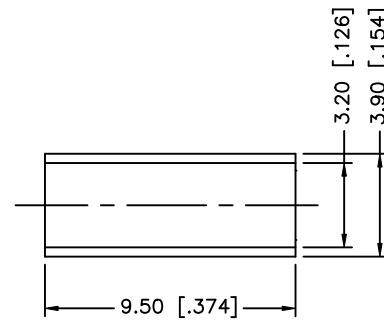
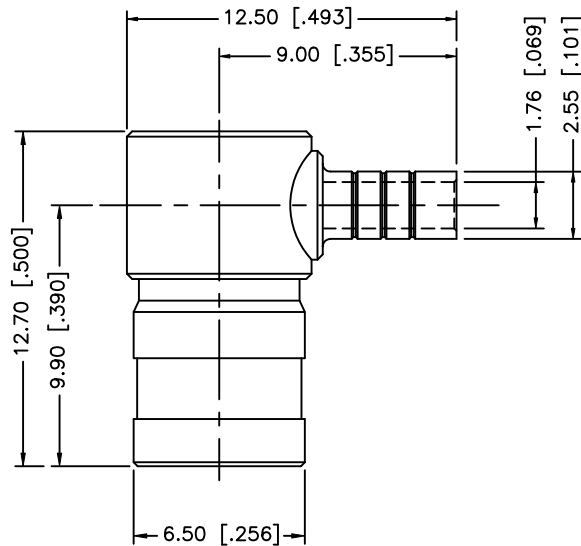
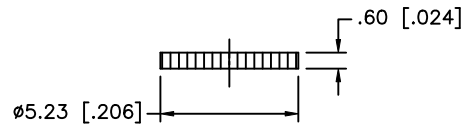
Tel: +86-755-8981 8866 Fax: +86-755-8427 6832

Email & Skype: info@chipsmall.com Web: www.chipsmall.com

Address: A1208, Overseas Decoration Building, #122 Zhenhua RD., Futian, Shenzhen, China



REV.	DATE	ECR NO.	DESCRIPTION
A	03/20/03	-	UPDATE PART DIMENSIONS / DRAWING FORMAT
B	05/08/07	-	REVISE BARREL, FERRULE DIMENSIONS
C	11/12/08	-	REVISE HOUSING, BODY, FERRULE, COVER PLATING TO GOLD



- NOTE:
1. CRIMPED FERRULE HEX CRIMP SIZE .128"
2. CONTACT PIN TO SOLDER

QTY	FINISH	MATERIAL	DESCRIPTION
1	GOLD	DIE CAST	HOUSING
1	GOLD	BRASS	BODY
1	NATURAL	PTFE	INSULATOR
1	GOLD	BER. COPPER	CONTACT PIN
1	GOLD	COPPER	FERRULE
1	GOLD	BRASS	COVER
1			HEAT SHRINK TUBE

UNLESS OTHERWISE SPECIFIED DIMENSIONS ARE IN MILLIMETERS. DIMENSIONS IN [] ARE IN INCHES AND FOR CUSTOMER REFERENCE ONLY.

UNLESS OTHERWISE SPECIFIED TOLERANCES FOR MILLIMETERS ARE:
0.5 - 8mm ± 0.20mm
8 - 30mm ± 0.40mm
30 - 120mm ± 0.50mm

UNLESS OTHERWISE SPECIFIED TOLERANCES FOR INCHES ARE:
.020 - .315 ± 0.007"
.315 - 1.180 ± 0.015"
1.180 - 4.724 ± 0.020"

DO NOT SCALE DRAWING

APPROVALS	DATE
DRAWN GRS	11/12/08
CHECKED	
ISSUED	
SHEET 1 OF 1	
CAD FILE	C:/142/142194.DWG

Amphenol Connex

PART DESCRIPTION
**SMB R/A CRIMP PLUG
(FOR RG-174/U, 188A/U, 316/U CABLE)**

PART NO.	DWG. NO.	REV.	SIZE	SCALE
142194	142194.DWG	NC	A	NA