



Chipsmall Limited consists of a professional team with an average of over 10 year of expertise in the distribution of electronic components. Based in Hongkong, we have already established firm and mutual-benefit business relationships with customers from,Europe,America and south Asia,supplying obsolete and hard-to-find components to meet their specific needs.

With the principle of “Quality Parts,Customers Priority,Honest Operation,and Considerate Service”,our business mainly focus on the distribution of electronic components. Line cards we deal with include Microchip,ALPS,ROHM,Xilinx,Pulse,ON,Everlight and Freescale. Main products comprise IC,Modules,Potentiometer,IC Socket,Relay,Connector.Our parts cover such applications as commercial,industrial, and automotives areas.

We are looking forward to setting up business relationship with you and hope to provide you with the best service and solution. Let us make a better world for our industry!



## Contact us

Tel: +86-755-8981 8866 Fax: +86-755-8427 6832

Email & Skype: info@chipsmall.com Web: www.chipsmall.com

Address: A1208, Overseas Decoration Building, #122 Zhenhua RD., Futian, Shenzhen, China



*General Accessories*



---

**Hardware**

Door Clamping Hardware .....	429
Junction Box Padlock Kit .....	429
Quick Release Junction Box Clamp .....	429
Quick Release Clamp .....	429
Lifting or Pull Handles.....	429
Handle Kits for Type 4 and 4X Enclosures .....	430
Handle Kits for Single Door Type 12 Enclosures .....	431
Lock Kit for NEMA 1 Enclosures.....	431
Lock Kit for 1418 Type 4 and 12 Enclosures.....	431
Hardware .....	432
UL/CSA Hardware Kits .....	433
Ground Lugs.....	434
Quarter Turn Inserts and Keys.....	434
Quarter Turn Assemblies .....	434
Padlock Adaptors.....	434
Eclipse Junior Wing Knob.....	435
Hole Plugs .....	435

---



---

**Panels and Panel Accessories**

Panels for 1414, EJ and PJ Series Enclosures .....	436
Panels for 1418, 1422, 1447, and Wallmount Enclosures .....	436
Panels for Eclipse Series Enclosures.....	437
Panels for 1420 Series Enclosures.....	437
Panels for 1422 Series Floormount Enclosures .....	437
Panels for N1A Series Enclosures.....	438
Perforated Inner Panels .....	439
Swing Panel Kit .....	440
Terminal Kits for 1414/EJ/PJ Series Enclosures .....	441
Terminal Kit for 1418 Enclosures.....	442

---

**Outlet Strips**

15 Amp Rail Mount, Rear Outlet Outlet Strips.....	443
15 Amp Rail Mount, Front Outlet Outlet Strips .....	443
15 Amp Heavy Duty Outlet Strips.....	444
20 Amp - Industrial / Commercial Grade Outlet Strips .....	444
15 Amp - Medical Grade Outlet Strips.....	445
15 Amp Vertical Power Strip .....	445
20 Amp Vertical Power Strip .....	446

---

**General Accessories**

Remote Receptacle .....	446
Gland Plates.....	446
Stack Light Kits.....	447
Steel and Stainless Steel Window Kits .....	449
Frameless Window Kits .....	449
NEMA 4 Deep Hinged Window Kits.....	450
Drip Shield Kit.....	451
Ground Wire Kit .....	451
Door Support Guide .....	451
Fluorescent Light Kit & Accessories .....	452
LED Light Kit.....	452
Remote Door Switch.....	452
Floor Stand Kit.....	453
Door Stop Kit .....	453
Pedestal & Base .....	454
Touch-Up Spray Paint.....	455
Casters .....	455
Literature Pocket Kit.....	456
Enclosure Stabilizers .....	456
Panel Lifting Handles.....	456
Neoprene & Urethane Gasket Kit.....	456
Fold Down Shelf .....	456
Pole Mounting Kit.....	457
PJ Pole Mounting Kit .....	458

---

## General Accessories

### Hardware

**General Accessories**
**Hardware**

### Heavy Duty Door Clamping Hardware



- Replacement hardware for use on all 1418 and 1447 Series enclosures.
- Formed heavy gauge stainless steel clamp with stainless steel hardware.
- Sold in sets of two.

Part No.	<b>1481HC18</b>
----------	-----------------

### Junction Box Padlock Kit



- Field installed kit requires drilling of only 4 holes
- Compatible with 1414 Series junction boxes.
- Only available in 316 Stainless Steel.
- Sold Individually.
- Installation Instructions provided

Part No.	<b>14PLKS16</b>
----------	-----------------

### Quick Release Clamp



- Provides fast access to conventional screw clamp type enclosures.
- Installs on clamp bracket in place of screw on 1418, 1418N4, 1447N4, and 1422N4 Series enclosures.
- Entire assembly is stainless steel.
- Set of two.

Part No.	<b>1418QR</b>
----------	---------------

### Door Clamping Hardware



- Replacement hardware for use on 1414, 1485, 1486, and 1487 Hammond enclosures.
- Formed heavy gauge stainless steel.
- Set of two

Part No.	<b>1481C14</b>
----------	----------------

### Quick Release Junction Box Clamp



- Installs easily on standard clamp bracket allowing for quick access.
- Compatible with 1414 Series junction boxes. Also 1485 Series wireway and 1486 trough.
- Available in plated or stainless steel.
- Sold Individually.

Part No.	Material
<b>14QR</b>	Plated Steel
<b>14QRSS</b>	304 SS
<b>14QRS16</b>	316 SS

### Lifting or Pull Handles



- Chrome plated steel accessory handles.
- Two 10-32 screws on 1427L, M, and N; 6-32 screws on 1427P and Q.
- Additional sizes available. Consult factory.

Part No.	Mtg. Centers	Handle Diameter
<b>1427L</b>	7.00	0.375
<b>1427M</b>	5.25	0.375
<b>1427N</b>	3.50	0.375
<b>1427P</b>	2.81	0.250
<b>1427Q</b>	2.25	0.250

 Technical references and CAD downloads available at [www.hammondmfg.com](http://www.hammondmfg.com)

All dimensions in inches unless specified otherwise

### Handle Kits for Type 4 and 4X Enclosures



- Durable zinc die cast or stainless steel
- Removable handle stop for clockwise / counter-clockwise operation
- Textured powder coat Black finish on zinc cast handle
- Maintains NEMA rating of enclosure
- Padlock “trigger” design for security requirements
- Optional key lock or defeater available
- Handle can be used on other Hammond enclosures as field installation or installed at factory ... contact Hammond

Part No.	Description	Material	NEMA Rating
<b>MHK1</b>	6" PADLOCKING 1PT. LATCH	Zinc	4
<b>MHK2</b>	6" PADLOCKING 3PT < 60"	Zinc	4
<b>MHK3</b>	6" PADLOCKING 3PT > 60"	Zinc	4
<b>MHKD1</b>	6" PADLOCKING DEFEATER 1PT LATCH	Zinc	4
<b>MHKD2</b>	6" PADLOCKING DEFEATER 3PT < 60"	Zinc	4
<b>MHKD3</b>	6" PADLOCKING DEFEATER 3PT > 60"	Zinc	4
<b>MHKL1</b>	6" KEYED PADLOCKING 1PT LATCH	Zinc	4
<b>MHKL2</b>	6" KEYED PADLOCKING 3PT < 60"	Zinc	4
<b>MHKL3</b>	6" KEYED PADLOCKING 3PT > 60"	Zinc	4
<b>MHK1SS</b>	6" SS PADLOCKING 1PT LATCH	316 SS	4X
<b>MHK2SS</b>	6" SS PADLOCKING 3PT LATCH < 60"	316 SS	4X
<b>MHK3SS</b>	6" SS PADLOCKING 3PT LATCH > 60"	316 SS	4X
<b>MHKD1SS</b>	6" SS PADLOCKING DEFEATER 1PT LATCH	316 SS	4X
<b>MHKD2SS</b>	6" SS PADLOCKING DEFEATER 3PT < 60"	316 SS	4X
<b>MHKD3SS</b>	6" SS PADLOCKING DEFEATER 3PT > 60"	316 SS	4X
<b>MHKL1SS</b>	6" SS KEYED PADLOCKING 1PT LATCH	316 SS	4X
<b>MHKL2SS</b>	6" SS KEYED PADLOCKING 3PT < 60"	316 SS	4X
<b>MHKL3SS</b>	6" SS KEYED PADLOCKING 3PT > 60"	316 SS	4X

# General Accessories

## Hardware

### Latch Kits for Single Door Type 12 Enclosures

- Designed for field installation on most 1418 Series single door enclosures (does not fit 1418 J Series).
- Available with key locking, padlocking, and non-locking handles.
- Single point kits include a handle and latch cam.
- Three point kits include a handle, latch cam, latch rods and adjustable rod guides.
- Latch rod ends have rollers for easier door closing.
- All parts are plated or painted for corrosion resistance.



Non-Locking Handle	Handle Rotation	Locking Handle	Handle Rotation	"Tee" Locking Handle	Description
AHK1	clockwise	AHKL1	counter clockwise	THK1	1 point latch
AHK2	clockwise	AHKL2	counter clockwise	THK2	3 point latch 48" and under
AHK3	clockwise	AHKL3	counter clockwise	THK3	3 point latch 60" and over

Padlocking Handle	Locking & Padlocking Handle	Description
PHK1	PHKL1	1 point latch
PHK2	PHKL2	3 point latch 48" and under
PHK3	PHKL3	3 point latch 60" and over

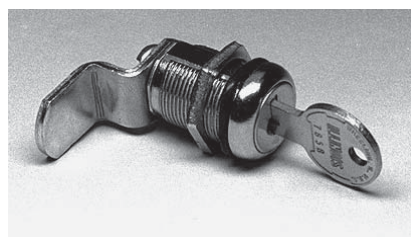


### Lock Kit for NEMA 1 Enclosures



- Installs in place of the existing slotted latch, or in cutout hole provided.
- Reversible cam position for other applications.
- Maintains NEMA1 rating.

Part No.	Fits Enclosure Series
1427LKN1	1420, N1A
N1JLK	N1J, CHKO, N1WS, N1WF



### Lock Kit for 1418 Type 4 and 12 Enclosures

- Designed for installation on most 1418 Series single door enclosures (does not fit 1418 J Series).
- Requires a drilled or punched hole to receive cylinder lock.
- Internal "O" ring provides dust and water tight construction.
- Maintains NEMA rating.

Part No.	1427LKN4
----------	----------

Technical references and CAD downloads available at [www.hammondmfg.com](http://www.hammondmfg.com)

All dimensions in inches unless specified otherwise

## General Accessories

### Hardware



Part No.	Description
<b>1421</b>	pkg. of 4 screws & 4 washers
<b>142110</b>	pkg. of 10 screws & 10 cup washers
<b>142125</b>	pkg. of 25 screws & 25 cup washers

Nickel plated 10-32 x 0.63" combo slot, Phillips oval countersunk head screws with steel cup washers.



Part No.	Description
<b>1421B</b>	pkg. of 4 screws & 4 washers

Nickel plated 10-32 x 0.5" thumb screws with nylon washers for captivating panels up to 0.09" thick. Head is 0.62" diameter x 0.37" high.



Part No.	Description
<b>1421A</b>	pkg. of 4 screws & 4 washers
<b>1421A10</b>	pkg. of 10 screws & 10 cup washers
<b>1421A25</b>	pkg. of 25 screws & 25 cup washers

Nickel plated 10-32 x 0.63" combo slot, Phillips oval countersunk head screws with plastic cup washers.



Part No.	Description
<b>1421B2</b>	pkg. of 2 screws, nuts & washers

Polished stainless steel 1/4-20 x 0.87" thumb screws with nylon washers and steel nuts for captivating panels up to 0.4" thick. Head is 0.68" diameter x 0.25" high.



Part No.	Description
<b>1421A10B</b>	pkg. of 10 screws
<b>1421A25B</b>	pkg. of 25 screws
<b>1421A100B</b>	pkg. of 100 screws
<b>1421A500B</b>	pkg. of 500 screws

Nickel plated 10-32 x 0.63" combo slot, Phillips oval countersunk head screws.



Part No.	Description
<b>1421D</b>	pkg. of 25 screws
<b>1421D100</b>	pkg. of 100 screws
<b>1421D500</b>	pkg. of 500 screws

Zinc plated 10-32 x 0.5" slotted pan head screws.



Part No.	Description
<b>1421A25W</b>	pkg. of 25 cup washers
<b>1421A100W</b>	pkg. of 100 cup washers
<b>1421A500W</b>	pkg. of 500 cup washers

Black plastic cup washers for countersunk 10-32 screws.



Part No.	Description
<b>1421E25W</b>	pkg. of 25 washers
<b>1421E100W</b>	pkg. of 100 washers
<b>1421E500W</b>	pkg. of 500 washers
<b>1421E1000W</b>	pkg. of 1000 washers

Nickel plated metal cup washers for countersunk 10-32 screws.

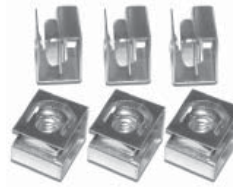
## General Accessories

### Hardware



Part No.	Description
<b>1421N25</b>	pkg. of 25 clip nuts
<b>1421N100</b>	pkg. of 100 clip nuts
<b>1421N250</b>	pkg. of 500 clip nuts
<b>1421N1000</b>	pkg. of 1000 clip nuts

10-32 clip nuts for all panel rails and most other mounting positions. Has the holding strength of a standard 10-32 nut.



Part No.	Description
<b>1421NP25</b>	pkg. of 25 clip nuts
<b>1421NP100</b>	pkg. of 100 clip nuts
<b>1421NP250</b>	pkg. of 500 clip nuts
<b>1421NP1000</b>	pkg. of 1000 clip nuts

Zinc plated 10-32 clip nuts. 10-32 clip nuts for all panel rails and most other mounting positions. Has the holding strength of a standard 10-32 nut.

**General Accessories**


Part No.	Description
<b>1421F25</b>	pkg. of 25

Stainless steel 10-32 x 1.25" Phillips oval countersunk head (the extra length is necessary for raised panels).



Part No.	Description
<b>1421K25</b>	pkg. of 25 screws & nuts
<b>1421K100</b>	pkg. of 100 screws & nuts

Zinc plated 1/4-20 x 0.5" slotted round head screws with captive star washer nuts. Supplied with all panel rails and racks.

**Hardware**


Part No.	Description
<b>1463S</b>	pkg. of 3

3/8-16 spring loaded nuts and 3/8-16 x 0.75" bolts for "C" channels.



Part No.	Description
<b>1421S</b>	pkg. of 4

1/4-20 spring loaded nuts and 1/4-20 x 0.62" round head bolts for "C" channels.



### UL/CSA Hardware Kits

- When used as instructed, kits maintain the UL/CSA Type rating of Hammond enclosures which unapproved hardware will not.
- Screws require hex driver making them virtually tamper proof.
- Kit includes 50 stainless steel screws, sealing washers and nuts with one hex driver per kit.
- Offered in 8-32, 10-32 and 1/4-20 at various lengths.

Part No.	Description
<b>1421N4AA50</b>	8-32 x 1/2" Kit
<b>1421N4AB50</b>	8-32 x 1" Kit
<b>1421N4BA50</b>	10-32 x 1/2" Kit
<b>1421N4BB50</b>	10-32 x 1" Kit
<b>1421N4CA50</b>	1/4-20 x 5/8" Kit
<b>1421N4CB50</b>	1/4-20 x 1" Kit



## General Accessories

### Hardware



### Ground Lugs

- Dual L16 type aluminum lug
- 1 1/8" wide x 1 3/16" long
- Provides excellent grounding
- Accepts wire sizes from 1/0 to 14
- Usually used in conjunction with bus bar
- Packaged individually
- Mounting hardware not included (requires drilling of bus bar)

Part No.	<b>DNGL</b>
----------	-------------



### Quarter Turn Inserts and Keys

- For Eclipse Enclosures
- Field installable inserts replace standard quarter turn slot.
- Available in 7mm square and triangle formats, as well as slotted.
- Maintains NEMA, UL and CSA 12, 4 and 4X ratings.
- Square and triangle inserts provide extra security since standard screw drivers cannot open.
- Keys sold separately from inserts.

Part No.	Description
<b>2SQI7</b>	7mm square insert, black
<b>2SQK7</b>	7mm square key, fits 2SQI7
<b>2TRI7</b>	7mm triangle insert, black
<b>2TRK7</b>	7mm triangle key, fits 2TRI7
<b>2SLI</b>	Slotted insert, black



### Replacement Quarter Turn Assemblies

- Field installable.
- Interchangeable with standard quarter turn latches on Eclipse or Eclipse Junior series.
- Maintains NEMA, UL and CSA ratings as noted.

Part No.	Description	Series used with	Material	NEMA Rating
<b>EQTRL<sup>1</sup></b>	Locking Qtr Turn	Swing Panel/ Frame	Zinc Die/ Chrome	n/a (internal use only)
<b>2QTR</b>	Slotted Qtr Turn	Eclipse	Zinc Die/Black	12, 4,
<b>2SSQTR</b>	Slotted Qtr Turn	Eclipse	Stainless steel	12, 4, 4X
<b>2WKL</b>	Wing knob lock	Eclipse	Zinc Die/Black	12, 4,
<b>2QPL</b>	Padlockable Qtr Turn	Eclipse	Zinc Die/Black	12, 4,
<b>EJQTR</b>	Slotted Qtr Turn	Eclipse Junior	Zinc Die/Black	12, 4
<b>EJSSQTR</b>	Slotted Qtr Turn	Eclipse Junior	Stainless Steel	12, 4, 4X

<sup>1</sup> For use with Swing Frame/Panel.



### Eclipse Padlock Adaptor

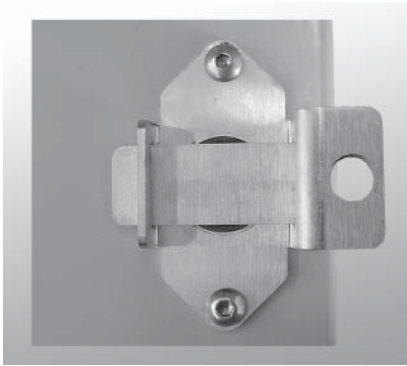
- For use with EN4SD Series Enclosures.
- Padlock adaptor fits directly over the slotted quarter turn preventing access.
- 14 gauge 304 stainless steel.
- Stainless steel mounting hardware provided
- Once installed, the bolts cannot be removed without the door open.
- Easy installed in the field.
- Padlock not included.
- Maintains UL/CSA Type 4, 4X rating.

Part No.	<b>EPA</b>
----------	------------

## General Accessories

### Hardware

### Eclipse Junior Padlock Adaptor



- Padlock adaptor fits directly over the slotted quarter turn preventing access.
- 2mm thick 14 gauge stainless steel.
- Stainless steel mounting hardware provided.
- Once installed, the bolts cannot be removed without the door open.
- Easy installed in the field.
- Padlock not included.
- Maintains UL/CSA Type 4, 4X rating.

Part No. **EJPA**

### Eclipse Junior Wing Knob



- For use with EJ Series only.
- Installs in place of the standard quarter turn lock.
- Internal "O" ring provides dust and water tight construction.
- Zinc Diecast/Black.
- Maintains UL/CSA Type 12 rating.

Part No. **EJWKL**

### Oil Tight Hole Plugs



- Designed to seal unused pushbutton holes, conduit openings and knockout holes against dust, oil and water.
- Standard Pushbutton size is 30.5mm

#### Steel Hole Plugs

- Available in 12 sizes.
- Finished in gray.
- Oil resistant gasket.
- Secured with an 8-32 x .55" threaded stud and plated wing nut.

#### Stainless Steel Hole Plugs

- Available in 8 sizes.
- Finished in brushed natural stainless finish.
- Oil resistant gasket.
- Secured with an 8-32 x .55" threaded stud and plated wing nut.

#### Hole Plugs - Steel

Part No.	Description	Diameter
HP22	22mm Pushbutton	1.22
HP50	.5" Conduit	1.38
HP75	.75" Conduit	1.63
HPB	Std. Pushbutton	1.75
HP100	1" Conduit	1.88
HP125	1.25" Conduit	2.25
HP150	1.5" Conduit	2.50
HP200	2" Conduit	3.00
HP250	2.5" Conduit	3.50
HP300	3" Conduit	4.14
HP350	3.5" Conduit	4.66
HP400	4" Conduit	5.19

#### Hole Plugs - Stainless Steel

Part No.	Description	Diameter
HP22SS	22mm Pushbutton	1.22
HP50SS	.5" Conduit	1.38
HP75SS	.75" Conduit	1.63
HPBSS	Std. Pushbutton	1.75
HP100SS	1" Conduit	1.88
HP125SS	1.25" Conduit	2.25
HP150SS	1.5" Conduit	2.50
HP200SS	2" Conduit	3.00

## General Accessories Panels

### Panels for 1414, EJ and PJ Series Enclosures

- 14 gauge steel panels are finished in white.
- Aluminum panels are 0.080 type 5052 H-32 aluminum, unpainted.
- 14 gauge unpainted galvanized steel.
- Fiberglass panels in NEMA sizes.
- Steel panels and mounting hardware are included with 1414 Series enclosures.
- Galvanized panels and mounting hardware are included with the EJ Series enclosures.
- Mounting hardware is included with PJ Series enclosures, order panel separately.

Steel Part No.	Fiberglass Part No.	Aluminum Part No.	Galv. Steel Part No.	Panel		For Use with 1414 and EJ		For Use with PJ Series	
				Length	Width	Height	Width	Height	Width
<b>14R0503</b>		<b>14A0503</b>	<b>14G0503</b>	4.88	2.88	6	4	—	—
<b>14R0505</b>	<b>14F0505</b>	<b>14A0505</b>	<b>14G0505</b>	4.88	4.88	6	6	7.04	7.04
<b>14R0705</b>	<b>14F0705</b>	<b>14A0705</b>	<b>14G0705</b>	6.75	4.88	8	6	8.94	7.06
<b>14R0707</b>		<b>14A0707</b>	<b>14G0707</b>	6.75	6.88	8	8	—	—
<b>14R0907</b>	<b>14F0907</b>	<b>14A0907</b>	<b>14G0907</b>	8.75	6.88	10	8	11.08	9.20
<b>14R0909</b>		<b>14A0909</b>	<b>14G0909</b>	8.75	8.88	10	10	—	—
<b>14R1105</b>		<b>14A1105</b>	<b>14G1105</b>	10.75	4.88	12	6	—	—
<b>14R1109</b>	<b>14F1109</b>	<b>14A1109</b>	<b>14G1109</b>	10.75	8.88	12	10	13.08	11.20
<b>14R1111</b>		<b>14A1111</b>	<b>14G1111</b>	10.75	10.88	12	12	—	—
<b>14R1307</b>		<b>14A1307</b>	<b>14G1307</b>	12.75	6.88	14	8	—	—
<b>14R1311</b>	<b>14F1311</b>	<b>14A1311</b>	<b>14G1311</b>	12.75	10.88	14	12	15.08	13.20
<b>14R1509</b>		<b>14A1509</b>	<b>14G1509</b>	14.75	8.88	16	10	—	—
<b>14R1513</b>	<b>14F1513</b>	<b>14A1513</b>	<b>14G1513</b>	14.75	12.88	16	14	17.22	15.34
<b>P1868</b>	<b>F1868</b>	<b>A1868</b>	<b>14G1715</b>	16.88	14.88	—	—	19.34	17.34
<b>P2068</b>	<b>F2068</b>	<b>A2068</b>	<b>14G1915</b>	18.44	14.44	—	—	20.94	16.94

### Panels for 1418, 1422, 1447, and Wallmount Enclosures

- 12 gauge steel finished in white.
- 12 gauge unpainted galvanized steel panels.
- Larger panels have two or four formed flanges.
- Some larger panels are 10 gauge.
- Panels and mounting hardware are included with 1418, 1447 and 1422 Series enclosures.

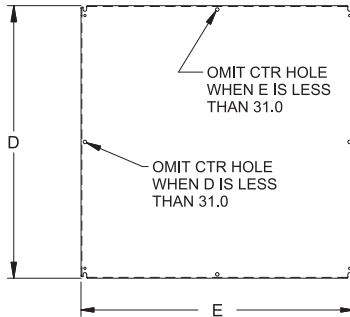
Steel Part No.	Galv. Steel Part No.	Panel		For Use With Enclosure	
		Length	Width	Height	Width
<b>18P0909<sup>1</sup></b>	<b>18G0909<sup>1</sup></b>	9	9	12	12
<b>18P0921<sup>1</sup></b>	<b>18G0921<sup>1</sup></b>	9	21	12	24
<b>18P1309<sup>1</sup></b>	<b>18G1309<sup>1</sup></b>	13	9	16	12
<b>18P1313<sup>1</sup></b>	<b>18G1313<sup>1</sup></b>	13	13	16	16
<b>18P1515<sup>1</sup></b>	<b>18G1515<sup>1</sup></b>	15	15	18	18
<b>18P1709<sup>1</sup></b>	<b>18G1709<sup>1</sup></b>	17	9	20	12
<b>18P1713<sup>1</sup></b>	<b>18G1713<sup>1</sup></b>	17	13	20	16
<b>18P1717<sup>1</sup></b>	<b>18G1717<sup>1</sup></b>	17	17	20	20
<b>18P2109<sup>1</sup></b>	<b>18G2109<sup>1</sup></b>	21	9	24	12
<b>18P2113<sup>1</sup></b>	<b>18G2113<sup>1</sup></b>	21	13	24	16
<b>18P2117<sup>2</sup></b>	<b>18G2117<sup>2</sup></b>	21	17	24	20
<b>18P2121<sup>2</sup></b>	<b>18G2121<sup>2</sup></b>	21	21	24	24
<b>18P2709<sup>2</sup></b>	<b>18G2709<sup>2</sup></b>	27	9	30	12
<b>18P2713<sup>2</sup></b>	<b>18G2713<sup>2</sup></b>	27	13	30	16
<b>18P2717<sup>2</sup></b>	<b>18G2717<sup>2</sup></b>	27	17	30	20
<b>18P2721<sup>2</sup></b>	<b>18G2721<sup>2</sup></b>	27	21	30	24
<b>18P2727<sup>3</sup></b>	<b>18G2727<sup>3</sup></b>	27	27	30	30
<b>18P3321<sup>2</sup></b>	<b>18G3321<sup>2</sup></b>	33	21	36	24
<b>18P3327<sup>3</sup></b>	<b>18G3327<sup>3</sup></b>	33	27	36	30
<b>18P3333<sup>3</sup></b>	<b>18G3333<sup>3</sup></b>	33	33	36	36
<b>18P3921<sup>2</sup></b>	<b>18G3921<sup>2</sup></b>	39	21	42	24
<b>18P3927<sup>3</sup></b>	<b>18G3927<sup>3</sup></b>	39	27	42	30
<b>18P3933<sup>3</sup></b>	<b>18G3933<sup>3</sup></b>	39	33	42	36
<b>18P4521<sup>2</sup></b>	<b>18G4521<sup>2</sup></b>	45	21	48	24
<b>18P4527<sup>3</sup></b>	<b>18G4527<sup>3</sup></b>	45	27	48	30
<b>18P4533<sup>3</sup></b>	<b>18G4533<sup>3</sup></b>	45	33	48	36
<b>18P5733<sup>3</sup></b>	<b>18G5733<sup>3</sup></b>	57	33	60	36
<b>18P6927<sup>3</sup></b>	<b>18G6927<sup>3</sup></b>	69	27	72	30
<b>18P6933<sup>3</sup></b>	<b>18G6933<sup>3</sup></b>	69	33	72	36

<sup>1</sup> Flat Panel   <sup>2</sup> 2 Formed Flanges   <sup>3</sup> 4 Formed Flanges

# General Accessories Panels

## Panels for Eclipse Series Enclosures

- Larger than standard NEMA panel used in same sized enclosure.
- 12gauge steel construction.
- Larger sizes have 2 or 4 formed flanges for added strength.
- Slotted corner design for easier mounting.
- Finished in white or unpainted galvanized.



Mild Steel Part No.	Galvanized Part No.	Size		
		D	E	Gauge
EP1212 <sup>1</sup>	EPG1212 <sup>1</sup>	10.2	10.2	12
EP1224 <sup>1</sup>	EPG1224 <sup>1</sup>	10.2	22.2	12
EP1612 <sup>1</sup>	EPG1612 <sup>1</sup>	14.2	10.2	12
EP1616 <sup>1</sup>	EPG1616 <sup>1</sup>	14.2	14.2	12
EP1620 <sup>1</sup>	EPG1620 <sup>1</sup>	14.2	18.2	12
EP2012 <sup>1</sup>	EPG2012 <sup>1</sup>	18.2	10.2	12
EP2016 <sup>1</sup>	EPG2016 <sup>1</sup>	18.2	14.2	12
EP2020 <sup>2</sup>	EPG2020 <sup>2</sup>	18.2	18.2	12
EP2024 <sup>2</sup>	EPG2024 <sup>2</sup>	18.2	22.2	12
EP2412 <sup>1</sup>	EPG2412 <sup>1</sup>	22.2	10.2	12
EP2416 <sup>2</sup>	EPG2416 <sup>2</sup>	22.2	14.2	12
EP2420 <sup>2</sup>	EPG2420 <sup>2</sup>	22.2	18.2	12
EP2424 <sup>3</sup>	EPG2424 <sup>3</sup>	22.2	22.2	12
EP2430 <sup>3</sup>	EPG2430 <sup>3</sup>	22.2	28.2	12
EP2442 <sup>3</sup>	EPG2442 <sup>3</sup>	22.2	40.2	12
EP2448 <sup>3</sup>	EPG2448 <sup>3</sup>	22.2	46.2	12
EP3012 <sup>2</sup>	EPG3012 <sup>2</sup>	28.2	10.2	12
EP3016 <sup>3</sup>	EPG3016 <sup>3</sup>	28.2	14.2	12
EP3020 <sup>3</sup>	EPG3020 <sup>3</sup>	28.2	18.2	12
EP3024 <sup>3</sup>	EPG3024 <sup>3</sup>	28.2	22.2	12
EP3030 <sup>3</sup>	EPG3030 <sup>3</sup>	28.2	28.2	12

Mild Steel Part No.	Galvanized Part No.	Size		
		D	E	Gauge
EP3036 <sup>3</sup>	EPG3036 <sup>3</sup>	28.2	34.2	12
EP3042 <sup>3</sup>	EPG3042 <sup>3</sup>	28.2	40.2	12
EP3048 <sup>3</sup>	EPG3048 <sup>3</sup>	28.2	46.2	12
EP3060 <sup>3</sup>	EPG3060 <sup>3</sup>	28.2	58.2	12
EP3624 <sup>3</sup>	EPG3624 <sup>3</sup>	34.2	22.2	12
EP3630 <sup>3</sup>	EPG3630 <sup>3</sup>	34.2	28.2	12
EP3636 <sup>3</sup>	EPG3636 <sup>3</sup>	34.2	34.2	12
EP3642 <sup>3</sup>	EPG3642 <sup>3</sup>	34.2	40.2	12
EP3648 <sup>3</sup>	EPG3648 <sup>3</sup>	34.2	46.2	12
EP3660 <sup>3</sup>	EPG3660 <sup>3</sup>	34.2	58.2	12
EP4224 <sup>3</sup>	EPG4224 <sup>3</sup>	40.2	22.2	12
EP4230 <sup>3</sup>	EPG4230 <sup>3</sup>	40.2	28.2	12
EP4236 <sup>3</sup>	EPG4236 <sup>3</sup>	40.2	34.2	12
EP4824 <sup>3</sup>	EPG4824 <sup>3</sup>	46.2	22.2	12
EP4830 <sup>3</sup>	EPG4830 <sup>3</sup>	46.2	28.2	12
EP4836 <sup>3</sup>	EPG4836 <sup>3</sup>	46.2	34.2	12
EP4848 <sup>3</sup>	EPG4848 <sup>3</sup>	46.2	46.2	12
EP6036 <sup>3</sup>	EPG6036 <sup>3</sup>	58.2	34.2	12
EP7230 <sup>3</sup>	EPG7230 <sup>3</sup>	70.2	28.2	12
EP7236 <sup>3</sup>	EPG7236 <sup>3</sup>	70.2	34.2	12

<sup>1</sup> Flat Panel   <sup>2</sup> 2 Formed Flanges   <sup>3</sup> 4-Formed Flanges

General Accessories

Panels

## Panels for 1420 Series Enclosures

- Panels and mounting hardware are included with 1420 Series enclosures.
- 12 gauge steel finished in white.

Part No.	Panel		For Use With Enclosure	
	Length	Width	Height	Width
20P1410 <sup>1</sup>	14	10	16	12
20P1814 <sup>1</sup>	18	14	20	16
20P1818 <sup>1</sup>	18	18	20	20
20P2218	22	18	24	20
20P2222	22	22	24	24
20P2818	28	18	30	20
20P2822	28	22	30	24
20P3422	34	22	36	24
20P3428	34	28	36	30
20P4022	40	22	42	24
20P4028	40	28	42	30
20P4034	40	34	42	36
20P4634	46	34	48	36

<sup>1</sup> Flat panel

## Panels for 1422 Series Floormount Enclosures

- 22P5038 is formed from 12 gauge steel, all others are 10 gauge steel.
- Panels and mounting hardware are included with 1422 Series enclosures.
- Finished in white.

Part No.	Panel		For Use With Enclosure	
	Length	Width	Height	Width
22P5038	50	38	54	42
22P5644	56	44	60	48
22P5656	56	56	60	60
22P6856	68	56	72	60
22P6868	68	68	72	72

Technical references and CAD downloads available at [www.hammondmfg.com](http://www.hammondmfg.com)

All dimensions in inches unless specified otherwise

## General Accessories

### Panels

### Panels for N1A Series Enclosures

- 12 and 14 gauge steel finished in white.
- Panels and mounting hardware are included with N1A Series enclosures.

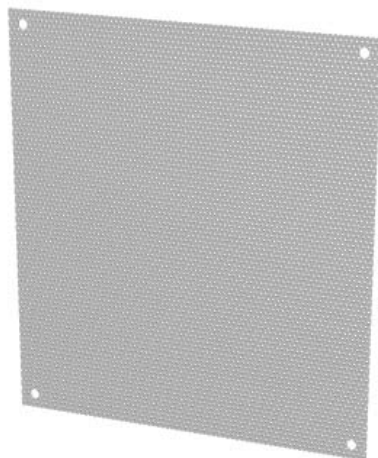
Part No.	Panel		For Use With Enclosure	
	Length	Width	Height	Width
AP1612 <sup>1</sup>	13	10.5	16	12
AP1616 <sup>1</sup>	13	14.5	16	16
AP1620 <sup>1</sup>	13	18.5	16	20
AP2016 <sup>1</sup>	17	14.5	20	16
AP2020 <sup>1</sup>	17	18.5	20	20
AP2024 <sup>1</sup>	17	22.5	20	24
AP2416 <sup>1</sup>	21	14.5	24	16
AP2420 <sup>1</sup>	21	18.5	24	20
AP2424 <sup>1</sup>	21	22.5	24	24

Part No.	Panel		For Use With Enclosure	
	Length	Width	Height	Width
AP3020 <sup>1</sup>	26	18.5	30	20
AP3024 <sup>1</sup>	26	22.5	30	24
AP3030 <sup>1</sup>	26	28.5	30	30
AP3624 <sup>1</sup>	32	22.5	36	24
AP3630 <sup>1</sup>	32	28.5	36	30
AP4224 <sup>1</sup>	38	22.5	42	24
AP4230	38	28.5	45	30
AP4236	38	34.5	42	36
AP4836	44	34.5	48	36

<sup>1</sup> Flat Panel

## General Accessories Panels

### Perforated Inner Panels



- Made from 16 ga steel
- Accepts self tapping screws eliminating timely measurement, marking and drilling of component mounting holes
- 1/8" dia holes on 1/4" staggered centers
- ANSI 61 gray powder finish

#### For NEMA 1 (N1A Series)

Part No.	Panel		For Use With Enclosure		# Folds
	Length	Width	Height	Width	
AP1612PP	13	10.5	16	12	0
AP1616PP	13	14.5	16	16	0
AP1620PP	13	18.5	16	20	0
AP2016PP	17	14.5	20	16	0
AP2020PP	17	18.5	20	20	0
AP2024PP	17	22.5	20	24	0
AP2416PP	21	14.5	24	16	0
AP2420PP	21	18.5	24	20	0
AP2424PP	21	22.5	24	24	4
AP3020PP	26	18.5	30	20	4
AP3024PP	26	22.5	30	24	4
AP3030PP	26	28.5	30	30	4
AP3624PP	32	22.5	36	24	4
AP3630PP	32	28.5	36	30	4
AP4224PP	38	22.5	42	24	4

#### For NEMA 1 (N1J Series)

Part No.	Panel		For Use With Enclosure		# Folds
	Length	Width	Height	Width	
N1JP66PP	4.25	4.25	6	6	0
N1JP86PP	6.25	4.25	8	6	0
N1JP88PP	6.25	6.25	8	8	0
N1JP108PP	8.25	6.25	10	8	0
N1JP1010PP	8.25	8.25	10	10	0
N1JP1210PP	10.25	8.25	12	10	0
N1JP1212PP	10.25	10.25	12	12	0
N1JP1412PP	12.25	10.25	14	12	0
N1JP1612PP	14.25	10.25	16	12	0
N1JP2012PP	18.25	10.25	20	12	0

#### For NEMA 3R (C3R Series)

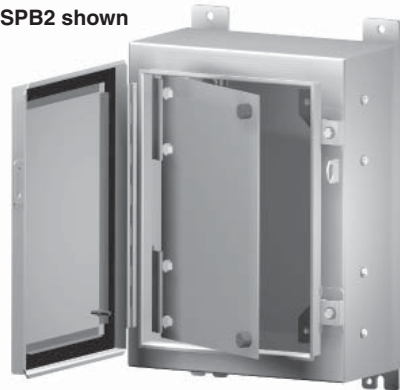
Part No.	Panel		For Use With Enclosure		# Folds
	Length	Width	Height	Width	
18P1309PP	13	9	16	12	0
18P1313PP	13	13	16	16	0
18P1515PP	15	15	18	18	0
18P1713PP	17	13	20	16	0
18P1717PP	17	17	20	20	0
18P2117PP	21	17	24	20	0
18P2121PP	21	21	24	24	4
18P2721PP	27	21	30	24	4
18P2727PP	27	27	30	30	4
18P3321PP	33	21	36	24	4
18P3327PP	33	27	36	30	4
18P3333PP	33	33	36	36	4

Technical references and CAD downloads available at [www.hammondmfg.com](http://www.hammondmfg.com)

All dimensions in inches unless specified otherwise

## General Accessories

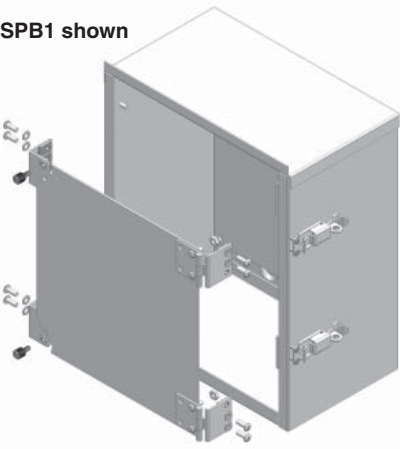
### Panels

**SPB2 shown**


### Swing Panel Kit

- Kits are used as accessory to standard Hammond panels (sold separately)
- Allows panel to be mounted in front part of enclosure
- Hinge permits access behind panel
- Sealing washers preserve approval rating of enclosure

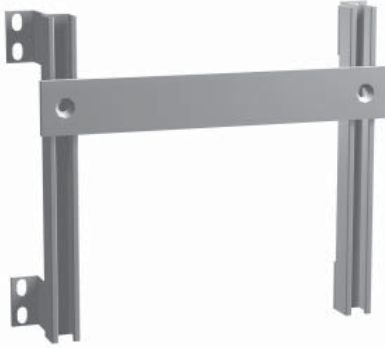
<b>Part #:</b>	<b>SPB1</b>
<b>For use with:</b>	<ul style="list-style-type: none"> <li>• 1414 Series where AxB is 8"x6" or larger</li> <li>• EJ Series where AxB is 8"x6" or larger</li> <li>• C3R-HCLO Series where AxB is 16x12 or smaller</li> <li>• Panel not included</li> </ul>
<b>Part #:</b>	<b>SPB2</b>
<b>For use with:</b>	<ul style="list-style-type: none"> <li>• 1418 Wallmount Series, Eclipse Series</li> <li>• C3R-HCLO Series where AxB is 16x16 or larger</li> <li>• C3R-HCR Series where AxB is 16x12 or larger</li> <li>• Panel not included</li> </ul>

**SPB1 shown**


# General Accessories

## Panel Accessories

General Accessories Panels



### Terminal Kits for 1414/EJ/PJ Series Enclosures

- Used to provide convenient mounting for terminal blocks in 1414 Series enclosures and some sizes of "PJ" Series enclosures.
- Finished in white.

#### Bracket Assembly

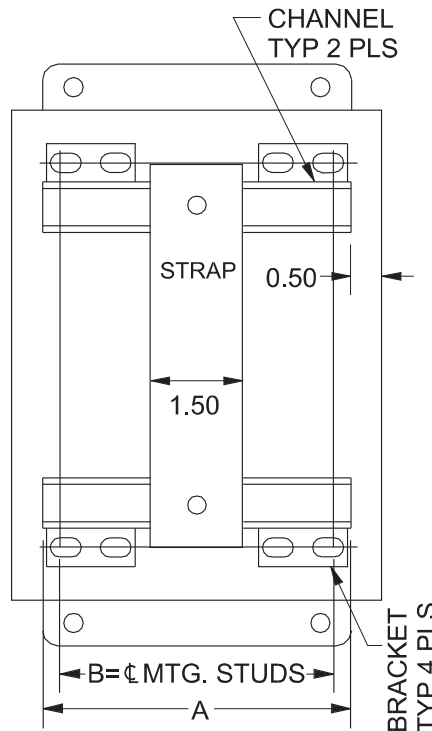
- Each kit consists of two brackets.
- "C" channel construction provides easy alignment of terminal straps.

#### Terminal Strap

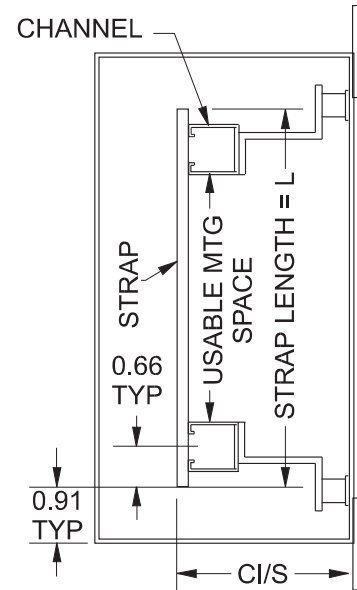
- 1.5" wide x 0.187" thick steel.
- Each strap includes spring locking hardware.
- Countersunk holes in straps provide extra terminal mounting space.

#### How to Order

- Each enclosure requires one bracket assembly kit and the required number of straps (Strap Part No. corresponds to enclosure dimension "A" and is mounted parallel to same, Bracket Part No. corresponds to enclosure dimension "B" and is mounted parallel to same).
- Example: For a PJ864L enclosure, order one 14B6 bracket assembly and a minimum of one 14B8 terminal strap kits. Additional terminal strap kits will provide additional mounting space.



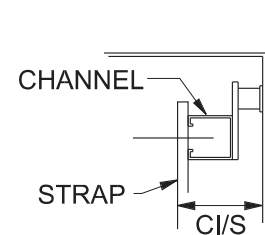
Front View



Side View

Single Strap Part No.	L= Length	Usable Mounting Space	Bracket (Pair) Part No.	Width of Box	A	B	C	Fits PJ Enclosure
14S8	6.19	4.30	14B6	6	5	4.25	1.55	PJ864... <sup>1</sup>
14S10	8.19	6.30	14B8	8	7	6.25	1.55	PJ1086... <sup>1</sup>
14S12	10.19	8.30	14B10	10	9	8.25	2.79	PJ12106... <sup>1</sup>
14S14	12.19	10.30	14B12	12	11	10.25	2.79	PJ14126... <sup>1</sup>
14S16	14.19	12.30	14B14	14	13	12.25	2.79	PJ16148... <sup>1</sup>

<sup>1</sup> Compatible with all latch types

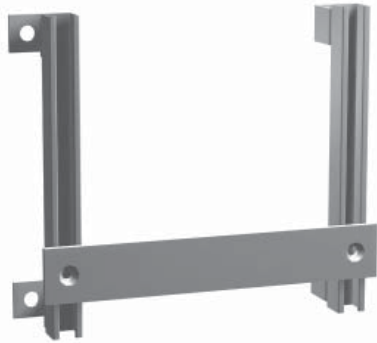


Detail A

Technical references and CAD downloads available at [www.hammondmfg.com](http://www.hammondmfg.com)

All dimensions in inches unless specified otherwise





### Terminal Kit for 1418 Enclosures

- Used to provide convenient mounting for terminal blocks, pneumatic controls or small relays in 1418 wallmount enclosures.
- Brackets may be installed horizontally or vertically in an enclosure if the size corresponds to enclosure length or width.
- Finished in white.

### Bracket Assembly

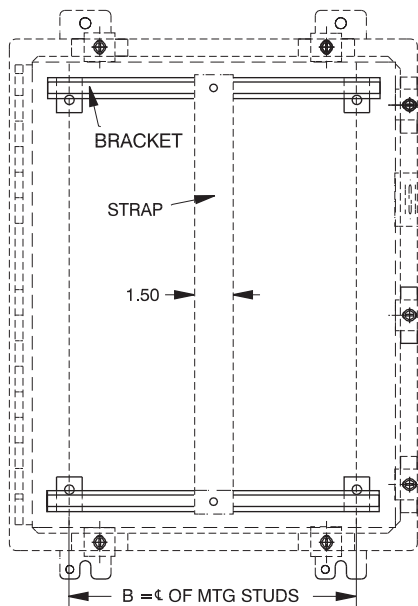
- Each kit consists of two or three brackets per assembly.
- Brackets combined with collar stud length provide 3" minimum clearance from the rear of the enclosure.
- "C" channel construction provides easy alignment of terminal straps.

### Terminal Strap

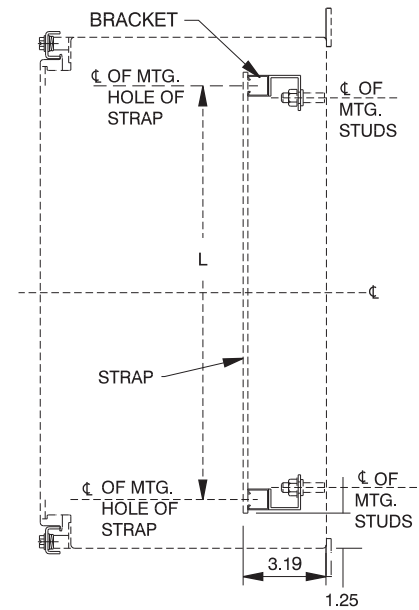
- 1.5" wide x 0.187" thick steel.
- Each strap includes spring locking hardware.
- Countersunk holes in straps provide extra terminal mounting space.

### How To Order

- Each enclosure requires one bracket assembly kit and the required number of straps (order separately).
- Determine if strap will be mounted parallel to dimension "A" or "B".
- Choose the part number that corresponds to enclosure dimensions "A" or "B".
- When choosing a bracket assembly to be parallel to dimension "B" in an enclosure of 24", 30" or 36" width, determine if a two or three bracket assembly is required. When enclosures are 48" or greater on "A" dimension, 6 collar studs are used.
- Choose strap kit to correspond to the other enclosure dimensions.
- Order the number of kits equal to the number of straps required.



Front View



Side View

### Bracket Assembly

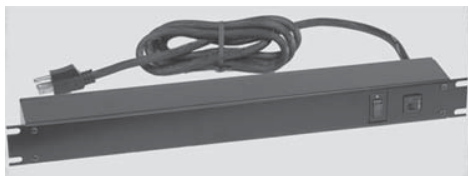
Part No.	Number of Brackets	Length	B	Parallel Enclosure Dim
18B212	2	8.5	7.25	12
18B216	2	12.5	11.25	16
18B220	2	16.5	15.25	20
18B224	2	20.5	19.25	24
18B324	3	20.5	19.25	24
18B230	2	26.5	25.25	30
18B330	3	26.5	25.25	30
18B236	2	32.5	31.25	36
18B336	3	32.5	31.25	36

### Strap

Part No.	Length	Usable Mounting Space (L)
18S12	9.5	7.6
18S16	13.5	11.6
18S20	17.5	15.6
18S24	21.5	19.6
18S30	27.5	25.6
18S36	33.5	31.6
18S42	39.5	37.6
18S48	45.5	43.6
18S60	57.5	55.6
18S72	69.5	67.6

## General Accessories

### Outlet Strips



#### Rail Mount, Rear Outlet Strips

- Designed for rear access with a lighted, rocker type ON-OFF switch for master power shut-off/on where noted in chart.
- Heavy 14 gauge wire cord - 14/3 SJTW for extreme temperature ranges and integral molded plug.
- Contains 6 or 8 receptacles, a 15 Amp breaker and is rated for 15 Amps @ 125V.
- Steel case, U-ground cord, plug, and receptacles.
- Outlet strip is 19" wide, 3" deep and requires 1 unit (1.75") of panel height to mount.
- UL component recognized. Standard UL1363 - file # E166039
- CSA certified Standard C22.2 (No. 21-95 and No. 42-99)
- Also available in ANSI61 Gray (remove "BK" from end of part number)

Part No.	Color	Cord Length	On/Off Switch	Type	No. of Outlets
1583H6A1BK	Black	6'	Yes	Straight	6
1583H6B1BK	Black	15'	Yes	Straight	6
1583H8A1BK	Black	6'	Yes	Straight	8
1583H8B1BK	Black	15'	Yes	Straight	8
1583T6A1BK	Black	6'	No	Straight	6
1583T6B1BK	Black	15'	No	Straight	6
1583T8A1BK	Black	6'	No	Straight	8
1583T8B1BK	Black	15'	No	Straight	8

General Accessories



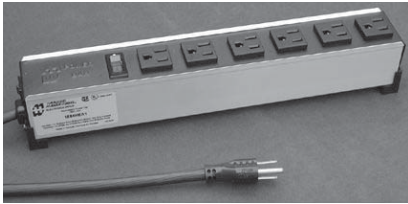
#### Rail Mount, Front Outlet Strips

- Designed for front access with a lighted, rocker type ON-OFF switch for master power shut-off/on where noted in chart.
- Heavy 14 gauge wire cord - 14/3 SJTW for extreme temperature ranges and integral molded plug.
- Contains 6 or 8 receptacles, a 15 Amp breaker and is rated for 15 Amps @ 125V.
- Steel case, U-ground cord, plug, and receptacles.
- Outlet strip is 19" wide, 3" deep and requires 1 unit (1.75") of panel height to mount.
- UL component recognized. Standard UL1363 - file # E166039
- CSA certified Standard C22.2 (No. 21-95 and No. 42-99)
- Also available in ANSI61 Gray (remove "BK" from end of part number)

Part No.	Color	Cord Length	On/Off Switch	Type	No. of Outlets
1582H6A1BK	Black	6'	Yes	Straight	6
1582H6B1BK	Black	15'	Yes	Straight	6
1582H8A1BK	Black	6'	Yes	Straight	8
1582H8B1BK	Black	15'	Yes	Straight	8
1582T6A1BK	Black	6'	No	Straight	6
1582T6B1BK	Black	15'	No	Straight	6
1582T8A1BK	Black	6'	No	Straight	8
1582T8B1BK	Black	15'	No	Straight	8

Outlet Strips

## General Accessories Outlet Strips



### Heavy Duty Outlet Strips

- Built to meet the rugged requirements of commercial and industrial use.
- All metal housing - tough extruded aluminum case with a matte black steel cover and heavy duty duplex receptacles.
- Heavy 14 gauge wire cord - 14/3 SJTW for extreme temperature ranges and integral molded plug.
- UL Listed Standard UL1363 - file # E166039
- CSA certified Standards C22.2 (No. 21-95 and 42-99)
- Plug types available are NEMA 5-15P straight blade (NEMA L5-15P locking plug also available - consult factory)
- Separate mounting feet provide for work station mounting if desired.
- Contains 15 amp, 125 volt re-settable circuit breakers to prevent accidental line overload.
- Available in 3 lengths with 4, 6, or 8 receptacles.
- Features a lighted, rocker type ON-OFF switch for master power shut-off/on where noted in chart.

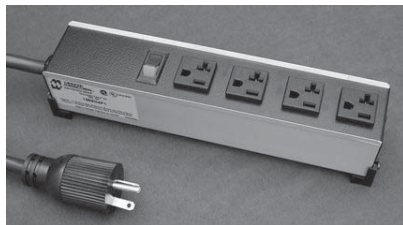


### Rack Mounting Kit

- Contains hardware for system and Amhal strut mounting.

Part No. **1584MK1**

Part No.	No. of Outlets	Length (Inches)	On/Off Switch	Cord Length	Plug Type
1584H4A1	4	11.0	Yes	6'	Straight
1584H4B1	4	11.0	Yes	15'	Straight
1584H6A1	6	14.0	Yes	6'	Straight
1584H6B1	6	14.0	Yes	15'	Straight
1584H8A1	8	17.0	Yes	6'	Straight
1584H8B1	8	17.0	Yes	15'	Straight
1584T4A1	4	11.0	No	6'	Straight
1584T4B1	4	11.0	No	15'	Straight
1584T6A1	6	14.0	No	6'	Straight
1584T6B1	6	14.0	No	15'	Straight
1584T8A1	8	17	No	6'	Straight
1584T8B1	8	17	No	15'	Straight



### 20 Amp - Industrial / Commercial Grade Outlet Strips

- Built to meet the rugged requirements of industrial and commercial use.
- All metal housing – tough extruded aluminum case with black powder-coated steel cover.
- Heavy-duty black receptacles rated for 20A, 125VAC service (NEMA 5-20R, Single T-Slot).
- Heavy-duty power cord – 12/3 SJTW for extreme temperature ranges.
- Integral molded plug with straight blade (NEMA 5-20P) or locking (NEMA L5-20P) configuration.
- Includes 20A, 125VAC circuit breaker to prevent accidental line overload.
- Mounting feet (with keyhole slots) allow temporary work station mounting if desired.
- CSA certified, Standards C22.2 (No. 21-95 and No. 42-99)
- UL listed, Standard UL1363 - file # E166039

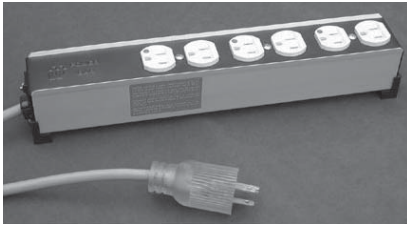


Part No.	Outlets	Cord Length	Plug Type	Dimensions (inches)
1589H4C1	4	6'	Locking	11 x 2 x 2
1589H4D1	4	15'	Locking	11 x 2 x 2
1589H4F1	4	6'	Straight	11 x 2 x 2
1589H4G1	4	15'	Straight	11 x 2 x 2
1589H6C1	6	6'	Locking	14 x 2 x 2
1589H6D1	6	15'	Locking	14 x 2 x 2

Part No.	Outlets	Cord Length	Plug Type	Dimensions (inches)
1589H6F1	6	6'	Straight	14 x 2 x 2
1589H6G1	6	15'	Straight	14 x 2 x 2
1589H8C1	8	6'	Locking	17 x 2 x 2
1589H8D1	8	15'	Locking	17 x 2 x 2
1589H8F1	8	6'	Straight	17 x 2 x 2
1589H8G1	8	15'	Straight	17 x 2 x 2

## General Accessories

### Outlet Strips



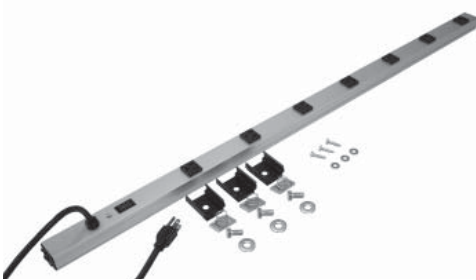
Part No.	Outlets	Cord Length	Dimensions (inches)
1584T4DH6	4	6'	11 x 2 x 2
1584T4DH	4	12'	11 x 2 x 2
1584T6DH6	6	6'	14 x 2 x 2
1584T6DH	6	12'	14 x 2 x 2
1584T8DH6	8	6'	17 x 2 x 2
1584T8DH	8	12'	17 x 2 x 2

### 15 Amp - Medical Grade Outlet Strips

- Featuring a sturdy aluminum extruded case with a distinctive black powder paint coated steel cover.
- Designed to meet the special requirements for institutional and chronic care use.
- With "Hospital Grade" white receptacles, line cord and plug.
- Exceeds NEMA requirements for low leakage ground return and for withstanding impact or continuous physical shock without loss of grounding path continuity when plugged into properly grounded source receptacles.
- An additional grounding stud is provided on the case for any further external grounding requirements.
- Heavy duty 14 gauge cord - 14/3 SJT for extreme temperature ranges and integral clear molded "Hospital Grade" plug.
- Complete with a 15 amp, 125 volt resettable circuit breaker to prevent accidental line overload.
- Mounting feet (with keyhole slots) allow temporary work station mounting if desired.
- CSA certified, Standards C22.2 (No. 21-95 and No. 42-99), CSA Cord Sets No. 8 (Hospital Grade Powerbars).
- TUVus certified to UL60601-1 (medical grade) and UL 1363 (relocatable power taps).

General Accessories

Outlet Strips



### 15 AMP Vertical Outlet Strip

- 1 5/8" X 1 3/8" aluminum profiles.
- Heavy 14 gauge wire cord - 14/3 SJTW for extreme temperature ranges and integral molded plug.
- UL Listed Standard UL1363 - file # E166039
- CSA certified Standards C22.2 (No. 21-95 and 42-99)
- Rated for 15 Amps @ 120V.
- Mounting clips are included for easy mounting to Amhal struts in any location. Replacement clips are available.
- Complete with 6 or 15 foot cord.
- Solid aluminum extrusion.
- 6 to 12 outlet units available

### Extra Mounting Clips

Part No.	1585CLIP
----------	----------

Part No.	No. of Outlets	Length (Inches)	On/Off Switch	Cord Length	Cord Type
15851H6A1	6	18	Yes	6'	Straight
15851H6B1	6	18	Yes	15'	Straight
15854H7A1	7	42	Yes	6'	Straight
15854H7B1	7	42	Yes	15'	Straight
1585H8A1	8	48	Yes	6'	Straight
1585H8B1	8	48	Yes	15'	Straight
1586H10A1	10	60	Yes	6'	Straight
1586H10B1	10	60	Yes	15'	Straight
1587H10A1	10	70	Yes	6'	Straight
1587H10B1	10	70	Yes	15'	Straight
1588H12A1	12	77	Yes	6'	Straight
1588H12B1	12	77	Yes	15'	Straight
15851T6A1	6	18	No	6'	Straight

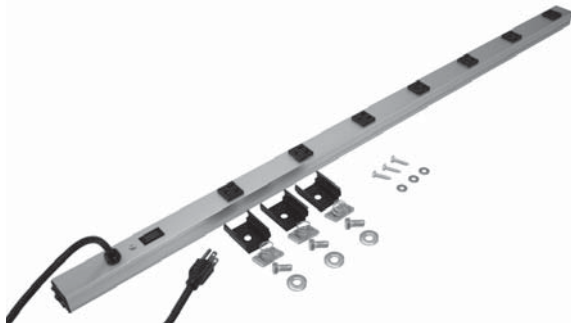
Part No.	No. of Outlets	Length (Inches)	On/Off Switch	Cord Length	Cord Type
15851T6B1	6	18	No	15'	Straight
15853T6A1	6	36	No	6'	Straight
15853T6B1	6	36	No	15'	Straight
15854T7A1	7	42	No	6'	Straight
15854T7B1	7	42	No	15'	Straight
1585T8A1	8	48	No	6'	Straight
1585T8B1	8	48	No	15'	Straight
1586T10A1	10	60	No	6'	Straight
1586T10B1	10	60	No	15'	Straight
1587T10A1	10	70	No	6'	Straight
1587T10B1	10	70	No	15'	Straight
1588T12A1	12	77	No	6'	Straight
1588T12B1	12	77	No	15'	Straight

Technical references and CAD downloads available at [www.hammondmfg.com](http://www.hammondmfg.com)

All dimensions in inches unless specified otherwise

## General Accessories

### General Accessories



### Extra Mounting Clips

Part No. **1585CLIP**

### 20 AMP Vertical Outlet Strip

- Construction same as 1585 series with:
  - 12 gauge wire
  - Rated for 20 AMP @ 125V
  - Plug types available are Nema L5-20P locking or Nema 5-20P straight blade.

Part No.	No. of Outlets	Length (Inches) <sup>1</sup>	Switch	Cord Length	Cord Type
1589T36C1	6	36"	No	6'	Locking
1589T36F1	6	42"	No	6'	Straight
1589T48C1	8	48"	No	6'	Locking
1589T48F1	8	48"	No	6'	Straight
1589T60C1	10	60"	No	6'	Locking
1589T60F1	10	60"	No	6'	Straight
1589T70C1	10	70"	No	6'	Locking
1589T70F1	10	70"	No	6'	Straight
1589T77C1	12	77"	No	6'	Locking
1589T77F1	12	77"	No	6'	Straight



### Remote Receptacle

- 125V/15A max. receptacle
- mounts to 35mm DIN rail (not included)
- 3.6"H x 2.4"W x 1.9"D
- CE, UL/cUL component recognized

Part No. **SSD03504001**



### Gland Plates

- 14 gauge mild steel gland plate allows for easy cable entry into enclosure
- Maintains NEMA 12, 4 rating
- Hardware and cutout template included
- Available in ANSI 61 Gray and RAL 7035 Light Gray



Part No.	Finish	Height	Width	Fits Opening		Ship Wt. lbs.
				Height	Width	
GP063LG	RAL 7035 Light Gray	6.31	2.75	5.06	1.5	3
GP134LG	RAL 7035 Light Gray	13.00	3.56	11.75	2.31	3
GP136LG	RAL 7035 Light Gray	13.38	5.88	12.13	4.63	4
GP216LG	RAL 7035 Light Gray	20.88	5.88	19.63	4.63	5
GP063GY	ANSI 61 Gray	6.31	2.75	5.06	1.5	3
GP134GY	ANSI 61 Gray	13.00	3.56	11.75	2.31	3
GP136GY	ANSI 61 Gray	13.38	5.88	12.13	4.63	4
GP216GY	ANSI 61 Gray	20.88	5.88	19.63	4.63	5

# General Accessories

## Light Kits

General Accessories

Light Kits



### Stack Lights

- Modular design for all indoor and outdoor applications.
- Provides warning signals and displays machine status.
- High level of protection against electric shock with IP 54 rating.
- Separate components for easy ordering to suit every installation application.

### Base and Tubes

Part No.	Description	L1	L2	Ship Wt lbs
PBR50BC	Base and End Module	-	-	5
PBR50S100	Tubular Stand/Plinth	88mm(3.46in)	-	5
PBR50S250	Tubular Stand/Plinth	238mm (9.37in)	-	5
PBR50T100	Threaded tubular stand/bracket	-	78mm (3.07in)	5
PBR50T250	Threaded tubular stand/bracket	-	228mm (8.98in)	5
PBR50T400	Threaded tubular stand/bracket	-	378mm (14.13in)	5

### Modules

Part No.	Description	Ship Wt lbs
PBR50CLCL	Continuous beam module, transparent	1
PBR50CLYE	Continuous beam module, yellow	1
PBR50CLAM	Continuous beam module, amber	1
PBR50CLRE	Continuous beam module, red	1
PBR50CLGR	Continuous beam module, green	1
PBR50CLBL	Continuous beam module, blue	1
PBR50BLYE24V	Blinking module, yellow	1
PBR50BLRE24V	Blinking module, red	1
PBR50BLGR24V	Blinking module, green	1

### Gaskets, Bulbs and Accessories

Part No.	Description	Ship Wt lbs
PBR50MG	Replacement gasket for light module + base module	1
PBR50TG	Replacement gasket for mounting tube with plinth	1
PBR50BG	Replacement gasket for direct mounting IP 65	1
PBR50LED24	LED light bulb 24V/BA15d	1
PBR50LED115	LED light bulb 115V/BA15d	1
PBR50L24	Light bulb 24V DC/BA15d 7W	1
PBR50L115	Light bulb 115V DC/BA15d 7W	1
PBR50LS	Bulb Remover / Installer	1
PBR50EXT	Stacklight Extension	2

### How to Order:

Tubular Stand/Plinth	
Sample Order	Part Number
1x base & end module	PBR50BC
1 x stand with plinth 250mm	PBR50S250
1x continuous beam module, red	PBRCLRE
1x continuous beam module yellow	PBR50CLYE
1x continuous beam module green	PBR50CLGR
3x light bulb 24V/7W	PBR50L24

Direct Mounting	
Sample Order	Part Number
1x base & end module	PBR50BC
1 x continuous beam module, green	PBR50CLGR
1x continuous beam module, red	PBR50CLRE
1x continuous beam module clear	PBR50CLCL
1x continuous beam module amber	PBR50CLAM
1x continuous beam module blue	PBR50CLBL
5x light bulb 24V/7W	PBR50L24

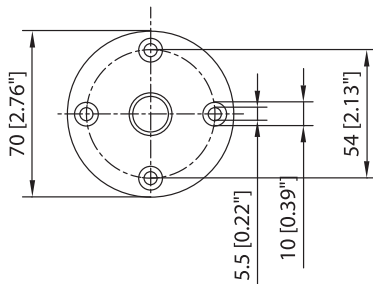
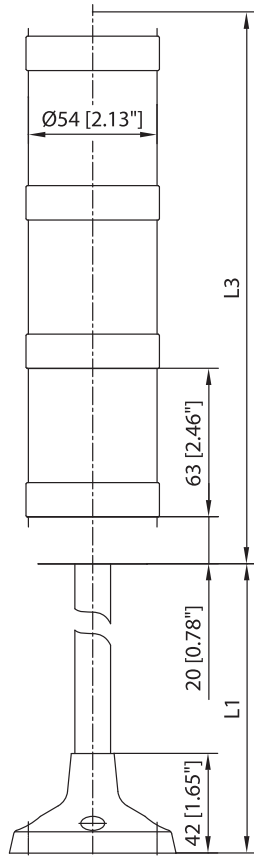
Threaded Tubular Stand/Bracket	
Sample Order	Part Number
1x base & end module	PBR50BC
1 x continuous beam module, red	PBR50CLRE
1x continuous beam module, clear	PBR50CLCL
1x continuous beam module, amber	PBR50CLAM
1x threaded tubular stand with bracket	PBR50T250
3x light bulb 24V/7W	PBR50L24

Technical references and CAD downloads available at [www.hammondmfg.com](http://www.hammondmfg.com)

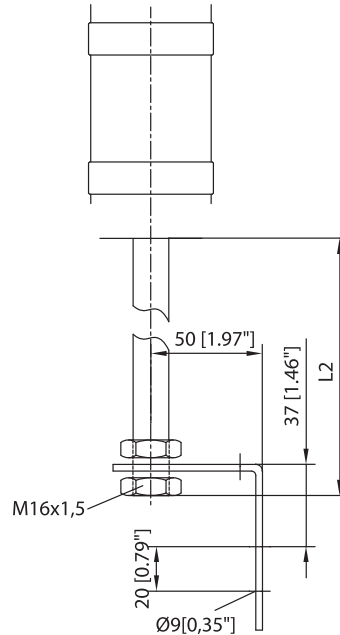
All dimensions in inches unless specified otherwise

# General Accessories

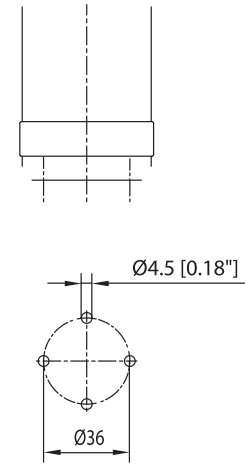
## Light Kits



**Tubular Stand/Plinth**



**Threaded Tubular Stand/Bracket**



**Direct Mounting**

Part No.	L3
Single module	107mm (4.21in)
2 modules	170mm (6.69in)
3 modules	233mm (9.17in)
4 modules	296mm (11.65in)
5 modules	359mm (14.13in)

**Other Data**

- Protection Rating:** IP 54
- Operating Temperature:** -25° C to + 45° C
- Relative Humidity:** 90%
- Installation:**
  - Vertical or horizontal
  - Mounting stand, tube mounting or direct mounting
- Accessories:**
  - Gasket for light module + basic module IP 65
  - Gasket for tubular stand on plinth IP 65
  - Gasket for direct mounting IP 65
- Weight of Plinth:**
  - Wall bracket with hood
  - Stand mounting (w/o module): approx. 220g
  - Tube mounting (w/o module): approx. 200g
  - Direct mounting (w/o module): approx. 180g

**Materials:** Modular: polycarbonate, Plinth: ABS, Tube: stainless steel

Modular Data:	Continuous Beam	Blinking Light
Module Colors:	yellow, red, green, amber, blue, transparent	yellow, red, green
Module Stages:	Max. 5	Max. 5
Angle of Beam:	360°	360°
Percentage Duty Cycle:	100%	100%
Rated Power, max:	7W	7W
Rated Power with 5 stages:	5W	5W
Lamp Socket:	BA 15 d	BA 15 d
Service life of light bulb/tube:	approx. 1500h	approx 1500h
AC Voltage Rating:	230 V, 50/60 Hz, -15% to +10%	230 V, 50/60 Hz, -15% to +10%
Current Capacity Rating:	0.035 A	0.08 A
DC Voltage Rating:	24 V, -15%to + 20%	24 V, -15%to + 20%
Current Capacity Rating:	0.3 A	0.25 A

General Accessories  
Light Kits

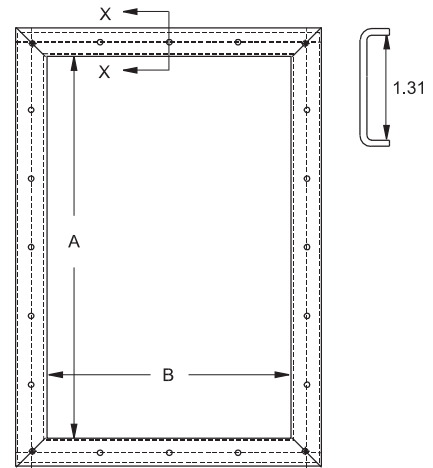


# General Accessories

## Window Kits

### Steel and Stainless Steel Window Kits

- Designed to maintain environmental protection level of Type 4, 4X (for stainless steel) as noted
- Window is 0.25" thick, UV resistant Polycarbonate.
- Frame is heavy gauge steel, or 304 stainless steel with integral weld studs and compression clips.
- Oil resistant neoprene gasket ensures a watertight seal.
- Finished in gray or natural brushed stainless steel.



Part No.	Material	Window Dimensions		Recommended Cut-Out Size	
		A	B		
1481WN40503 <sup>1</sup>	Steel	5	3.0	6.69	4.69
1481WN40905 <sup>1</sup>	Steel	9	5.5	10.69	7.19
1481WN41303 <sup>1</sup>	Steel	13	3.0	14.69	4.69
1481WN41308 <sup>1</sup>	Steel	13	8.0	14.69	9.69
1481WN41705 <sup>1</sup>	Steel	17	5.5	18.69	7.19
1481WN41711 <sup>1</sup>	Steel	17	11.0	18.69	12.69
1481WN42315 <sup>1</sup>	Steel	23	15.0	24.69	16.69
1481WN42919 <sup>1</sup>	Steel	29	19.0	30.69	20.69
1481WN43523 <sup>1</sup>	Steel	35	23.0	36.69	24.69
1481WN4SS0503 <sup>2</sup>	Stainless Steel	5	3.0	6.69	4.69
1481WN4SS0905 <sup>2</sup>	Stainless Steel	9	5.5	10.69	7.19
1481WN4SS1308 <sup>2</sup>	Stainless Steel	13	8.0	14.69	9.69
1481WN4SS1711 <sup>2</sup>	Stainless Steel	17	11.0	18.69	12.69
1481WN4SS2315 <sup>2</sup>	Stainless Steel	23	15.0	24.69	16.69
1481WN4SS2919 <sup>2</sup>	Stainless Steel	29	19.0	30.69	20.69

<sup>1</sup> UL/ CSA Type 12 and Type 4

<sup>2</sup> UL/ CSA Type 12, Type 4 and Type 4x



### Frameless Window Kits

- Designed for indoor use on Type 12 and 13 enclosures.
- Scratch resistant polycarbonate window is 0.25 inches thick.
- Double sided tape is on the window for easy installation.
- Mounting hardware and template are included.



Part No.	Window Dimensions		Maximum Cut-Out Size	
	A	B		
1481WFL52	5.50	3.00	4.50	2.00
1481WFL133	13.88	3.88	12.88	2.88
1481WFL96	9.62	7.19	8.62	6.19



Technical references and CAD downloads available at [www.hammondmfg.com](http://www.hammondmfg.com)

All dimensions in inches unless specified otherwise

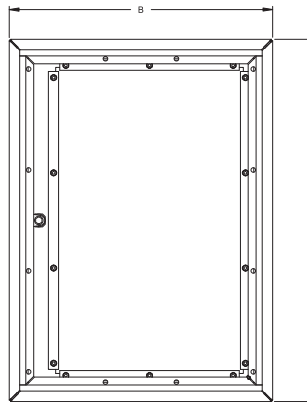


## General Accessories Window Kits

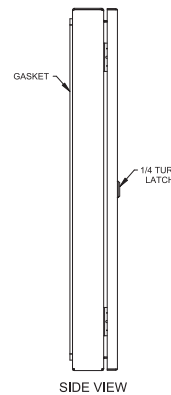


### NEMA 4 Deep Hinged Window Kits

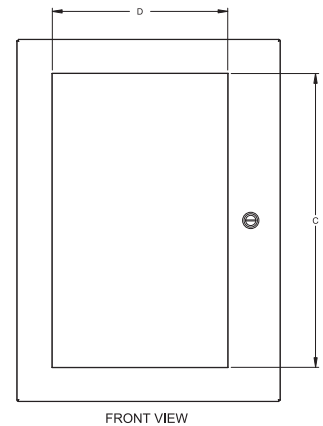
- Extra deep kits are designed to provide protection and easy access to components and equipment installed inside an enclosure.
- Maintain environmental protection level of Type 4, 4X and 12 as noted
- Frame is 14 gauge mild steel or 316L stainless steel.
- Quarter turn latch for easy access.
- 2.5 inches of extra usable depth
- Oil resistant neoprene gasket ensures a watertight seal.
- Can be either left or right hand hinged.
- Window is 0.25" thick, UV Resistant Polycarbonate.
- Conveniently sized to allow mounting on the door of any Hammond Wallmount Series enclosure, or in any other Hammond enclosure with a suitable mounting surface.
- Mounting hardware and template are included.



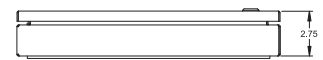
BACK VIEW



SIDE VIEW



FRONT VIEW



BOTTOM VIEW

Part No.	Material	Overall Dimensions		Viewing Area			Latch Qty	Recommended Cut-Out Size	
		A	B	C	D	E			
1481WDH1418 <sup>1</sup>	Steel	12.19	14.56	8.00	9.17	2.75	1	9.19	11.56
1481WDH1612 <sup>1</sup>	Steel	14.19	8.14	10.00	2.75	2.75	1	11.19	5.14
1481WDH2016 <sup>1</sup>	Steel	18.19	12.14	14.00	6.75	2.75	1	15.19	9.14
1481WDH2416 <sup>1</sup>	Steel	22.19	12.14	18.00	6.75	2.75	1	19.19	9.14
1481WDH2420 <sup>1</sup>	Steel	22.19	16.14	18.00	10.75	2.75	1	19.19	13.14
1481WDH2430 <sup>1</sup>	Steel	22.19	26.14	18.00	20.75	2.75	1	19.19	23.14
1481WDH3024 <sup>1</sup>	Steel	28.19	20.14	24.00	14.75	2.75	2	25.19	17.14
1481WDH3624 <sup>1</sup>	Steel	34.19	20.14	30.00	14.75	2.75	2	31.19	17.14
1481WSSDH1418 <sup>2</sup>	Stainless Steel	12.19	14.56	8.00	9.17	2.75	1	9.19	11.56
1481WSSDH1612 <sup>2</sup>	Stainless Steel	14.19	8.14	10.00	2.75	2.75	1	11.19	5.14
1481WSSDH2016 <sup>2</sup>	Stainless Steel	18.19	12.14	14.00	6.75	2.75	1	15.19	9.14
1481WSSDH2416 <sup>2</sup>	Stainless Steel	22.19	12.14	18.00	6.75	2.75	1	19.19	9.14
1481WSSDH2420 <sup>2</sup>	Stainless Steel	22.19	16.14	18.00	10.75	2.75	1	19.19	13.14
1481WSSDH2430 <sup>2</sup>	Stainless Steel	22.19	26.14	18.00	20.75	2.75	1	19.19	23.14
1481WSSDH3024 <sup>2</sup>	Stainless Steel	28.19	20.14	24.00	14.75	2.75	2	25.19	17.14
1481WSSDH3624 <sup>2</sup>	Stainless Steel	34.19	20.14	30.00	14.75	2.75	2	31.19	17.14

<sup>1</sup> UL/ CSA Type 12 and Type 4

<sup>2</sup> UL/ CSA Type 12, Type 4 and Type 4x

Technical references and CAD downloads available at [www.hammondmfg.com](http://www.hammondmfg.com)

All dimensions in inches unless specified otherwise

**Quality Products. Service Excellence.**

# General Accessories

## General Accessories

General Accessories



Installed

### Drip Shield Kit

- Easily installed on Type 12, 4 and 4X wall-mount enclosures using stainless steel bolts and sealing washers (included).
- Designed not to interfere with door clamps.
- Protects door from dripping water and settling dust.
- Constructed in 14 gauge mild steel (painted) or 316 stainless steel
- Maintains enclosure rating



Painted Steel (Gray) Part Number	Painted Steel (Lt. Gray) Part Number	Stainless Steel Part Number	Fits Enclosure Width (inches)
DK12GY	DK12LG	DK12S16	12.00
DK16GY	DK16LG	DK16S16	16.00
DK20GY	DK20LG	DK20S16	20.00
DK24GY	DK24LG	DK24S16	24.00
DK30GY	DK30LG	DK30S16	30.00
DK36GY	DK36LG	DK36S16	36.00
DK42GY	DK42LG	-	42.00
DK48GY	DK48LG	-	48.00
DK60GY	DK60LG	-	60.00
DK72GY	-	-	72.00



### Ground Wire Kits

- Stranded #10 gauge copper wire with ring terminal .256 dia hole
- Includes mounting nuts both 1/4 20 and 10-32 ground studs
- Ground symbols (2 for each jumper)

Part No.	Description
GRDKIT01	Quantity 2
GRDKIT02	Quantity 6



### Door Support Guide

- Designed for use when heavy loads or uneven mounting surfaces changes door alignment
- Field installable kit
- Can be used on Hammond Eclipse and 1418 Series wall mount enclosures, all freestanding and floor mount enclosures - both painted and stainless steel
- Kit includes all necessary hardware and installation instructions
- Sealing washers included maintain enclosure integrity

Part No.	DSG1
----------	------

